

SPECIFICATION: (example)

(FOR WALL HUNG, BACK INLET URINAL FIXTURE)

- Quiet action, TECK® concealed diaphragm flush valve
- Chloramine resistant diaphragm
- Forged brass diaphragm retainer
- Renewable seat
- **External water conserving flush volume adjustment,** factory set to 1.9 litre (0.50 gal.)
- Metal "non hold open" handle actuator
- Vandal resistant handle control can easily be located and installed anywhere within 6m (20') of flush valve
- Standard flush valve will install on all walls zero to 343mm (13-1/2") thick
- **1" FIP/copper sweat inlet adaptor** wheel handle angle check stop
- Adjustable 121mm (4-3/4") plus or minus 11mm (7/16") inlet/valve outlet centers
- Vacuum breaker

FOR 3/4" WALL HUNG, BACK INLET URINAL FIXTURE: (with 3/4" copper sweat adaptor)

- 83T430** with 16mm (5/8") dia. push button
- 83T431** with oscillating handle

OPTIONS: (Add dash number to end product required above.)

- 38 Factory set to 3.8 litre (1.0 gal.), **Not Field Adjustable**
- 19 Factory set to 1.9 litre (0.5 gal.), **Not Field Adjustable**
- 05 Factory set to 0.5 litre (0.125 gal.), **Not Field Adjustable**



Approvals:

- IAPMO listed to CSA B125.3 and ASSE 1037
- Oscillating Lever Handle Indicates compliance to ICC/ANSI A117.1
- Options -19 and -05 are EPA WaterSense listed

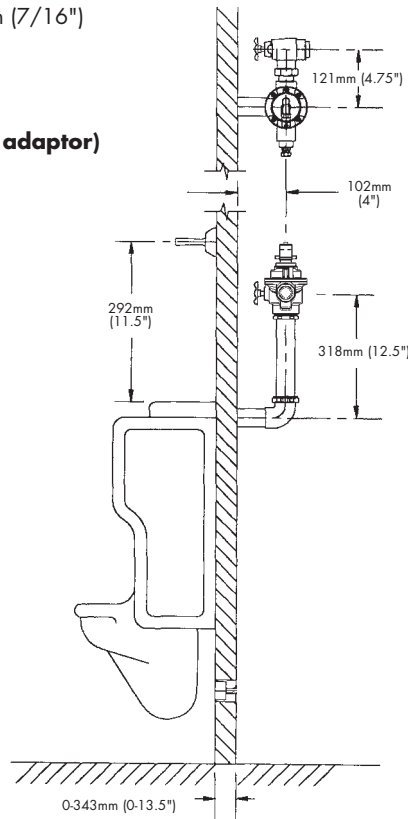
(Contact Delta Representative for State and/or Local Approvals.)

Engineer/Architect Approval	
Model Specified:	
Approval:	Date:

Note: Measurements may vary ± 6mm (0.25")



83T431



Note: For high and low pressure applications, please see page FEA-81T High Water Pressure note for more details. Verify flow requirements with bowl manufacturer.