

83T000

Description

Concealed Flush Valve for Prison Water Closet, 1.5" (38 mm) FIP Back Spud, adjustable flush volume, with 0.875" (16 mm) Dia. Push Button

Specifications

- Flush Volume: Adjustable - Factory Set @ 1.6 gpf (6.0 Lpf)
- Fixture Type: 1.5" (38 mm) FIP water closet, back spud
- Valve Type: Prison - Water closet
- Operation: 0.875" (16 mm) dia. push button

Features

- Quiet action TECK® concealed diaphragm flush valve for smooth and noise-free operation
- Chloramine resistant diaphragm attached to guide with metal retainer, ensuring resistance to corrosive elements
- Diaphragm retainer made of forged brass for superior strength and durability
- Renewable seat for long-lasting durability and ease of maintenance
- Water conserving adjustable flush volume from 1.1 to 6.6 gpf (4.2 to 25 Lpf) for efficient water usage, factory set to 1.6 gpf (6.0 Lpf) for efficient water usage
- Vandal resistant metal "non hold open" 0.875" (16 mm) diameter push-button actuator for reliable and tamper-resistant operation
- Vandal resistant operation control that can be easily located and installed within 20' (6 m) of the flush valve, providing security and accessibility
- Standard flush valve suitable for installation on walls of various thicknesses from 0 to 12.5" (318 mm)
- Equipped with a 1.5" MIP on the outlet tube, specifically designed for prison water closets with a 1.5" FIP back spud, ensuring secure and reliable connections
- Pressure loss check angle stop with wheel handle for convenient control and water flow management
- Adjustable inlet/valve outlet centers of 4.75" ± 0.5" (121 mm ± 13 mm) for flexible installation and precise alignment
- Polished chrome-plated finish on exposed trim for an attractive and corrosion-resistant appearance

Notes

- Flushometer MUST be paired with a fixture of equivalent flush volume.
- When installing, ensure that the distance between the critical level mark & flood level rim meets local codes.
- Flushometer needs to be orientated in a vertical position.
- We strongly recommend that pipe size calculations be done to ensure proper water supply sizes. The minimum supply line diameter is dependent on a number of different factors: water pressure, pipe size and length of pipe run, number of fixtures per washroom and per building, fixture type, fixture usage factor, elevation of valve above the water main, etc.
- Flushometers DO NOT provide a water supply; they are merely automatically-timed self-closing valves. The inlet supply piping is the water reservoir that must supply sufficient water volume in a short period of time (4 to 10 seconds) to properly flush and clear the fixture.



Complies With

- ASSE 1037/ASME A112.1037/CSA B125.37

(Contact Delta Representative for State and/or Local Approvals)

Valve Operating Pressure

- Recommended water supply:
Minimum flowing pressure – 25 psi (172 kPa)
Minimum flow rate – 25 gpm (95 L/min)

NOTICE Dimensions are for reference only. Measurements may vary ± 0.25" (6 mm).
Max. flow rate is at 60 psi (414 kPa).

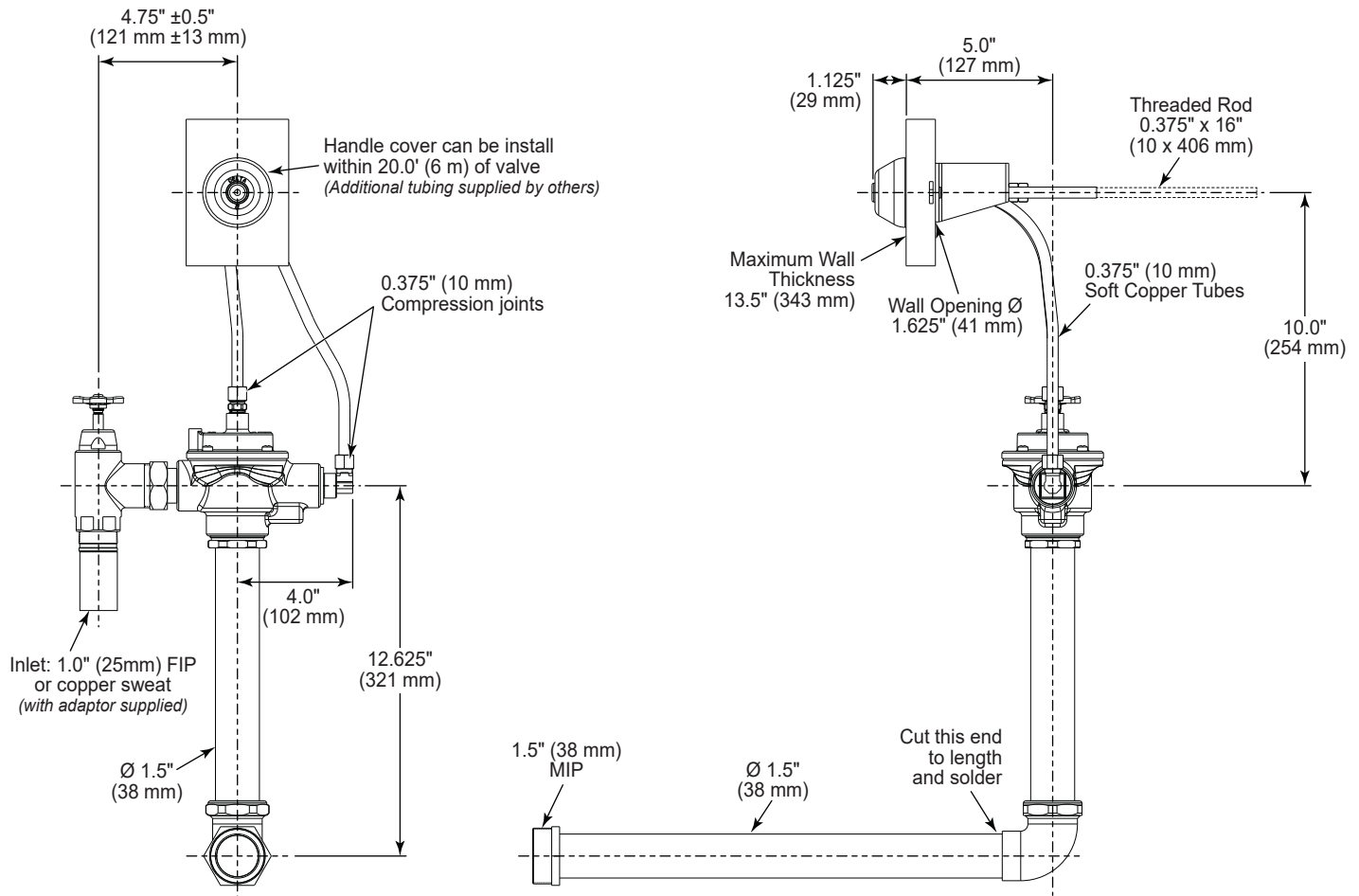
Delta Faucet Company reserves the right (1) to make changes in specifications and materials, and (2) to change or discontinue models, both without notice or obligation. See current full-line price book for finish options and product availability.

Masco Canada Limited
350 South Edgeware Rd, St Thomas, Ontario, Canada N5P 4L1
1-800-387-8277

83T000

This spec was produced on September 13, 2024.

83T000



Teck® flushometer valves are designed to operate at any supply pressure between 20 psi and 125 psi in accordance with ASSE 1037/ASME AI 12.1037/ CSA B125.37. The Teck® flush valve delivers the industry's highest peak flows to enhance bowl scrubbing. At high water pressures, splash out, noise or reduced life of plumbing components may be observed with a few models of water closet or urinal fixtures. To minimize or eliminate these effects, select a different model of water closet or urinal from the same or another manufacturer, or install a pressure reducing valve. If the installation does not allow for either of these options, the control stop adjusting screw may be used to reduce pressure to the valve.

NOTICE Dimensions are for reference only. Measurements may vary $\pm 0.25"$ (6 mm).
Max. flow rate is at 60 psi (414 kPa).

Masco Canada Limited
350 South Edgeware Rd, St Thomas, Ontario, Canada N5P 4L1
1-800-387-8277

83T000

Delta Faucet Company reserves the right (1) to make changes in specifications and materials, and (2) to change or discontinue models, both without notice or obligation. See current full-line price book for finish options and product availability.

This spec was produced on September 13, 2024.