

# Electronic Exposed TECK® Flush Valve Retrofit Kits

**TECK**  
COMMERCIAL

**DELTA**

## 81TWCBTRKA

### Exposed Battery Operated Retrofit Kit for Water Closet

- Polished chrome-plated vandal resistant metal cover with top mounted sensor operated **H<sub>2</sub>Oprics**® electronics
- Right or left-hand supply installation
- Automatic operation battery powered infrared sensor
- Scratch resistant replaceable lens window
- Four (4) size AA alkaline batteries factory installed with valve in sleep mode for easy installation
- Hinged battery housing for easy maintenance
- Low battery flashing light (5000 flushes remaining) with battery strength indicator
- Supplied with an advanced infrared sensor activated flush system that uses precise user distance measurements along with a bowl length setting to activate the correct flush for each usage
- Optional 24 hour automatic flush factory set to OFF
- Set-up sensor range adjustment indicator lights
- 6 VDC input, 6 second arming delay
- Electronic operated non-hold-open **metal** override button with 5 second lockout
- Quiet action, TECK® exposed diaphragm flush valve
- Chloramine resistant diaphragm
- Diaphragm retainer
- Renewable seat
- **External water conserving flush adjustment**, factory set to 6 litre (1.6 gal.) (except -48 and -6 models)
- Handle-end plug
- **Recommended water supply:**  
Minimum flowing pressure – 25 psi (172 kPa)  
Minimum flow rate – 25 gpm (95 L/min)

## 81TWCBTRKA-6

Same as 81TWCBTRKA, but **Not Field Adjustable**

Patented

### Engineer/Architect Approval

Model Specified:

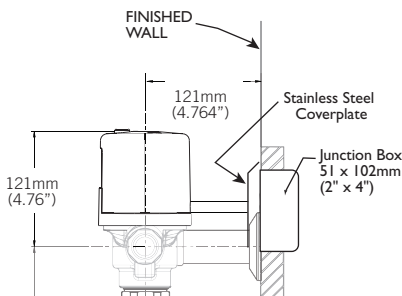
Approval:

Date:

## 81TWCBTRKA

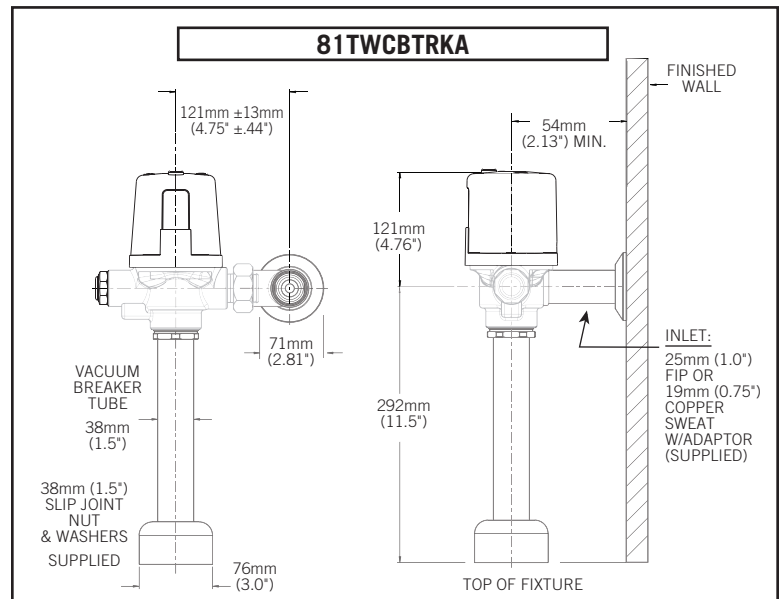


**Note:** For **Hardwire** order **061069A** Hardwire Kit (includes 24 VAC to 6.4 VDC Converter, Vandal Resistant copper tube conduit and 2 x 4" Junction Box). Transformer ordered separately.



Note: Measurements may vary ± 6mm (0.25")

Refer to [www.specselect.com](http://www.specselect.com) for individual models.



Note: For high and low pressure applications, please see page FEA-81T High Water Pressure note for more details.  
Verify flow requirements with bowl manufacturer.

Note: Use this page as a product submittal sheet.