

Electronic Exposed TECK® Flush Valves

**TECK®
COMMERCIAL**



81T231BTA

- Exposed Battery Operated 3/4" Top Inlet Urinal Fixture

- Polished chrome plated vandal resistant metal cover with top mounted sensor operated H₂O PTICS® electronics
- Right or left-hand supply installation
- ADA compliant, automatic operation battery powered infrared sensor
- Scratch resistant replaceable lens window
- Four (4) size AA alkaline batteries factory installed with valve in sleep mode for easy installation
- Hinged battery housing for easy maintenance
- Low battery flashing light (5000 flushes remaining) with battery strength indicator
- Infrared sensor range adjustment of 457mm-914mm (18" - 36"), factory set at 28" (±2")
- Optional 24 hour automatic flush factory set to ON
- Set-up sensor range adjustment indicator lights
- 6 VDC input, 8 second arming delay
- Electronic operated non-hold-open **metal** manual override button with 5 second lockout
- Quiet action, TECK® exposed diaphragm flush valve
- Chloramine resistant diaphragm
- Forged brass diaphragm retainer
- Renewable seat
- Polished chrome plated finish
- **External water conserving flush adjustment**, factory set at 60 PSI to 1.9 litre (.50 US gal.)
- **1" FIP / 3/4" copper sweat inlet adaptor**, angle check stop with protecting cap
- Adjustable 121mm (4-3/4") plus or minus 11mm (7/16") inlet/valve outlet centers
- Vacuum breaker
- Cover tube, stainless steel wall flange, spud flange, spud nut, and 330mm (13") outlet tube.

81T231BTA-38

Same as 81T231BTA, but set at 60 PSI to 3.8 litre (1.0 US gal),
Not Field Adjustable

81T231BTA-19

Same as 81T231BTA, **Not Field Adjustable**

81T231BTA-05

Same as 81T231BTA, but set at 60 PSI to 0.5 litre (0.13 US gal),
Not Field Adjustable

Electronic Exposed TECK® II Flush Valve Retrofit Kits

81T231BTA-20

Same as 81T231BTA, but LESS stop, cover tube and wall flange

81T231BTA-20-38

Same as 81T231BTA-20, but set at 60 PSI to 3.8 litre (1.0 US gal),
Not Field Adjustable

81T231BTA-20-19

Same as 81T231BTA-20, **Not Field Adjustable**

81T231BTA-20-05

Same as 81T231BTA-20, but set at 60 PSI to 0.5 litre (0.13 US gal),
Not Field Adjustable

Note: Measurements may vary ± 6mm (0.25")

Refer to www.specselect.com for individual models.

Approvals:

- CSA certified
- Complies to ASSE 1037
- ADA Compliant and meets Handicapped Accessibility Standard ASME A117.1 of less than 5 lbs. operating force.
- IAPMO listed

(Contact Delta Representative for State and/or Local Approvals.)

U.S. Patent # 6, 826, 455

Other Patents Pending



Engineer/Architect Approval

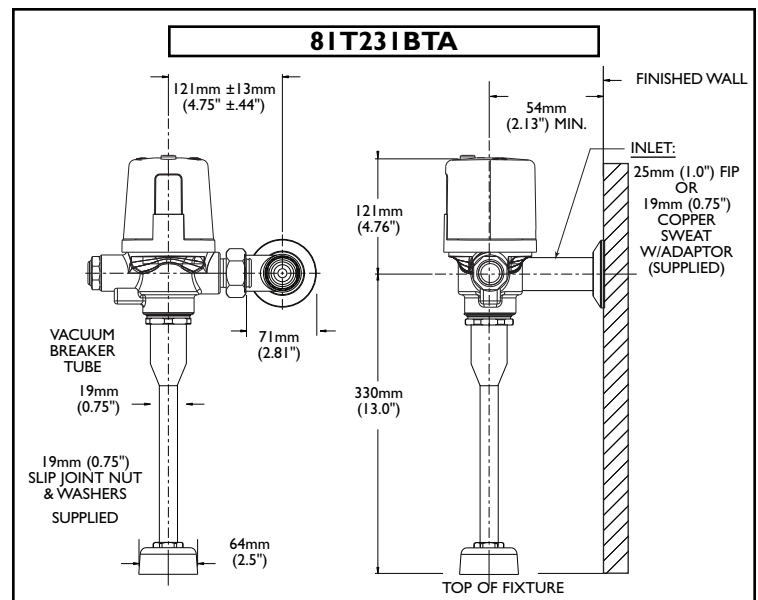
Model Specified:

Approval:

Date:



81T231BTA



Note: For high and low pressure applications, please see page FEA-81T High Water Pressure note for more details. Verify flow requirements with bowl manufacturer.

Note: Use this page as a product submittal sheet.