




Flush Valves

Flush valve for 1-1/2" top spud water closet
maximum 11-1/2" or 11 3/4" height (c/l of inlet to base
of outlet)

Model No: 81T201-5

COMPLIES WITH:

-  Indicates compliance to ICC/ANSI A117.1
- IAPMO listed to ASSE 1037/ASME A112.1037/ CSA B125.37
- (Contact Delta Representative for State and/or Local Approvals)



SPECIFICATION:

- Quiet action, Teck® exposed diaphragm flush valve
- Right or left-hand supply installation
- Chloramine resistant diaphragm
- Diaphragm retainer
- Renewable seat
- Vacuum breaker
- For Water Closets with 1-1/2" top spud
- Maximum 292mm(11 1/2") from centerline of valve inlet to top of water closet, except -1 trap seal models which are maximum 11 3/4"
- 1" FIP/Copper sweat inlet adaptor for angle check stop with protecting cap
- Adjustable 121mm (4.75") plus or minus 11mm (7/16") inlet/valve outlet centers
- Cover tube and S/S wall flange
- External water conserving flush adjustment: Factory set to 6 Litre(1.6 Gal.) - Field Adjustable from 4.8L to 25L (1.27 to 6.6 Gal.)
- With Center Cover Bumper - for seat with cover

OPERATION:

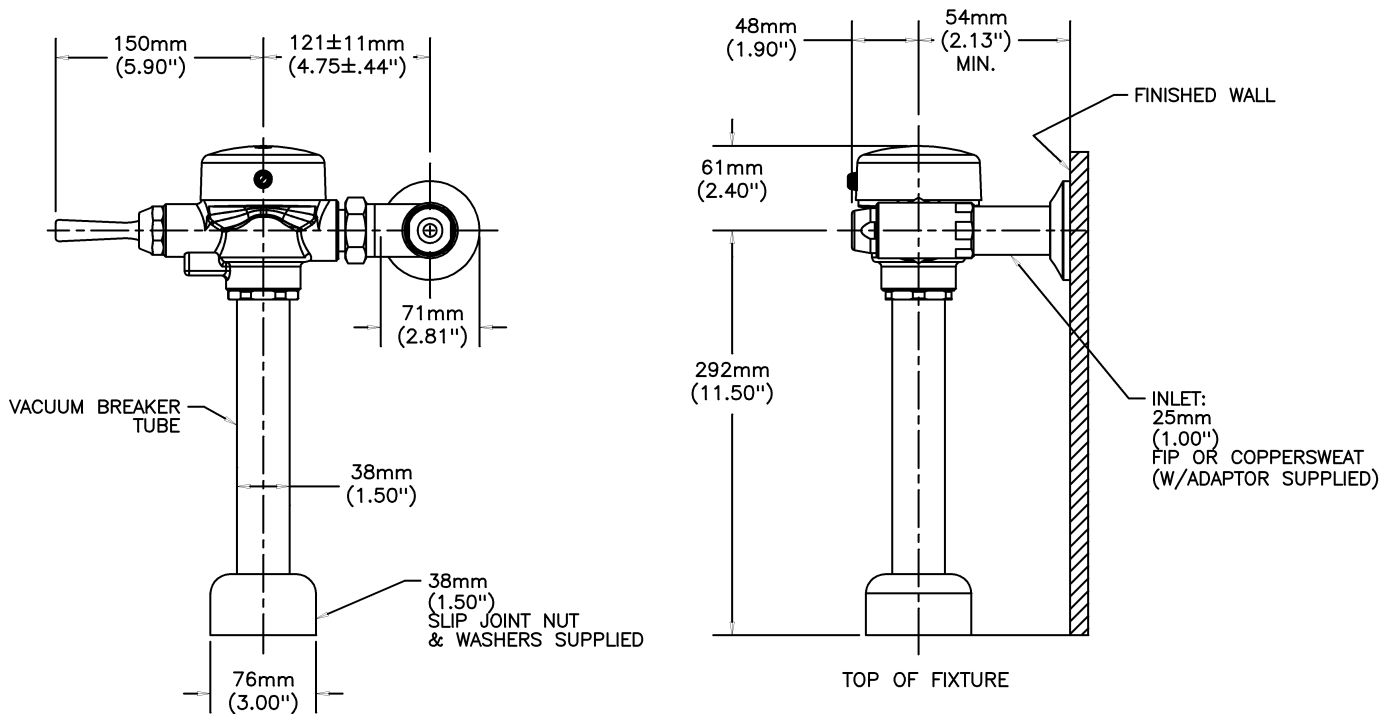
- **Recommended water supply:**
Minimum flowing pressure – 25 psi (172 kPa)
Minimum flow rate – 25 gpm (95 L/min)

(Dimensional drawing on following page)

Delta reserves the right (1) to make changes to specifications and materials, and (2) to change or discontinue models, both without notice or obligation. Dimensions are for reference. Measurement may vary plus or minus 6mm(0.25"). Mounting locations are suggested only. Check with local codes for requirements in your area. This spec was produced April 14, 2021.

Delta Faucet Company - 55 East 111th St. - Indianapolis, Indiana, USA 46280 - (317) 848-1812
Delta Faucet Canada - 395 Matheson Blvd E - Mississauga, Ontario, Canada L4Z 2H2 - (905) 712-3030

Teck® flushometer valves are designed to operate at any supply pressure between 20 psi and 125 psi in accordance with ASSE 1037/ASME A112.1037/ CSA B125.37. The Teck® flush valve delivers the industry's highest peak flows to enhance bowl scrubbing. At high water pressures, splash out, noise or reduced life of plumbing components may be observed with a few models of water closet or urinal fixtures. To minimize or eliminate these effects, select a different model of water closet or urinal from the same or another manufacturer, or install a pressure reducing valve. If the installation does not allow for either of these options, the control stop adjusting screw may be used to reduce pressure to the valve.



Delta reserves the right (1) to make changes to specifications and materials, and (2) to change or discontinue models, both without notice or obligation. Dimensions are for reference. Measurement may vary plus or minus 6mm(0.25"). Mounting locations are suggested only. Check with local codes for requirements in your area. This spec was produced April 14, 2021.