



# Teck® II Exposed Flushometer

Record model number:

**81T2 1-**

**Valve Type**

- 0 = W/C (Water Closet)
- 2 = W/C - 22" outlet tube
- 3 = Urinal
- 6 = W/C - 24" outlet tube
- 7 = W/C - 22" back spud

**Trap Primer**

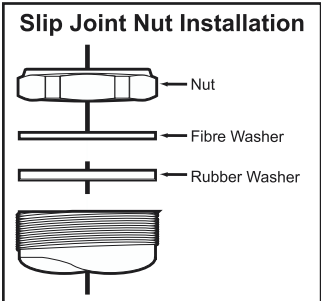
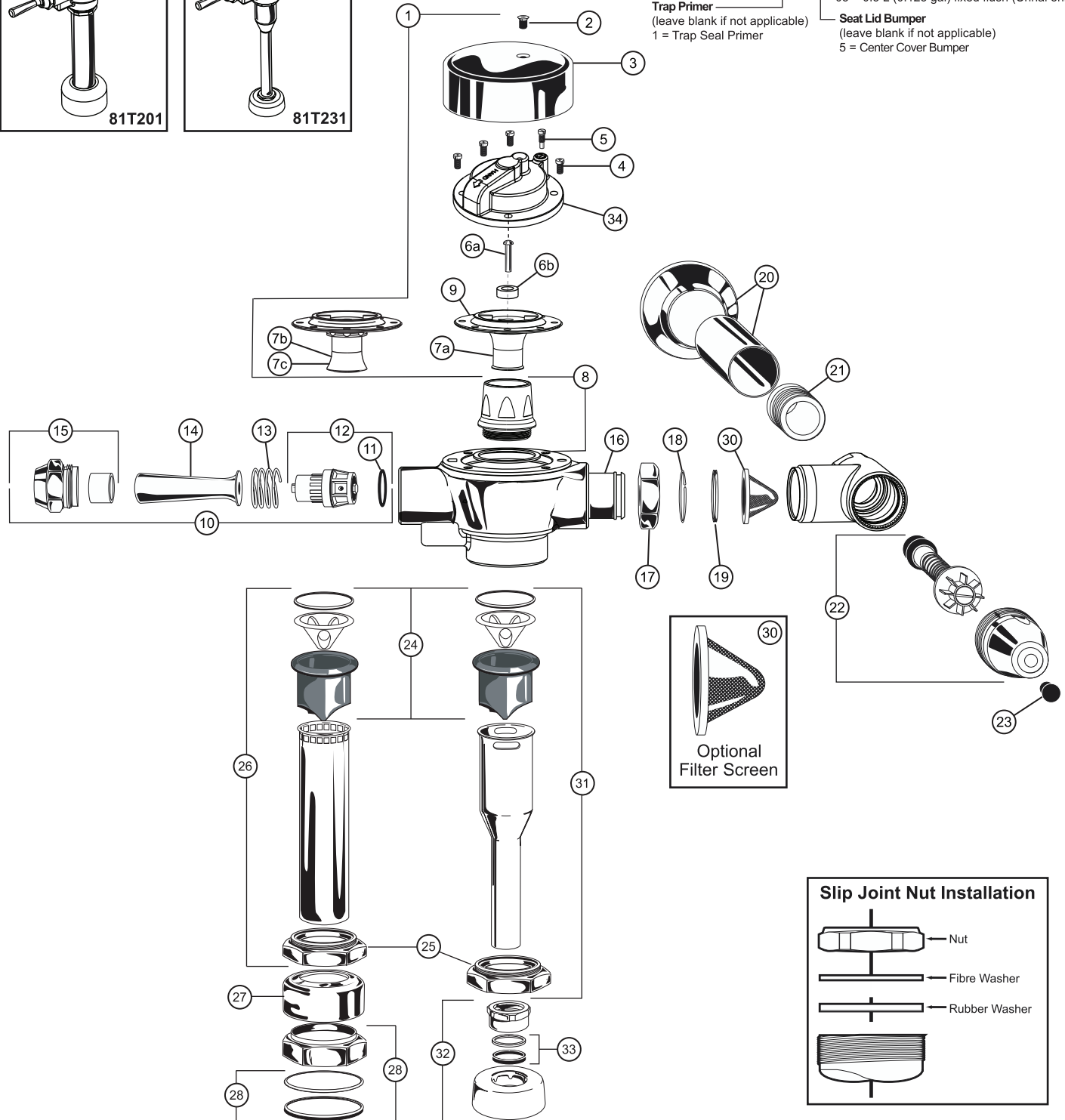
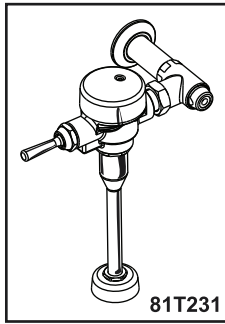
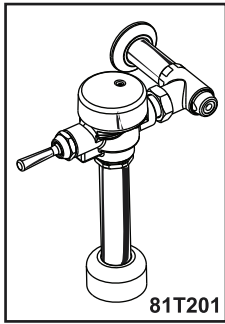
- (leave blank if not applicable)
- 1 = Trap Seal Primer

**Alternate Flush Volumes**

- (leave blank if not applicable)
- 6 = 6 L (1.6 gal) fixed flush (W/C only)
- 48 = 4.8 L (1.27 gal) fixed flush (W/C only)
- 42 = 4.2 L (1.1 gal) fixed flush (W/C only)
- 19 = 1.9 L (0.5 gal) fixed flush (Urinal only)
- 05 = 0.5 L (0.125 gal) fixed flush (Urinal only)

**Seat Lid Bumper**

- (leave blank if not applicable)
- 5 = Center Cover Bumper



**PLEASE LEAVE this M&I Sheet with the owner, maintenance plumber, etc. as items relating to ongoing maintenance suggestions and procedures are included.**

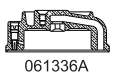
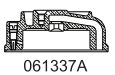
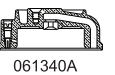
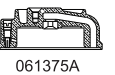
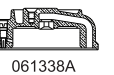
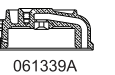
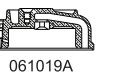

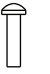


Item #	Part #	Description
	060799A	Universal Teck Washer & O-Ring Repair Kit
	061025A	Universal Teck Parts Washer & O-Ring Repair Kit
1	061213A 061214A 061215A	WC Retrofit Kit Complete (includes cover, cap, WC diaphragm/guide assembly & poppet pin) UR Retrofit Kit Complete (includes cover, cap, UR diaphragm/guide assembly & poppet pin) Non Hold Open Retrofit Complete (includes cover, cap, diaphragm/guide assembly & piston) (pre 2011 seat only)
2	060076A* 060441A	Cover Screws & 060441A Bit Package No. 3 Scrulux 8 Drive Bit for above
3	060077A 060505A 061023A	Cover & Screw (for Non-Hold Open Model as shown) Cover with Bumper for Seat Lid Cover, Cap & Screw
4	061024A	Regulating Screw & O-Ring
5	060078A*	Screws for Cast Cap (4/pkg)
6a	060507A*	Poppet Pin Pack (3/pkg) (see Table 1)
6b	062025A**	Washer (3/pkg) (see Table 1)
7a	061323A**	Diaphragm/Guide Assembly Complete - W/C (see Table 1)
7b	061324A**	Diaphragm Guide Assembly for Urinals (See Table 1)
7c	061376A**	Diaphragm/ Polymer Guide Assembly for Urinals (See Table 1)
8	062007A**	Brass Seat with O-ring
9	060079A-MMO*	Diaphragm only (12/pkg)
10	060801A	Universal Teck Handle Replacement Kit (for all exposed Teck Flushvalves)
11	060059A*	O-Ring Package
12	060810A	Cage & O-Ring Assembly
13	060074A*	Spring Package
14	060693A	Oscillating Handle
15	060825A	Handle Gland & Sleeve
16	060506A 060354A 060355A	Standard Adjustable Tail CP 1" Longer Adjustable Tail CP 2" Longer Adjustable Tail CP
17	060735A	Union Nut CP
18	060692A	Retaining Ring
19	060082A*	Adjustable Tail O-Ring Package (20/pkg)
20	060504A	S/S Wall Flange & Cover Tube
21	060697A 060694A 060764A	1" Copper Sweat Inlet Adaptor ¾" Copper Sweat Inlet Adaptor ¾" FIP Inlet Adaptor
22	060843A 060844A 060859A	Retrofit Check Stem Unit, Capnut & Button Complete Seat Washer, Spring, Button & O-Ring Kit Angle Stop with Union Nut & Tail Complete
23	060081A*	Plug Button Package (12/pkg)
24	060785A	Vacuum breaker sleeve complete
25	060094A	Coupling Ring
26	060782A 060783A 060781A	1-1/2" x 10" (38 mm x 254 mm) V.B., coupling ring and tube complete 1-1/2" x 22-3/4" (38 mm x 578 mm) V.B., coupling ring and tube complete 1½" x 10" VB, w/Trap Seal Primer Tee Complete
27	060004A	1½" Spud Flange
28	060778A	1½" Rough Coupling Nut & Washers
29	060083A*	1½" Slip Joint Washers (12/pkg)
30	060344A*	Filter Screen Kit (12/pkg) (optional)
31	060784A	¾" x 11½" VB, Ring & Tube Complete (for 81T231)
32	060463A	¾" Coupling Nut, ¾" Washers & ¾" Spud Flange
33	060049A	¾" (19mm) Rubber and fiber washers (12/pkg)
34	061336A 061337A 061375A 061338A 061339A 061340A 061019A	Cap & Regulating Screw Assembly for 0.5L (0.125 gal) fixed urinals (see Table 1) Cap & Regulating Screw Assembly for 1.9L (0.5 gal) fixed urinals (see Table 1) Cap & Regulating Screw Assembly for 4.2L (1.1 gal) fixed water closets (see Table 1) Cap & Regulating Screw Assembly for 4.8L (1.27 gal) fixed water closets (see Table 1) Cap & Regulating Screw Assembly for 6.0L (1.6 gal) fixed water closets (see Table 1) Cap & Regulating Screw Assembly for 1.9L (0.5 gal) adjustable urinals (see Table 1) Cap & Regulating Screw Assembly for 6.0L (1.6 gal) adjustable water closets (see Table 1)

**NOTE:** Refer to TECK flushometer repair parts and maintenance manual for additional parts and information.

\* For package quantities, check the parts section of the latest Delta Commercial Faucet price list.

\*\* For valves manufactured before January 2013, you must replace both 061323A/061324A/061376A diaphragm assembly and 062007A brass seat with O-ring.

**Table 1 - Cap/Pin/Diaphragm Configuration Table**

	UR - Fixed*		UR - Adjustable	WC - Fixed*			WC - Adjustable
	0.5L (0.125 gal)**	1.9L (0.5 gal)**	1.9L (0.5 gal)	4.2L (1.1 gal)	4.8L (1.27 gal)	6.0L (1.6 gal)	6.0L (1.6 gal)
Cast Cap Assembly (includes Cast Cap, Poppet Pin & Diaphragm Assembly)	 061336A	 061337A	 061340A	 061375A	 061338A	 061339A	 061019A
Poppet Pin	060507A & 062025A 			060507A 			
Diaphragm Assembly	 061324A / 061376A			 061323A			

**NOTE:** Must use all noted components listed in Table 1 to ensure correct flush volumes.

\* Fixed models have epoxy in the adjustment screw.

\*\* WaterSense® compliant when paired with a WaterSense fixture rated for the same flush volume.