



Flush Valves

Exposed Flush Valves-Manual Operation

Model No: 81T201

COMPLIES WITH:

- CSA certified.
- Complies to ASSE 1037
- IAPMO listed
- ADA compliant and meets Handicapped Accessibility Standard ASME 117.1 of less than 5 lbs operating force
- (Contact Delta Representative for State and/or Local Approvals)



SPECIFICATION:

- Quiet action, Teck® exposed diaphragm flush valve
- polished chrome plated finish
- vandal resistant cover screw
- metal "non hold open" ADA Compliant oscillating handle
- vacuum breaker
- renewable seat
- *Chloramine resistant diaphragm attached to guide with forged metal retainer.
- spud flange and concealed spud nut
- For Water Closets with 1-1/2" top spud
- maximum 292mm(11 1/2") from centerline of valve inlet to top of water closet, except -1 trap seal models which are maximum 11 3/4"
- 1" FIP/Copper sweat inlet adaptor for angle check stop with protecting cap
- adjustable 121mm (4.75") plus or minus 11mm (7/16") inlet/valve outlet centers
- external water conserving flush volume adjustment unless -6 variation selected which is Not Field Adjustable
- Cover tube and wall flange
- 6 Litre(1.6 US Gal.)Factory set Flush - Field Adjustable

OPERATION:

- Not Available

(Dimensional drawing on following page)

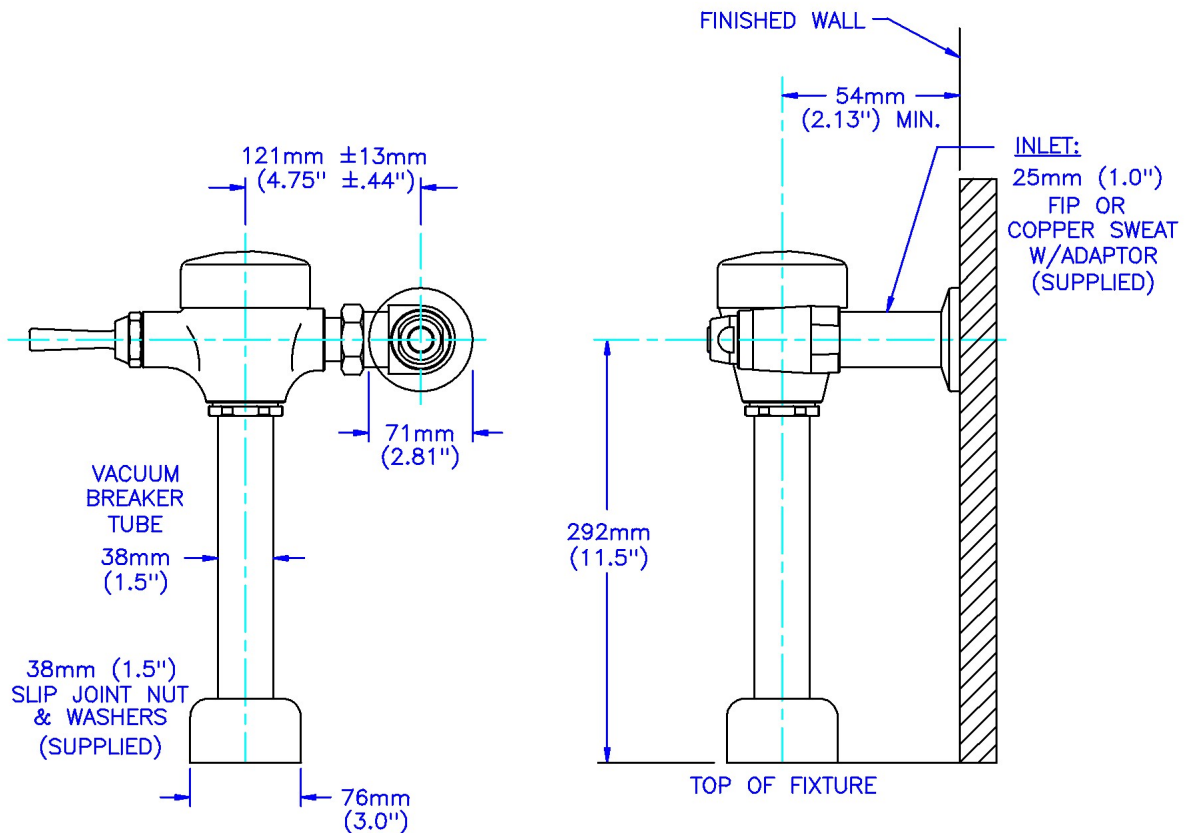
- FACTORY SET FOR 6.0 LITRE (1.6 US GAL.) FLUSH AT 60 PSI
- FIELD ADJUSTABLE FLUSH FROM 4.8L TO 25L (1.27 TO 6.6 US GAL.)

THE RECOMMENDED FLUSH VALVE OPERATING PRESSURE RANGE IS BETWEEN 35 & 65 PSI. PRESSURES OVER 75PSI LEAD TO AN INCREASE IN NOISE, WATER COULD SPLASH OUT OF THE FIXTURE MORE EASILY, AND THE LIFE OF ANY PLUMBING VALVE MAY BE SHORTENED.

FOR PRESSURES OVER 75PSI, A PRESSURE REDUCING VALVE IS RECOMMENDED.

FLUSH VALVES DO NOT PROVIDE A WATER SUPPLY; THEY ARE MERELY AUTOMATICALLY TIMED SELF-CLOSING VALVES. THE INLET SUPPLY PIPING IS THE WATER RESERVOIR THAT MUST SUPPLY SUFFICIENT WATER VOLUME IN A SHORT PERIOD OF TIME TO PROPERLY FLUSH THE FIXTURE.

WE STRONGLY RECOMMEND THAT PIPING CALCULATIONS BE DONE FOR ALL INSTALLATIONS TO INSURE PROPER WATER SUPPLY SIZES. CALL TECHNICAL SERVICE FOR DETAILS.



Delta reserves the right (1) to make changes to specifications and materials, and (2) to change or discontinue models, both without notice or obligation. Dimensions are for reference. Measurement may vary plus or minus 6mm(0.25"). Mounting locations are suggested only. Check with local codes for requirements in your area.

Delta Faucet Company - 55 East 111th St. - Indianapolis, Indiana, USA 46280 - (317) 848-1812
 Delta Faucet Canada - 395 Matheson Blvd E - Mississauga, Ontario, Canada L4Z 2H2 - (905) 712-3030