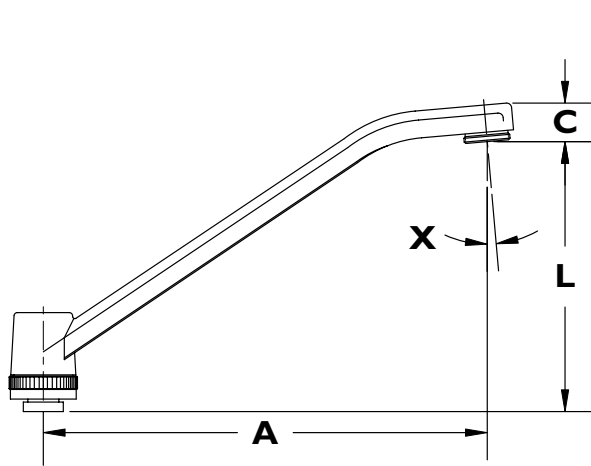


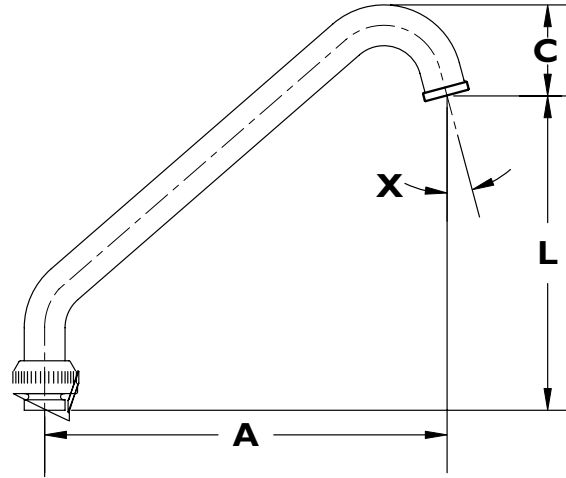
ADD-ON FAUCET SPOUTS
See Page 101

ITEM #	PART #	DESCRIPTION
1	77189	2-3/4" Hooded Lever Blade Handle, Screw, Red & Blue Index
2	060022A	* Handle Screws, Index Kit (includes handle screws, red & blue index washers)
	060442A	No. 3 Scrulox 8 Screwdriver for above
	060145A	* Handle Screws for 77189 Handle above
	060148A	* Red & Blue Index Washer Kit
	060441A	No. 3 Scrulox 8 Driver Bit
	060440A	No. 3 Square Driver Bit
3	77260	RH CP Brass Tuf-Teck Structure & Renewable Seat (for hot water side & for add-on faucet)
	77261	LH CP Brass Tuf-Teck Structure & Renewable Seat (for cold water side)
4	060021A	* Structure Repair Kit (includes seat washers, screws, stem & capnut "O" rings, capnut fibre washers, renewable seats)
	060139A	* Seat Washer Package
	060140A	* Stem "O" Ring Package
	060142A	* Structure Capnut "O" Ring Package
	060144A	* Renewable Seat Package
5	060026A	* Riser Pipe Repair Kit (includes retaining rings, "O" rings, swivel & rigid collars, and spout nut)
	060143A	* Spout "O" Ring Kit
	060244A	* Rigid Collar Kit
	060245A	* Retaining Ring Kit
6	060386A	Rigid/Swivel Adaptor and Fibre Washer
7	060469A	Fibre Washer – 12 per
8	060471A	Pair of 10" Offset Shanks & Washers
9	060466A	Wall Flange & Set Screw
10	060465A	Shank Rubber Washer Kit – 12 per
11	060472A	Integral Check Structure Complete
12	060473A	Thin Wall Installation Kit
13	17023	Riser Pipe Adaptor
14	17034	Swing Spout Adaptor
15	060494A	Spray Head Hook & Screw
16	55P1000	Wall Bracket Complete
17	060495A	Spring Retainer
18	060496A	Pre-Rinse Spring Only
19	060497A	Hose Assembly & Insulated Grip
	060498A	Hold Open Ring Only
21	060499A	Spray Head & Hold Open Ring
	060503A	Water/Energy Saver Spray Faceplate
	060290A	Spray Valve Repair Kit – includes cartridge, spray face, screw, bumper, plastic spacer – 1 of each
	060291A	Spray Valve Cartridge

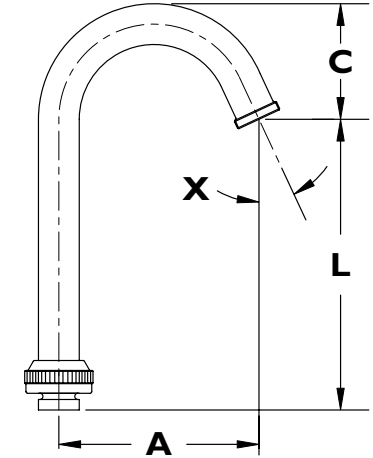
* For Package Quantities check the parts section of the latest Delta Commercial Faucet Price List



GROUP No. 1
(MALE THREADED END)



GROUP No. 2
(MALE THREADED END)



GROUP No. 3
(MALE THREADED END)

NOTE:

MALE THREADED ENDS – REQUIRE OUTLETS WITH A 55/64" DIA. – 27 THREADS/INCH FEMALE THREAD

SPOUT GROUP NUMBER	RP PART NUMBER ONLY	SWING SPOUT DESCRIPTION	"X" Degrees	"A"		"C"		"L"		"ADD-ON" SUFFIX NUMBER
				mm	in.	mm	in.	mm	in.	
1	060450A	6" "D" Section Spout	5	165	6.5	15	0.6	102	4	S1
	060451A	8" "D" Section Spout	5	206	8.1	15	0.6	130	5.1	S2
2	060452A	6" Tubular Spout	15	140	5.5	38	1.5	107	4.2	S3
	060453A	8" Tubular Spout	15	185	7.3	41	1.6	165	6.5	S4
	060269A	8" Tubular Spout	15	185	7.3	41	1.6	147	5.8	S5
	060454A	9" Tubular Spout	16.5	229	9	28	1.1	91	3.6	S6
	060455A	11" Tubular Spout	16.5	277	10.9	28	1.1	104	4.1	S7
	060456A	14" Tubular Spout	16.5	351	13.8	28	1.1	127	5	S8
3	060457A	16" Tubular Spout	16.5	399	15.7	28	1.1	142	5.6	S9
	060458A	3.5" Tubular GN Spout	25	98	3.7	51	2	137	5.4	S10
	060459A	7.25" Tubular GN Spout	15	198	7.3	89	3.5	165	6.5	S11