

Single and Mixing Surgeon Scrub-Up Valves

TECK[®]
COMMERCIAL



Specification: (example)

- Forged brass, **self close foot pedal valve**
- Polished chrome plated finish trim
- Indexed pedals
- Heavy duty rigid/swivel gooseneck spout and ... with ... (add control required)
with ... (add spout required)
with ... (add outlet required)

54T5432A



Engineer/Architect Approval

Model Specified:

Approval:

Date:

DESCRIPTION	PRODUCT NO.			
Surgeon Scrub-up Valve	54T5			A



CONTROL		SPOUT		OUTLET	
0	<input type="checkbox"/>	0 Specify "0" When No Spout Required	<input type="checkbox"/>	0 Specify "0" When No Outlet Required	<input type="checkbox"/>
1	<input type="checkbox"/>	1	<input type="checkbox"/>	1	<input type="checkbox"/>
2	<input type="checkbox"/>	2 Wallmounted (R2) Rigid/Swivel Gooseneck Spout (1)	<input type="checkbox"/>	2 Vandal Resistant 1.5 gpm (5.7 L/min.) Laminar with Agion [®] Antimicrobial	<input type="checkbox"/>
3 Double Wallmount Valve, Inlet & Outlet Stops	<input type="checkbox"/>	3 Deckmounted (R2) Rigid/Swivel Gooseneck Spout (1)	<input type="checkbox"/>	3 Vandal Resistant 1.5 gpm (5.7 L/min.) Flow Control Aerator	<input type="checkbox"/>
4 Double Floormount Valve	<input type="checkbox"/>	4	<input type="checkbox"/>	4 Standard 1.5 gpm (5.7 L/min.) Flow Control Aerator	<input type="checkbox"/>
5	<input type="checkbox"/>	5	<input type="checkbox"/>	5	<input type="checkbox"/>
6	<input type="checkbox"/>	6	<input type="checkbox"/>	6	<input type="checkbox"/>
7	<input type="checkbox"/>	7	<input type="checkbox"/>	7 Smooth End, Laminar Flow Control in Base of Gooseneck Spout 1.0 gpm (3.8 L/min.) (2)	<input type="checkbox"/>
8	<input type="checkbox"/>	8	<input type="checkbox"/>	8	<input type="checkbox"/>
9	<input type="checkbox"/>	9	<input type="checkbox"/>	9	<input type="checkbox"/>

(1) Available **Optional Rigid/Swivel Spouts**. These spouts can ONLY be added to **SPOUT Option No.'s 2, or 3**.
 (2) This outlet can ONLY be added to **SPOUT Option No.'s 2, or 3**.
 Refer to www.specselect.com for individual models.

Flow Rates are at 60 PSI.

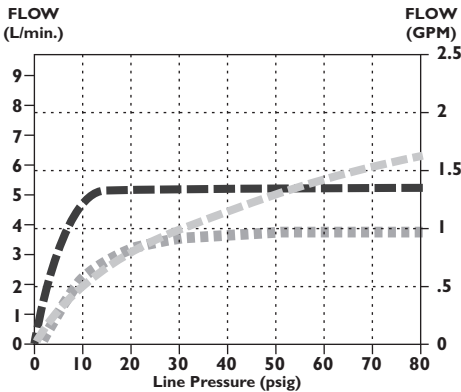
Note: Use this page front and back as a product submittal sheet.

Delta reserves the right (1) to make changes in specifications and materials, and (2) to change or discontinue models, both without notice or obligation. Dimensions are for reference only. See current full-line price book or www.specselect.com for finish options and product availability.

DSP-54T5 Rev. G

Approvals:

- CSA certified
 - Complies to ASME A112.18.1/CSA B125.1
 - Foot Pedal Control No. 3
Indicates compliance to ICC/ANSI A117.1
 - Outlet options 2, 3, 4 and 7 are EPA WaterSense listed
 - Verified compliant with 0.25% weighted average Pb content regulations
- (Contact Delta Representative for State and/or Local Approvals.)

FLOW RATE vs PRESSURE


Note: It is strongly recommended that each supply line be equipped with a water hammer arrestor installed per manufacturer's instructions.

 060327A

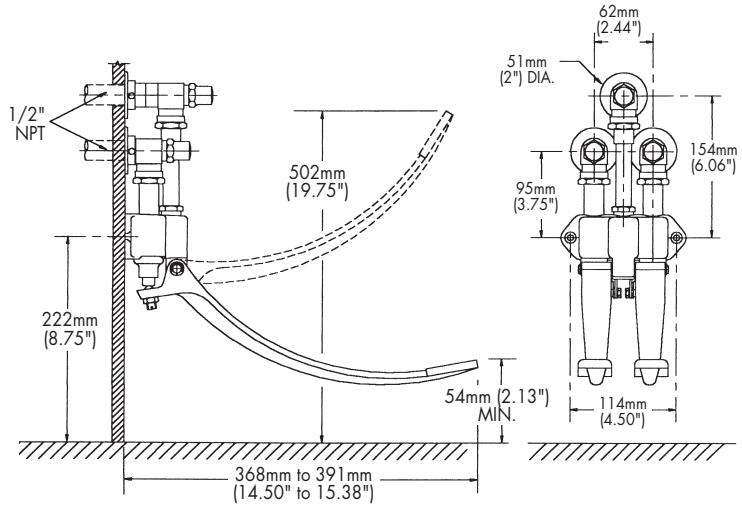
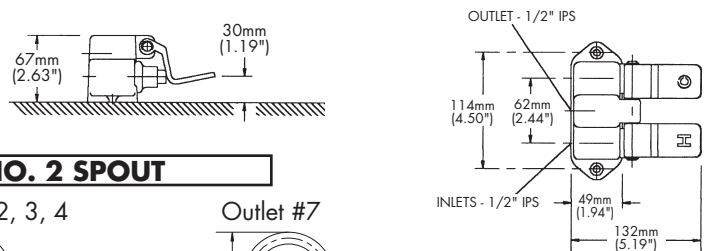
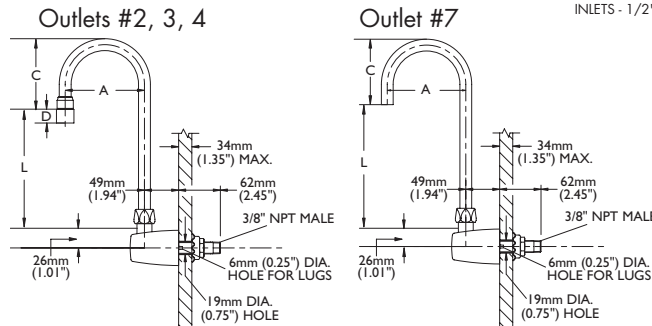
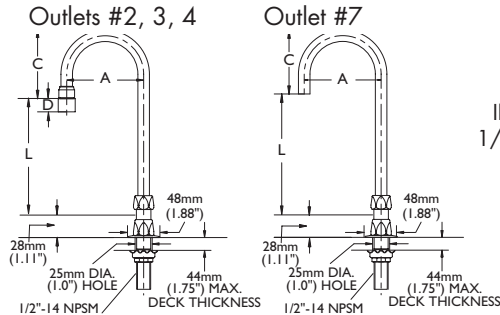
1/2" NPT Water Hammer Arrestor

OUTLET NO.	"D"	
	mm	in.
2	18	0.69
3	18	0.69
4	17	0.67

FOR OPTIONAL RIGID/SWIVEL SPOUTS
See DSP-R/S for detailed specification

Note: Measurements may vary ± 6mm (0.25")

Refer to www.specselect.com for individual models.

NO. 3 CONTROL

NO. 4 CONTROL

NO. 2 SPOUT

NO. 3 SPOUT


INLET FOR 3/8" OR 1/2" FLEXIBLE RISER OR 1/2-14 NPSM COUPLING NUT (NOT SUPPLIED)

GOOSENECK SPOUT ASSEMBLIES

SPOUT NO.	SPOUT/OUTLET	DIMENSIONS					
		"A"	"C"	"L"			
		mm	in.	mm	in.	mm	in.
2 & 3	Gooseneck-Standard (R2) for Outlet #2, 3, 4	114	4.5	104	4.1	170	6.7
2 & 3	Gooseneck-Standard (R2) for Outlet #7	114	4.5	97	3.8	178	7.0

Note: Use this page front and back as a product submittal sheet.