



Surgeon Scrub-Up

Pedal Valve

Model No: 54T5334A-R3

COMPLIES WITH:

- CSA certified.
- Complies to ASME Standard A112.18.1.
- (Contact Delta Representative for State and/or Local Approvals)
- Long foot pedals ADA compliant and meets Handicapped Accessibility Standard ASME A117.1 of less than 5 lbs operating force



SPECIFICATION:

- Foot Pedal Mixing Valve
- Spout: R3 - Gooseneck spout- 6.0" radius-6.7" height(unmounted)- Standard rigid/swivel field installation unless LS Limited swing option selected-Vandal resistant .090" wall thickness
- Outlet#: 4 - Standard 1.5 USGPM (5.7 L/Min) Flow Control Aerator
- Forged brass wallmount self close foot pedal valve
- Two aluminum indexed pedals
- Polished chrome plated finish
- With inlet stops
- With outlet volume control stop
- Set screw wall flanges
- Deckmount brass flange,
- 3/8" IPS shank, and locknut

OPERATION:

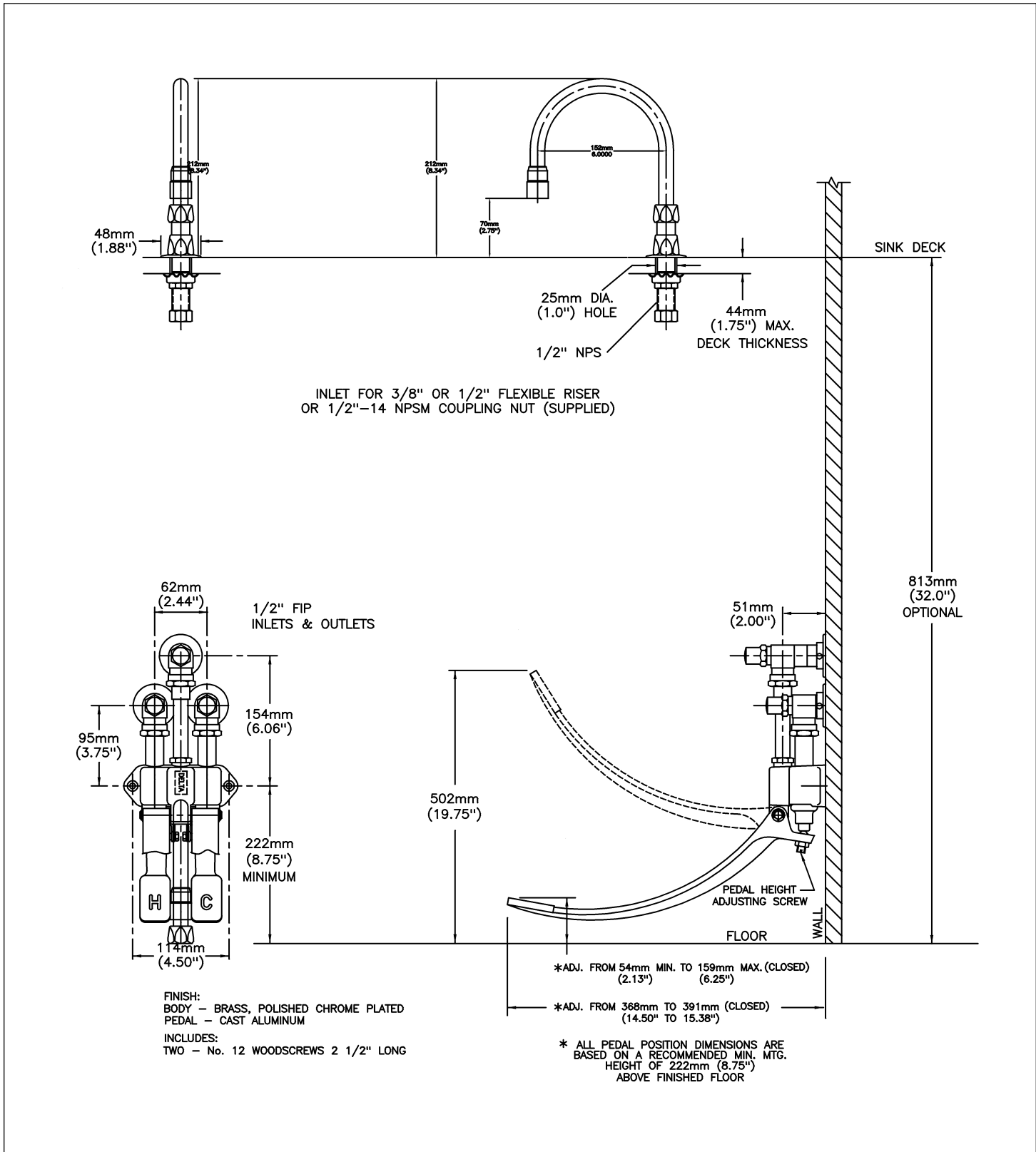
- Not Available

(Dimensional drawing on following page)

Delta reserves the right (1) to make changes to specifications and materials, and (2) to change or discontinue models, both without notice or obligation. Dimensions are for reference. Measurement may vary plus or minus 6mm(0.25"). Mounting locations are suggested only. Check with local codes for requirements in your area. This spec was produced March 08, 2012.

Delta Faucet Company - 55 East 111th St. - Indianapolis, Indiana, USA 46280 - (317) 848-1812
Delta Faucet Canada - 395 Matheson Blvd E - Mississauga, Ontario, Canada L4Z 2H2 - (905) 712-3030

Model No: 54T5334A-R3



Delta reserves the right (1) to make changes to specifications and materials, and (2) to change or discontinue models, both without notice or obligation. Dimensions are for reference. Measurement may vary plus or minus 6mm(0.25"). Mounting locations are suggested only. Check with local codes for requirements in your area. This spec was produced March 08, 2012.

Delta Faucet Company - 55 East 111th St. - Indianapolis, Indiana, USA 46280 - (317) 848-1812
Delta Faucet Canada - 395 Matheson Blvd E - Mississauga, Ontario, Canada L4Z 2H2 - (905) 712-3030