

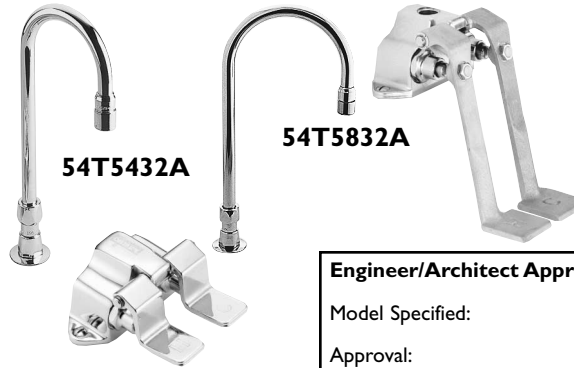
Single and Mixing Surgeon Scrub-Up Valves

TECK®

DELTA
COMMERCIAL

Specification: (example)

- Forged brass, **self close foot pedal valve**
- Polished chrome plated finish trim
- Indexed pedals
- Heavy duty rigid/swivel gooseneck spout and ... with ... (add control required)
with ... (add spout required)
with ... (add outlet required)



Specification: (example)

- **Above floor mount**, forged brass
- Rough chrome plated finish
- **Self-close foot pedal valve**
- Indexed cast aluminum pedals
- Heavy duty rigid/swivel gooseneck spout and ... with ... (add spout required)
with ... (add outlet required)

Engineer/Architect Approval

Model Specified:

Approval:

Date:

DESCRIPTION	PRODUCT NO.			
Surgeon Scrub-up Valve	54T5			A



CONTROL		SPOUT		OUTLET	
0	<input type="checkbox"/>	0 Specify "0" When No Spout Required	<input type="checkbox"/>	0 Specify "0" When No Outlet Required	<input type="checkbox"/>
1 Single Wallmount Valve, Inlet Stop Outlet Elbow	<input type="checkbox"/>	1	<input type="checkbox"/>	1	<input type="checkbox"/>
2 Single Floormount Valve	<input type="checkbox"/>	2 Wallmounted (R2) Rigid/Swivel Gooseneck Spout (1)	<input type="checkbox"/>	2 Vandal Resistant 1.5 USGPM (5.7 L/min.) Laminar w/Antimicrobial By AgION™	<input type="checkbox"/>
3 Double Wallmount Valve, Inlet & Outlet Stops	<input type="checkbox"/>	3 Deckmounted (R2) Rigid/Swivel Gooseneck Spout (1)	<input type="checkbox"/>	3 Vandal Resistant 1.5 USGPM (5.7 L/min.) Flow Control Aerator	<input type="checkbox"/>
4 Double Floormount Valve	<input type="checkbox"/>	4	<input type="checkbox"/>	4 Standard 1.5 USGPM (5.7 L/min.) Flow Control Aerator	<input type="checkbox"/>
5	<input type="checkbox"/>	5	<input type="checkbox"/>	5	<input type="checkbox"/>
6	<input type="checkbox"/>	6	<input type="checkbox"/>	6	<input type="checkbox"/>
7	<input type="checkbox"/>	7	<input type="checkbox"/>	7 Smooth End, Laminar Flow Control in Base of Gooseneck Spout 1.1 USGPM (4.2L/min.) (2)	<input type="checkbox"/>
8 Rough Chrome Plated Double Above Floormount Valve	<input type="checkbox"/>	8	<input type="checkbox"/>	8	<input type="checkbox"/>
9	<input type="checkbox"/>	9	<input type="checkbox"/>	9	<input type="checkbox"/>

(1) See Page 9.C.1 for **Optional Rigid/Swivel Spouts**. These spouts can **ONLY** be added to **SPOUT Option No.'s 2, or 3**.

Flowrates are at 60 PSI.

(2) This outlet can **ONLY** be added to **SPOUT Option No.'s 2, or 3**.

Refer to www.specselectonline.com for individual models.

Note: Use this page front and back as a product submittal sheet.

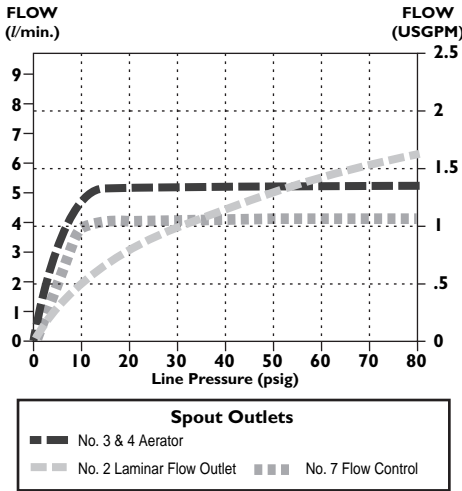
Delta reserves the right (1) to make changes in specifications and materials, and (2) to change or discontinue models, both without notice or obligation. Dimensions are for reference only. See current full-line price book or www.specselectonline.com for finish options and product availability.

Approvals:

- CSA certified
- Complies to ASME A112.18.1
- Long Foot Pedal Valves No. 1, 3, and 8 ADA Compliant and Meet Handicapped Accessibility Standard ASME A117.1 of less than 5 lbs. operating force.
- IAPMO listed

(Contact Delta Representative for State and/or Local Approvals.)

FLOWRATE vs PRESSURE



OUTLET NO.	"D"	
	mm	in.
2	18	0.69
3	18	0.69
4	17	0.67

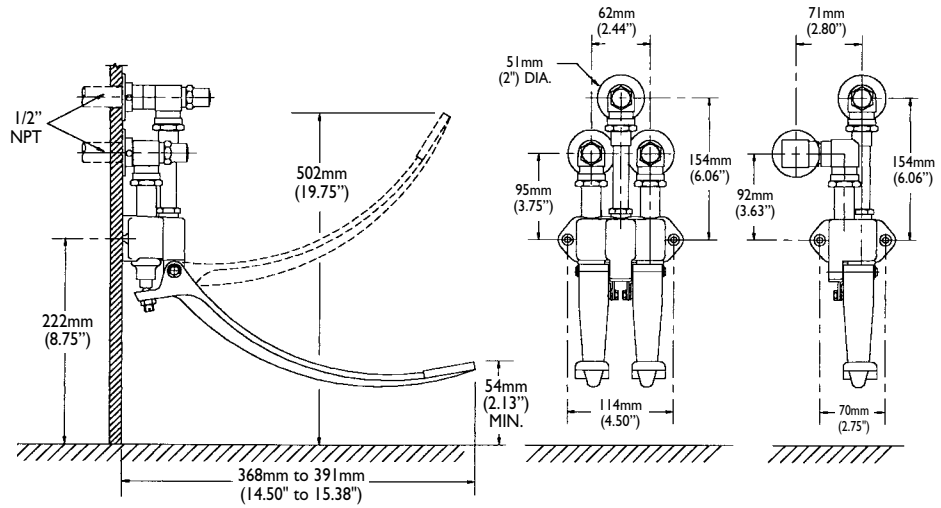
Note: It is strongly recommended that each supply line be equipped with a hammer arrestor installed per manufacturer's instructions.

060327A

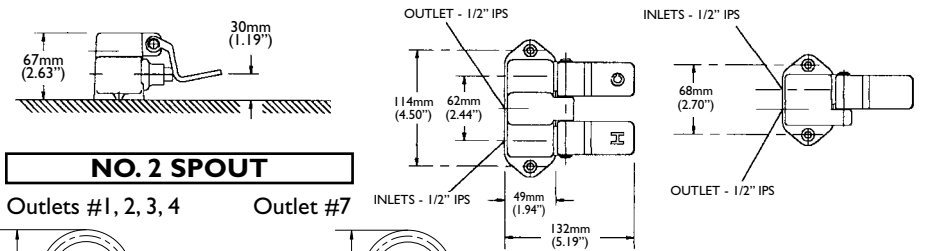
1/2" NPT Water Hammer Arrestor

Note: Measurements may vary ± 6mm (0.25")

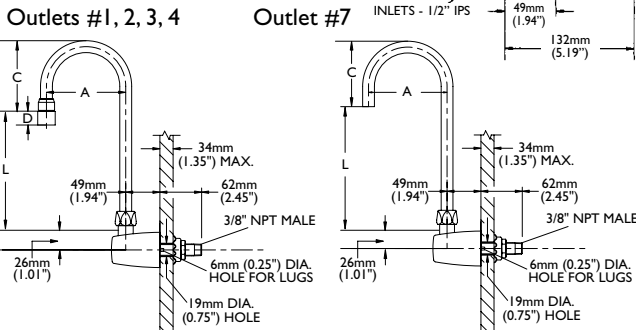
NO. 1 and NO. 3 CONTROLS



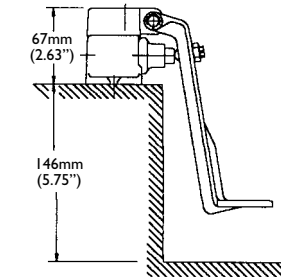
NO. 2 and NO. 4 CONTROLS



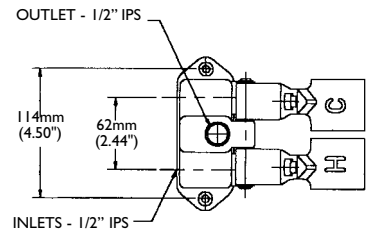
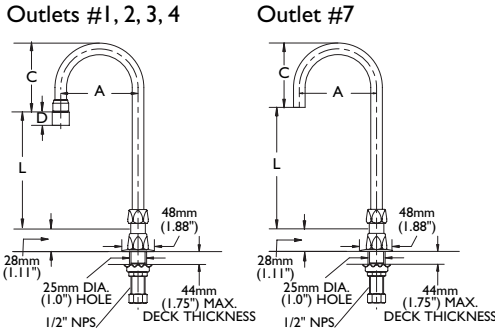
NO. 2 SPOUT



NO. 8 CONTROL



NO. 3 SPOUT



GOOSENECK SPOUT ASSEMBLIES

Spout No.	SPOUT/OUTLET	DIMENSIONS					
		"A"	"C"	"L"			
		mm	in.	mm	in.	mm	in.
2 & 3	Gooseneck-Standard (R2) for Outlet #1, 2, 3, 4	114	4.5	104	4.1	170	6.7
2 & 3	Gooseneck-Standard (R2) for Outlet #7	114	4.5	97	3.8	178	7.0

See Page 9.C.1 for additional optional spouts.

Refer to www.specselectonline.com for individual models.

Note: Use this page front and back as a product submittal sheet.