

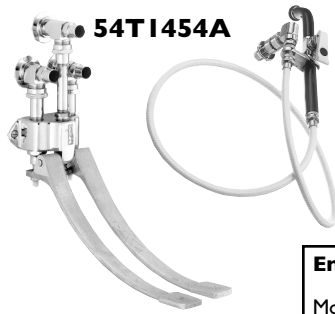
Single and Mixing Bedpan Cleansers

TECK®

DELTA
COMMERCIAL

Specification: (example)

- Cast brass, **volume control valve**
- Integral stop, polished chrome plated finish
- Tuf-Teck institutional structure
- Color indexed, 70mm (2-3/4") ADA compliant lever blade handle
- Vandal resistant handle screw, rigid wall spout, spray bedpan outlet, insulated bent tube and handle
- 1500mm (59") reinforced hose and hanger, with stop
- and ... with ... (add control required)
- with ... (add spout required)
- with ... quick disconnect (add suffix **QD** if required - See Back Page)



Specification: (example)

- Wallhung, forged brass
- **Self close foot pedal valve**, aluminum pedal, integral inlet/outlet stops, polished chrome plated finish
- Rigid wall spout, spray bedpan outlet, insulated bent tube and handle
- 1500mm (59") reinforced hose and hanger and ... with ... less stop or with stop (as required)
- ... with ... double valve
- ... with ... (add spout required)

Engineer/Architect Approval





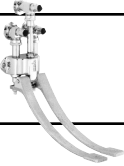



Model Specified:

Approval:

Date:

| DESCRIPTION | PRODUCT NO. | | | |
|-------------------------------|-------------|------------------|--|----------|
| Volume Control Valves | 54TI | 1 & 2 | | |
| Foot Pedal Valves Only | 54TI | 4 | | A |



| CONTROL | SPOUT | OUTLET |
|---|--|--|
| 0 <input type="checkbox"/> | 0 Use "0" in this column ONLY when Control "1" Specified <input type="checkbox"/> | 0 <input type="checkbox"/> |
| 1 Wallmounted Valve, Integral Stop, Double-check, Vacuum Breaker  <input type="checkbox"/> | 1 <input type="checkbox"/> | 1 Spray Outlet 1500 mm (59") Reinforced Vinyl Hose, Hanger and Insulated Handle (1)  <input type="checkbox"/> |
| 2 In-wall Valve with Integral Stop  <input type="checkbox"/> | 2 <input type="checkbox"/> | 2 <input type="checkbox"/> |
| 3 <input type="checkbox"/> | 3 Rigid Spout with Wallmounted Vacuum Breaker  <input type="checkbox"/> | 3 <input type="checkbox"/> |
| 4 Double Wallmount Valve  <input type="checkbox"/> | 4 <input type="checkbox"/> | 4 Spray Outlet with Self-close Stop 1500 mm (59") Reinforced Vinyl Hose, Hanger and Insulated Handle (1) (3)  <input type="checkbox"/> |
| 5 <input type="checkbox"/> | 5 Rigid Spout with Spout End Double-check Vacuum Breaker  <input type="checkbox"/> | 5 <input type="checkbox"/> |
| 6 <input type="checkbox"/> | 6 Rigid Spout with Pressure Vacuum Breaker (2)  <input type="checkbox"/> | 6 <input type="checkbox"/> |
| 7 <input type="checkbox"/> | 7 <input type="checkbox"/> | 7 <input type="checkbox"/> |
| 8 <input type="checkbox"/> | 8 <input type="checkbox"/> | 8 <input type="checkbox"/> |
| 9 <input type="checkbox"/> | 9 <input type="checkbox"/> | 9 <input type="checkbox"/> |

Refer to www.specselect.com for individual models.

Note: Use this page front and back as a product submittal sheet.

(1) Check with Local Code Authorities for proper cross flow and hazard protection requirements. (2) No. 6 Vacuum Breaker recommended for High Hazard Cross Connections and Continuous Pressure. (3) When using self-close outlet #4, we recommend using #5 or #6 Vacuum Breaker Spouts for continuous pressure.

Delta reserves the right (1) to make changes in specifications and materials, and (2) to change or discontinue models, both without notice or obligation. Dimensions are for reference only. See current full-line price book or www.specselect.com for finish options and product availability.

Approvals:

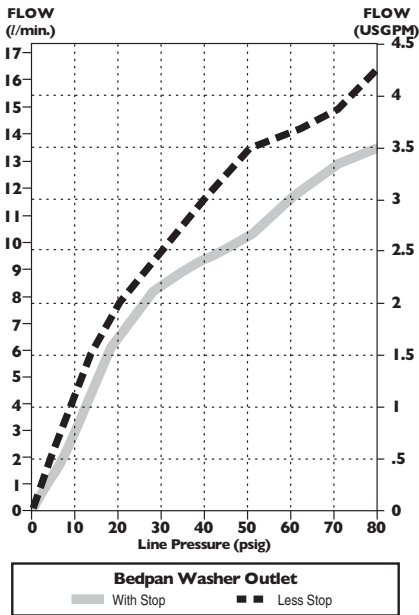
- CSA certified
- Complies to ASME A112.18.1
- ADA Compliant and meets Handicapped Accessibility Standard ASME A117.1 of less than 5 lbs. operating force.

Vacuum Breakers/Spouts:

- Spout No. 3 VB certified under ASSE 1001 and CSA Standard B64.1.1
- Spout No. 5 VB certified under ASSE 1035 and CSA Standard B64.8
- Spout No. 6 VB certified under ASSE 1020 and CSA Standard B64.1.2
- IAPMO listed

(Contact Delta Representative for State and/or Local Approvals.)

FLOWRATE vs PRESSURE



Note: For Control Option No. 3 & 4 it is strongly recommended that each supply line be equipped with a hammer arrestor installed per manufacturer's instructions.

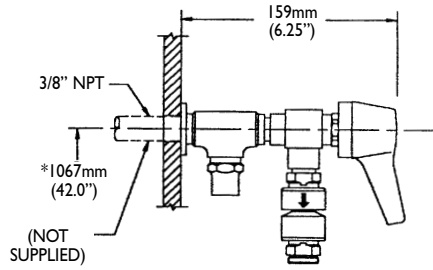
060327A

1/2" NPT Water Hammer Arrestor

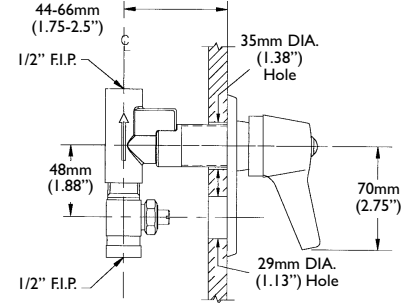
Note: Measurements may vary ± 6mm (0.25")

Refer to www.specselect.com for individual models.

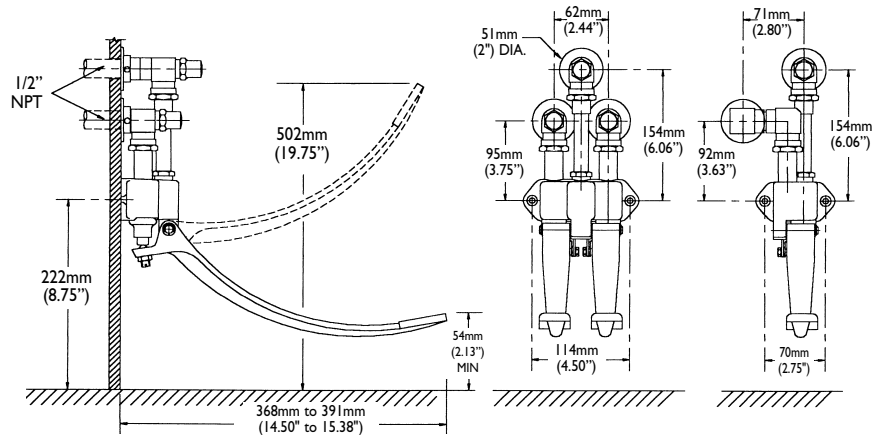
NO. 1 CONTROL



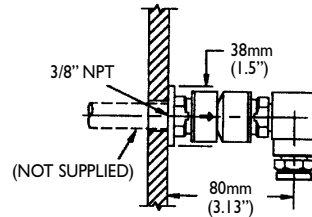
NO. 2 CONTROL



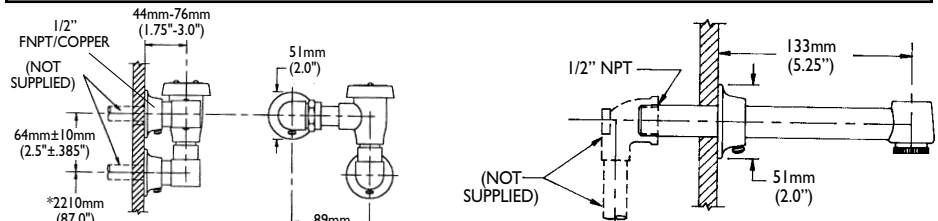
NO. 4 CONTROLS



NO. 5 SPOUT



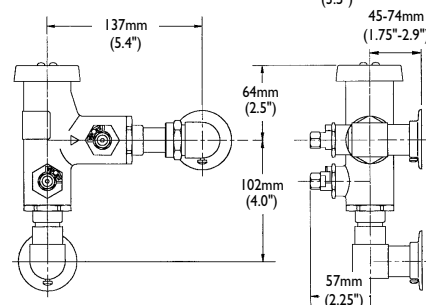
NO. 3 and NO. 6 SPOUTS



ADD Suffix "QD" to Product Number



060252A
Quick Disconnect
Hose Connectors



*Suggested - Check local building code requirements on backflow protection and all installation heights.

Note: Use this page front and back as a product submittal sheet.