



LAVATORY FAUCETS

- Classic Series
- Single Handle Deck Mount

FEATURES:

- DIAMOND Seal® Technology

STANDARD SPECIFICATIONS:

- Maximum 1.20 gpm @ 60 psi, 4.54 L/min @ 414 kPa
- Three hole mount
- Diamond coated ceramic cartridge
- 3/8" O.D. straight, staggered PEX supply lines
- Red/blue indicator markings
- HGM indicates 0.50 gpm @ 60 psi, 1.9 L/min @ 414 kPa
- Includes cartridge limit switch to allow maximum hot water mix of 50%
- Models with "MPU" and "TPM" have metal drain with pop-up type fitting with plated flange and stopper
- Models with "TP" have metal flange and plastic tail piece
- Models with suffix "PPU" have plastic pop-up type fitting with plated flange and stopper
- Models with no suffix have brass drain with plastic tailpiece

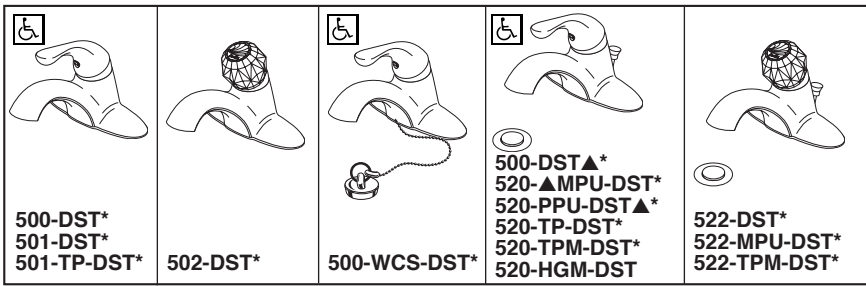
WARRANTY

- Lifetime limited warranty on parts (other than electronic parts and batteries) and finishes: or, for commercial users, for 5 years from date of purchase.
- 5 year limited warranty on electronic parts (other than batteries); or, for commercial users, for 1 year from the date of purchase. No warranty is provided on batteries.



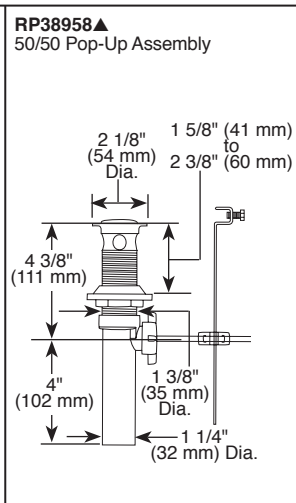
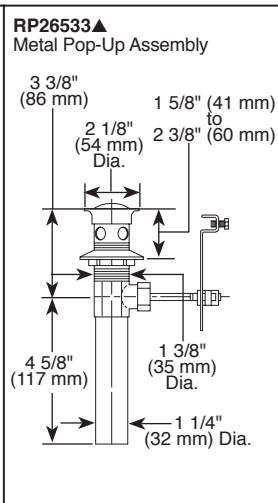
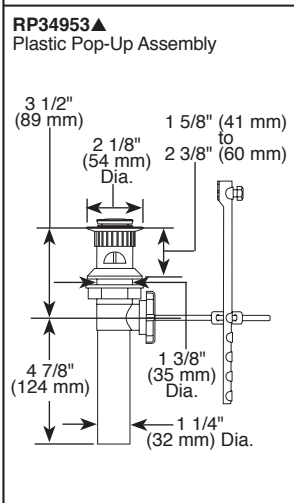
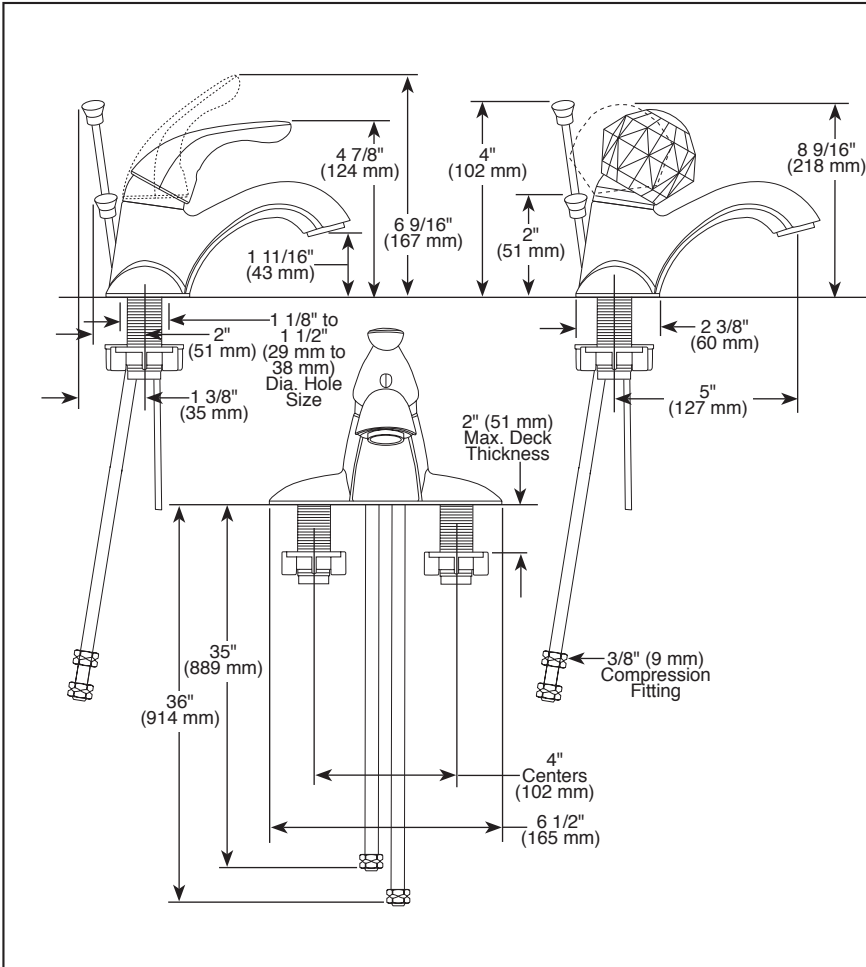
COMPLIES WITH:

- ASME A112.18.1 / CSA B125.1
- ASME A112.18.2 / CSA B125.2
- Indicates compliance to ICC/ANSI A117.1
- * ■ EPA WaterSense®
- Verified compliant with .25% weighted average Pb content regulations.



Submitted Model No.: _____

Specific Features: _____



▲ Designate Proper Finish Suffix

Delta reserves the right (1) to make changes in specifications and materials, and (2) to change or discontinue models, both without notice or obligation. Dimensions are for reference only. See current full-line price book or www.deltafaucet.com for finish options and product availability.

DSP-L-500-DST Rev. 1



55 E. 111th Street, Indianapolis, Indiana 46280
 350 South Edgeware Road, St. Thomas, ON N5P 4L1
 © 2016 Masco Corporation of Indiana