

**SPECIFICATION (example)**

- Deck mount electronic lavatory faucet
- Sensor detects user's hand to activate water flow
- 6 1.5V AA Batteries (included)
- Adjustable maximum run time
- Adjustable sensor range
- Red light indicator blinks when battery is low

 **DEMD-301**

- Electronic faucet for cold or pre-mixed water

 **DEMD-311**

- Electronic faucet with mixer to adjust temperature

**OPERATION**
**Sensing Range:**

- Factory set to 8.6" (220 mm)
- Adjustable from 3.15" to 11.8" (80 mm to 300 mm)

**Maximum Run Time:**

- 90 seconds, adjustable with remote control

 **060958A**

- DEMD Plug-In Transformer 120 VAC to 9 VDC (Optional)

 **060967A**

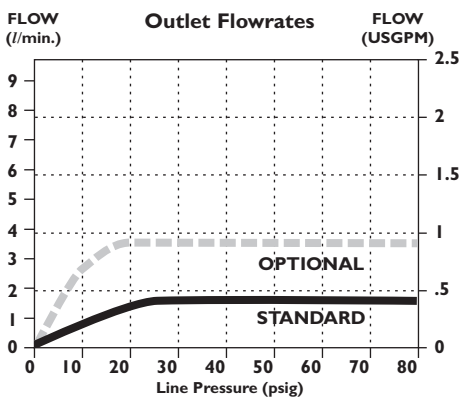
- Remote Control (Optional)

 **060974A**

- DEMD Converter 24 VAC to 9 VDC (optional) (transformer required – order separately)

 **060585A**

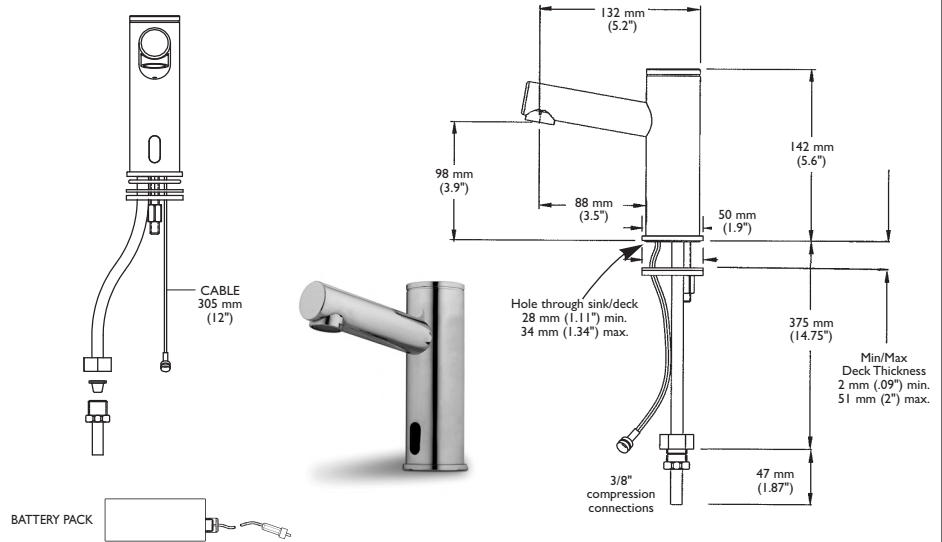
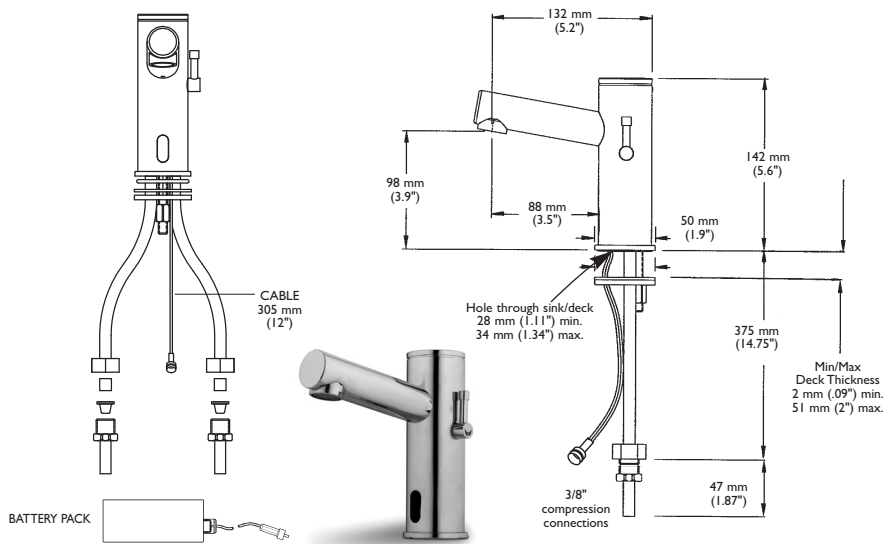
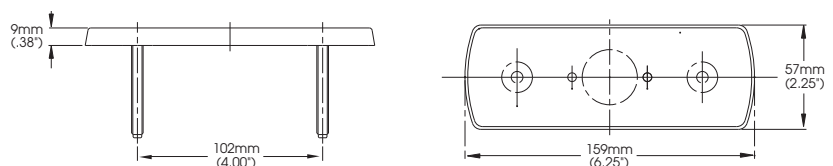
- Optional 4" forged coverplate

**FLOWRATE vs PRESSURE**

**Approvals:**

- IAPMO listed, certified to ASME A112.18.1 /CSA B125.1
- ADA Compliant and meets Handicapped Accessibility Standard ASME A117.1 of less than 5 lbs. handle operating force.

Note: Measurements may vary ± 6mm (0.25")

Refer to [www.spectselect.com](http://www.spectselect.com) for individual models.

**ELECTRONIC LAVATORY FAUCET DEMD-301**

**ELECTRONIC LAVATORY FAUCET DEMD-311**

**OPTIONAL 4" FORGED COVERPLATE**


Note: Use this page as a product submittal sheet.