

DELTA®

LAVATORY FAUCETS

- Two Handle
- Innovations® Series
- 3 Hole Sink Applications
- 4" Mini-Widespread

Submitted Model No.: _____

Specific Features: _____



LISTED
UL Listed to US and Canadian
Safety Standards and Classified C
in accordance with
ANSI/NSF 61
21PL

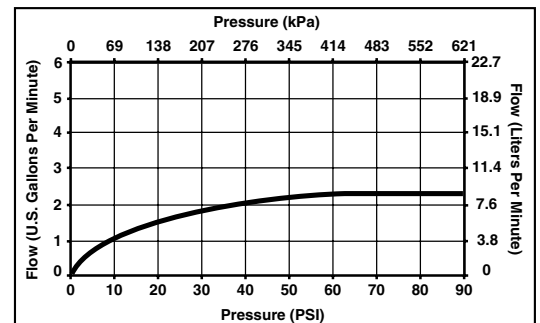
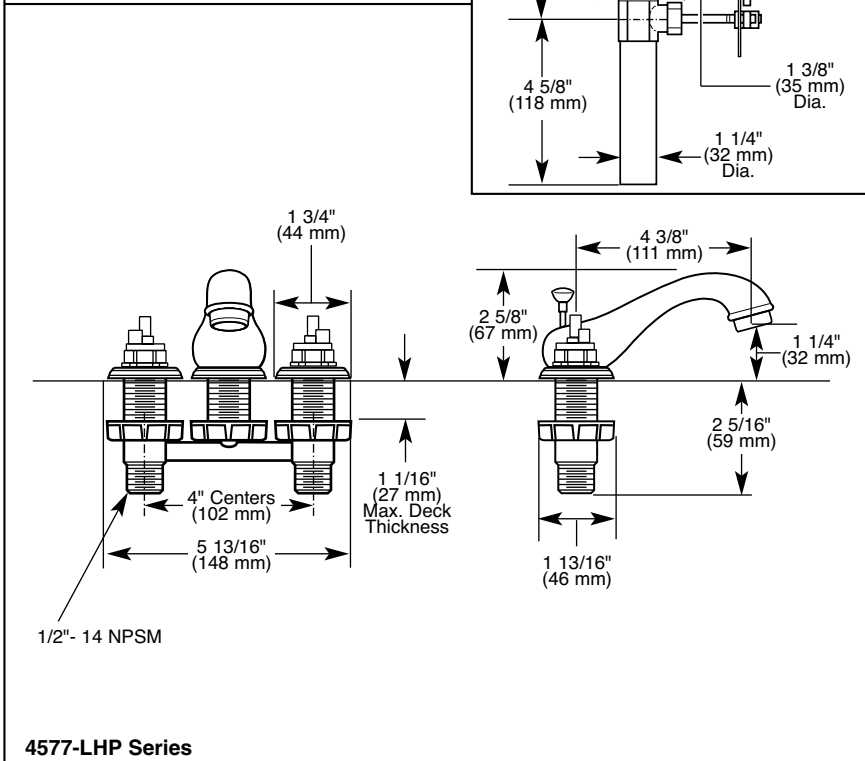
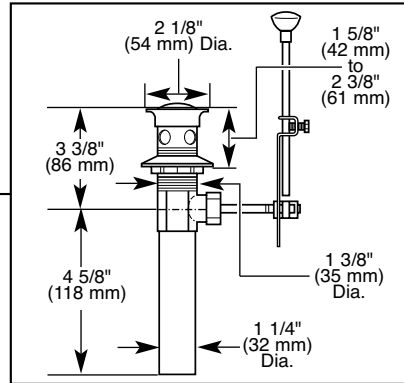
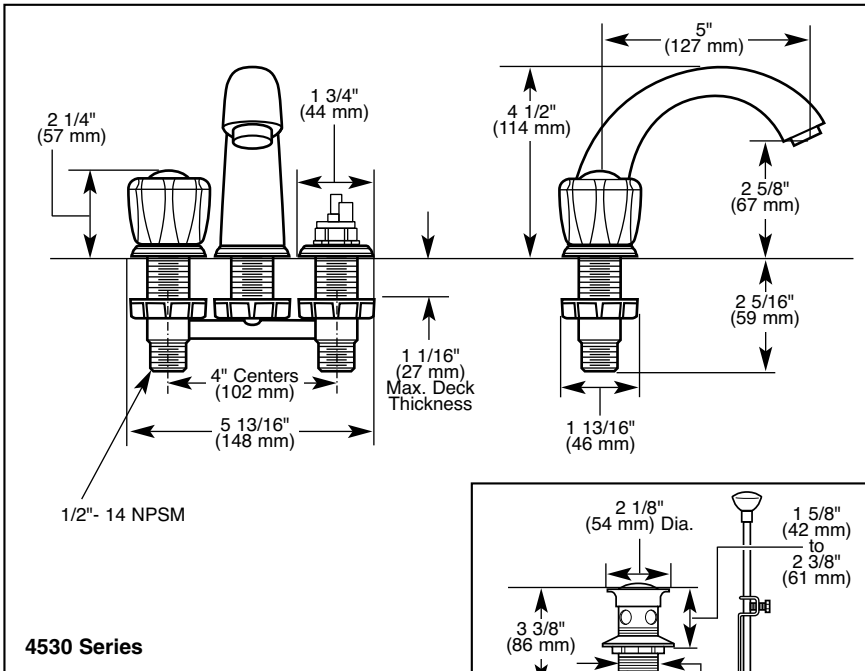


COMPLIES WITH:

- ASME A112.18.1-2000
- CSA B125-98
- Indicates ADA compliance to ICC/ANSI A117.1-1998
- IAPMO Listed
- CSA Certified

STANDARD SPECIFICATIONS:

- Two handle lavatory deck faucets for exposed mounting on three hole sinks.
- 4" (102 mm) mini-widespread.
- Solid brass fabricated body.
- 5" (127 mm) long, 4 1/2" (114 mm) high rigid spout (4530 Series).
- 4 3/8" (111 mm) long, 2 5/8" (67 mm) high rigid spout (4577 Series).
- Hot and cold stems are interchangeable.
- Control mechanism shall be of the rotating cylinder type with stainless steel plate and 180° rotation, with replaceable non-metallic seats operating in stainless steel lined sockets.
- 1/4 Turn handle stops on LHP models.
- 1/2"-14 NPSM threaded male inlet shanks.
- Models have metal drain with pop-up type fitting with plated flange and stopper.



Delta reserves the right (1) to make changes in specifications and materials, and (2) to change or discontinue models, both without notice or obligation. Dimensions are for reference only.

Standard Features	4530-MPU	4530-LHP	4530-CBLHP	4530-NCLHP	4530-NNLHP	4530-NPLHP	4530-PBLHP	4530-WHLHP	4577-CBLHP	4577-LHP	4577-NCLHP	4577-NNLHP	4577-NPLHP	4577-PBLHP
Washerless	◆	◆	◆	◆	◆	◆	◆	◆	◆	◆	◆	◆	◆	◆
Three Hole Installation	◆	◆	◆	◆	◆	◆	◆	◆	◆	◆	◆	◆	◆	◆
4" (102 mm) Mini-Widespread	◆	◆	◆	◆	◆	◆	◆	◆	◆	◆	◆	◆	◆	◆
5" (127 mm) Long, 4 1/2" (114 mm) High Rigid Spout	◆	◆	◆	◆	◆	◆	◆	◆						
4 3/8" (111 mm) Long, 2 5/8" (67 mm) High Rigid Spout									◆	◆	◆	◆	◆	◆
Clear Knob Handles with Red/Blue Indicators (H21)	◆													
Less Handle Program See Handle Kit Options*		◆	◆	◆	◆	◆	◆	◆	◆	◆	◆	◆	◆	◆
1/4 Turn Handle Stops		◆	◆	◆	◆	◆	◆	◆	◆	◆	◆	◆	◆	◆
1/2"-14 NPSM Threaded Male Inlet Shanks	◆	◆	◆	◆	◆	◆	◆	◆	◆	◆	◆	◆	◆	◆
Metal Pop-Up Drain	◆	◆	◆	◆	◆	◆	◆	◆	◆	◆	◆	◆	◆	◆
Chrome Finish	◆	◆							◆					
Chrome and <i>Brilliance</i> ® Polished Brass Finish			◆						◆					
<i>Brilliance</i> ® Nickel and Chrome Finish				◆						◆				
<i>Brilliance</i> ® Nickel Finish					◆						◆			
<i>Brilliance</i> ® Nickel and <i>Brilliance</i> ® Polished Brass Finish						◆							◆	
<i>Brilliance</i> ® Polished Brass Finish							◆							◆
White Finish								◆						

***Available LHP Handle Options**

▲Designate proper finish suffix.

H21▲ 1" (25 mm)	H22▲ A22 2 1/2" (64 mm)	H23▲ A23 1" (25 mm)	H24▲ A24 3 1/4" (83 mm)	H212▲ 3" (76 mm)
H25▲ 2 1/2" (64 mm)	H26▲ 1 1/4" (32 mm)	H27▲ 1 1/4" (32 mm)	H28 1 7/16" (37 mm)	H215▲ 3" (76 mm)

***Available LHP Handle Accent Options with Matching Lift Knobs**

 A22CL	 A23, A23PB
 A22, A22PB, A22WH	 A24CL
 A22PR	 A24, A24NC, A24NN, A24NP, A24PB, A24WH
 A22OK	



Indianapolis, Indiana 46280
A Division of Masco Corporation of Indiana
© 2001 Masco Corporation of Indiana