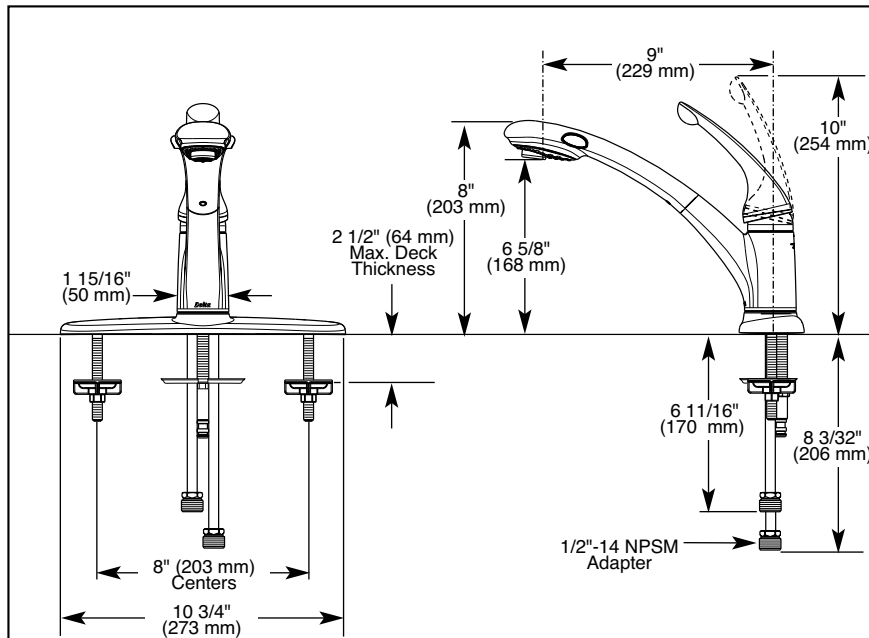
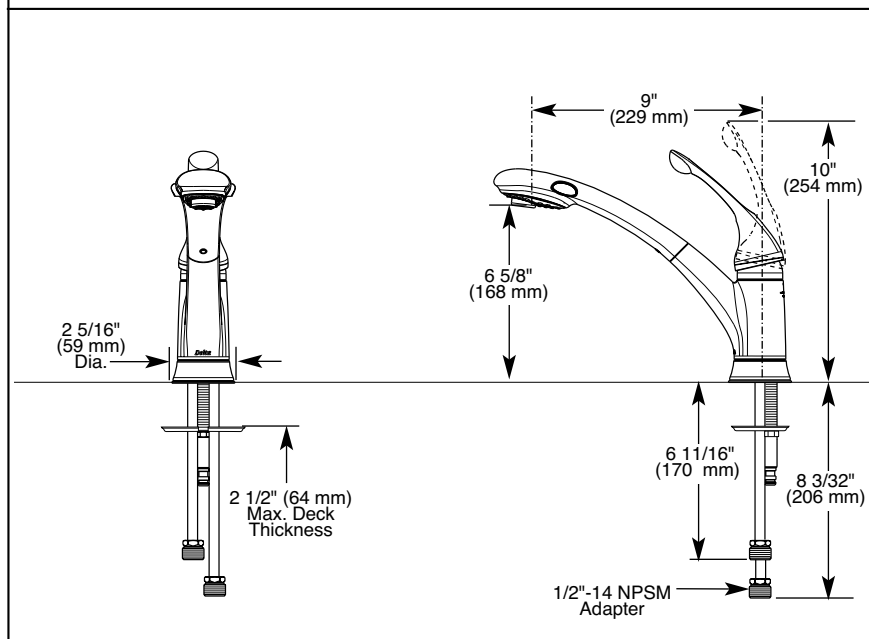


Submitted Model No.: \_\_\_\_\_

Specific Features: \_\_\_\_\_



470/472



470/472



# KITCHEN FAUCETS

- Single Handle
- Signature™ Pull-Out Spray Series
- Deck Mount
- Single or 3 Hole Sink Applications
- Centermount or 8" (203 mm) Centers with Optional Included 10 3/4" (273 mm) Escutcheon
- Quick Snap® Hose Installation



Drinking Water Systems Components  
 CLASSIFIED BY  
 UNDERWRITERS LABORATORIES INC.®  
 In Accordance With Standard  
 ANSI/NSF 61-970  
 21PL

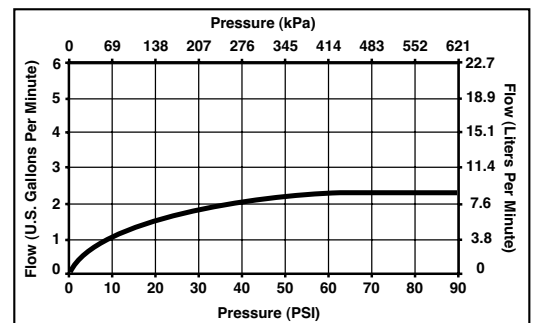


### COMPLIES WITH:

- ASME A112.18.1
- CSA B125
- Indicates ADA compliance to CABO/ANSI A117.1
- IAPMO Listed
- CSA Certified
- City of L.A. approved

### STANDARD SPECIFICATIONS:

- Single handle kitchen faucets for exposed mounting on single and three hole sinks.
- Centermount or 8" (203 mm) centers with optional included 10 3/4" (273 mm) long escutcheon.
- Solid brass fabricated body.
- 8" (203 mm) high, 9" (229 mm) long [includes 6 1/4" (159 mm) long pull-out spray] nestled in all brass hub assembly, swings 120°.
- Pull-out spout operates in an aerated or spray mode via an easy side-to-side push lever.
- Touch-Clean® sprayhead.
- Quick Snap® hose installation.
- Spout is connected to valve body with a 60" (1524 mm) long hose that extends to 38" (965 mm) usable length.
- Lever or loop handle shall return to neutral position when faucet is turned off.
- Control mechanism shall be of the rotating stainless steel ball type with replaceable non-metallic seats operating in stainless steel lined sockets.
- Red/blue graphics on handle button to indicate hot/cold temperature.
- 3/8" O.D. straight, staggered copper supply tubes – 6 11/16" (170 mm) and 8 3/32" (206 mm) long.
- Standard with 1/2"-14 NPSM adapters.
- Each supply line has a back siphonage check valve. Spout contains a backflow check valve. Valve has an anti-siphon atmospheric vent in the stainless steel ball.



Delta reserves the right (1) to make changes in specifications and materials, and (2) to change or discontinue models, both without notice or obligation. Dimensions are for reference only.

Standard Features	470	470-BS	470-NN	470-PB	470-SS	470-WH	472
Washerless	◆	◆	◆	◆	◆	◆	◆
Centermount Installation	◆	◆	◆	◆	◆	◆	◆
10 3/4" (273 mm) Long Escutcheon Included/ Installation Optional	◆	◆	◆	◆	◆	◆	◆
Three Hole Installation – 8" (203 mm) Centers	◆	◆	◆	◆	◆	◆	◆
Lever Handle	Ⓢ	Ⓢ	Ⓢ	Ⓢ	Ⓢ	Ⓢ	
Loop Handle							Ⓢ
Red/Blue Graphics on Handle Button to Indicate Hot/Cold Temperature	◆	◆	◆	◆	◆	◆	◆
8" (203 mm) High, 9" (229 mm) Long [Includes 6 1/4" (159 mm) Long Pull-Out Spray] Nestled in All Brass Hub Assembly, Swings 132°	◆	◆	◆	◆	◆	◆	◆
Pull-Out Spout Operates in Aerated or Spray Mode Via an Easy Side-to-Side Push Lever	◆	◆	◆	◆	◆	◆	◆
Touch-Clean® Sprayhead	◆	◆	◆	◆	◆	◆	◆
Quick Connect Hose Installation	◆	◆	◆	◆	◆	◆	◆
Spout is Connected to Valve Body with 60" (1524 mm) Long Hose that Extends to 38" (865 mm) Usable Length	◆	◆	◆	◆	◆	◆	◆
3/8" O.D. Straight, Staggered Copper Supply Tubes – 6 11/16" (170 mm) and 8 3/32" (206 mm) Long	◆	◆	◆	◆	◆	◆	◆
Standard with 1/2"-14 NPSM Adapters	◆	◆	◆	◆	◆	◆	◆
2 1/2" (64 mm) Thick Deck Installation Capability	◆	◆	◆	◆	◆	◆	◆
Chrome Finish	◆						◆
Biscuit Finish		◆					
<i>Brilliance</i> ® Pearl Nickel Finish			◆				
<i>Brilliance</i> ® Polished Brass Finish				◆			
<i>Brilliance</i> ® Stainless Finish					◆		
White Finish						◆	



Indianapolis, Indiana 46280  
A Division of Masco Corporation of Indiana  
© 2002 Masco Corporation of Indiana