



Surgeon's Scrub-up with Gooseneck Spout and Floor Mounted Double Foot Pedal Valve

54T5438A

Description

Surgeon's scrub-up with deck-mount gooseneck spout with 2.2 gpm (8.3 L/min) vandal-resistant laminar outlet and floor mounted double foot pedal valve

Specification

- Flow Rate: 2.2gpm (8.3 L/min) laminar flow with vandal resistant outlet
- Spout Type: Deck-mount rigid/swivel gooseneck spout
- Finish: Chrome

Features

- Mixing surgeon scrub-up valve and spout
- Heavy duty rigid/swivel gooseneck spout
- Polished chrome-plated finish trim
- Forged brass, self-close floor mounted double foot pedal valve
- Indexed pedals
- 1/2" NPSM shank and locknut
- No stops
- Deck-mount brass flange

Operation

- Designed for routine 180°F (82°C) disinfection cycles up to 30 mins
- It is recommended that each supply line be equipped with a water hammer arrestor installed per manufacturer's instructions.

Optional Accessories

- For Alternate Rigid/Swivel & Limited Swing Spouts - see DSP-R/S for detailed specification.



Complies With

- For Commercial use ONLY
- ASME A112.18.1 / CSA B125.1
- Verified compliant with 0.25% weighted average Pb content regulations



(Contact Delta Representative for State and/or Local Approvals)

NOTICE Dimensions are for reference only, measurements may vary $\pm 0.25"$ (6 mm).
Maximum flow rates - 60 psi (414 kPa).

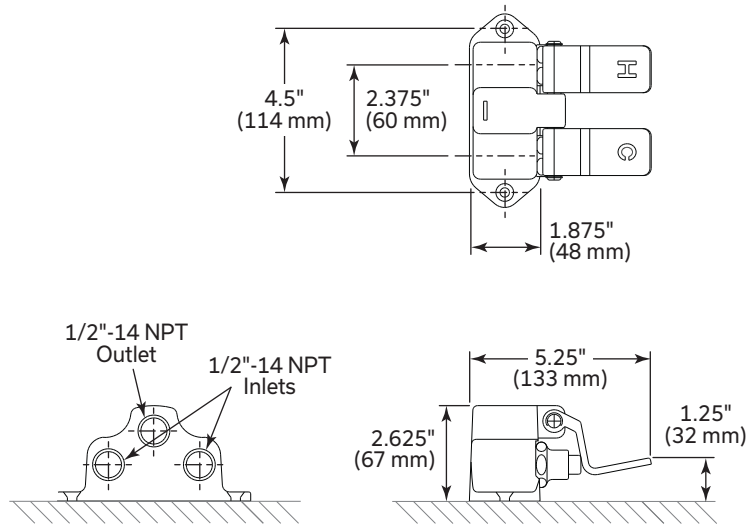
WaterSense® is a registered trademark of the U.S. Environmental Protection Agency.

Masco Canada Limited reserves the right (1) to make changes in specifications and materials, and (2) to change or discontinue models, both without notice or obligation. See current full-line price book for finish options and product availability.

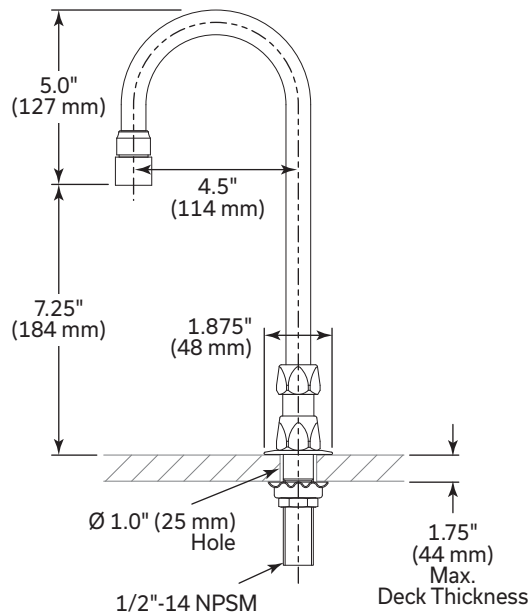
© 2025 **Masco Canada Limited**
350 South Edgeware Rd, St Thomas, Ontario, Canada N5P 4L1
1-800-387-8277

54T5438A

This spec was produced on April 03, 2025.



NOTICE Inlet for 3/8" or 1/2" flexible riser or 1/2-14 NPSM coupling nut (Not Supplied)



NOTICE Dimensions are for reference only, measurements may vary $\pm 0.25"$ (6 mm).

Maximum flow rates - 60 psi (414 kPa).

WaterSense® is a registered trademark of the U.S. Environmental Protection Agency.

Masco Canada Limited reserves the right (1) to make changes in specifications and materials, and (2) to change or discontinue models, both without notice or obligation. See current full-line price book for finish options and product availability.