



Surgeon's Scrub-up with Gooseneck Spout and Floor Mounted Double Foot Pedal Valve

54T5426A

Description

Surgeon's scrub-up with wall-mount smooth end gooseneck spout with 1.5 gpm (5.7 L/min) laminar flow and floor mounted double foot pedal valve.

Specification

- Flow Rate: 1.5 gpm (5.7 L/min) smooth end laminar
- Spout Type: Wall-mount rigid/swivel gooseneck spout
- Finish: Chrome

Features

- Mixing surgeon scrub-up valve and spout
- Heavy duty rigid/swivel gooseneck spout
- Polished chrome-plated finish trim
- Forged brass, self-close floor mounted double foot pedal valve
- Indexed pedals
- 3/8" NPT shank and locknut
- No stops
- Wall-mount brass turret
- Vandal resistant locking lugs



Operation

- Designed for routine 180°F (82°C) disinfection cycles up to 30 mins
- It is recommended that each supply line be equipped with a water hammer arrestor installed per manufacturer's instructions.

Optional Accessories

- For Alternate Rigid/Swivel & Limited Swing Spouts - see DSP-R/S for detailed specification.

Complies With

- For Commercial use ONLY
- ASME A112.18.1 / CSA B125.1
- EPA WaterSense listed
- Verified compliant with 0.25% weighted average Pb content regulations



(Contact Delta Representative for State and/or Local Approvals)

NOTICE Dimensions are for reference only, measurements may vary ± 0.25" (6 mm).

Maximum flow rates - 60 psi (414 kPa).

WaterSense® is a registered trademark of the U.S. Environmental Protection Agency.

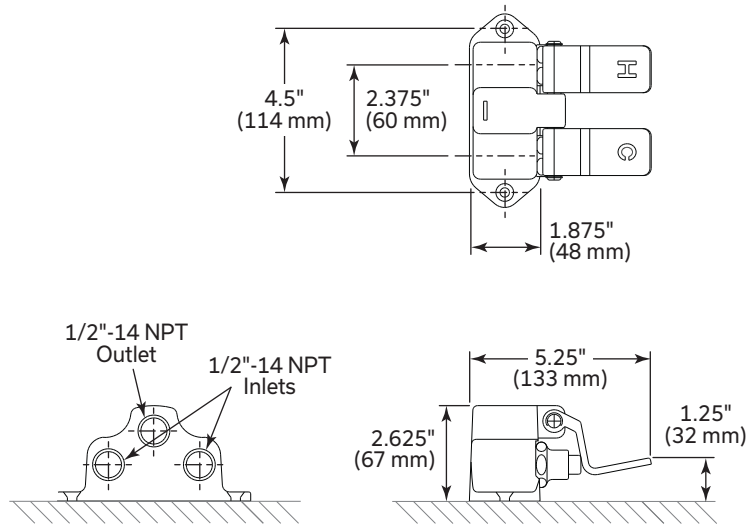
Masco Canada Limited reserves the right (1) to make changes in specifications and materials, and (2) to change or discontinue models, both without notice or obligation. See current full-line price book for finish options and product availability.

© 2025 Masco Canada Limited
350 South Edgeware Rd, St Thomas, Ontario, Canada N5P 4L1
1-800-387-8277

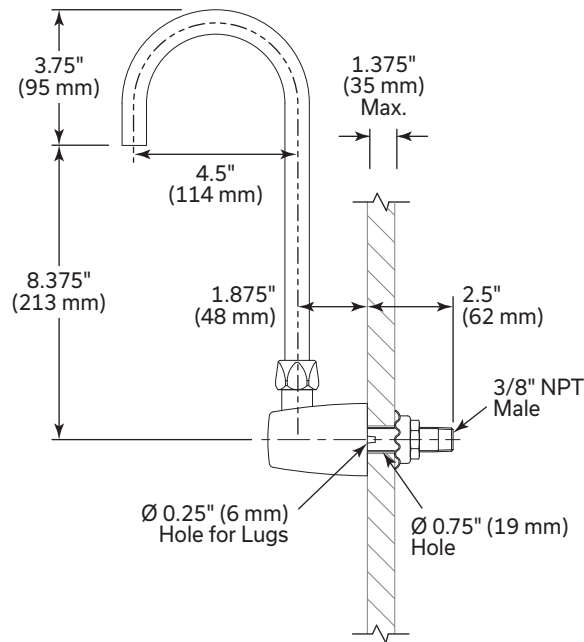
54T5426A

This spec was produced on April 03, 2025.

54T5426A



NOTICE Inlet for 3/8" or 1/2" flexible riser or 1/2-14 NPSM coupling nut (Not Supplied)



NOTICE Dimensions are for reference only, measurements may vary ± 0.25" (6 mm).

Maximum flow rates - 60 psi (414 kPa).

WaterSense® is a registered trademark of the U.S. Environmental Protection Agency.

Masco Canada Limited reserves the right (1) to make changes in specifications and materials, and (2) to change or discontinue models, both without notice or obligation. See current full-line price book for finish options and product availability.