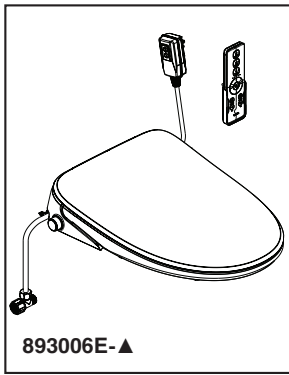




see what Delta can do™

REFRESH PREMIUM ELONGATED ELECTRIC BIDET TOILET SEAT



FEATURES:

- Easy to install, fits most standard elongated toilets
- Includes mounting hardware and water supply line with adapter
- Quick release seat removes easily for cleaning
- Rear and front wash w/massage spray
- Adjustable instant heated water
- Self-cleaning stainless steel wand
- 5 Adjustable water pressure levels
- Wireless remote
- Heated air-drying function
- Heated seat
- Soft close lid

STANDARD SPECIFICATIONS

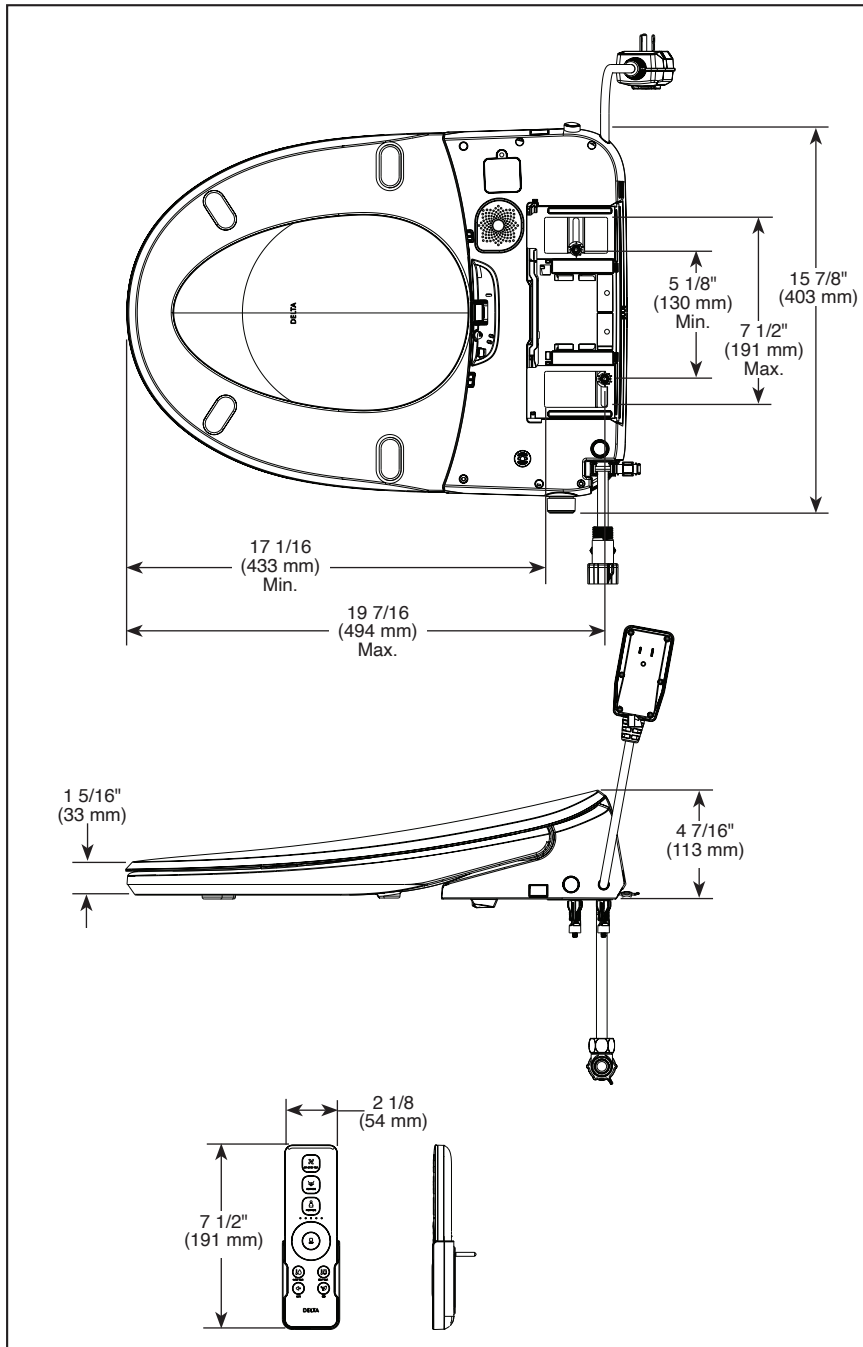
- Elongated shape
- 5 1/8" (130 mm) min - 7 1/2" (191 mm) max seat mounting holes

WARRANTY

- One year limited warranty on toilet seats
- Please go to www.deltafaucet.com for the complete details of our limited warranty.

COMPLIES WITH:

- ASME A1 12.4.2/CSA B45.16
- UL 1431



▲ Designate proper finish suffix

Delta Faucet Company reserves the right (1) to make changes in specifications and materials, and (2) to change or discontinue models, both without notice or obligation. Dimensions are for reference only. See current full-line price book or www.deltatoilet.com for finish options and product availability.

DSP-B-893006E Rev. C

Delta Faucet Company

55 E. 111th Street, Carmel, Indiana 46280
350 South Edgeware Road, St. Thomas, Ontario Canada N5P 4L1
© 2024 Delta Faucet Company