

see what Delta can do™

# REFRESH STANDARD ELONGATED ELECTRIC BIDET TOILET SEAT

## FEATURES:

- Easy to install, fits most standard elongated toilets
- Adjustable mounting for an optimal fit
- Includes mounting hardware and water supply line with adapter
- Quick release seat removes easily for cleaning
- Rear and front wash
- Instant heated water
- Self-cleaning stainless steel wand
- 5 adjustable water pressure levels
- Fixed control panel for settings always by your side
- Soft close lid

## STANDARD SPECIFICATIONS

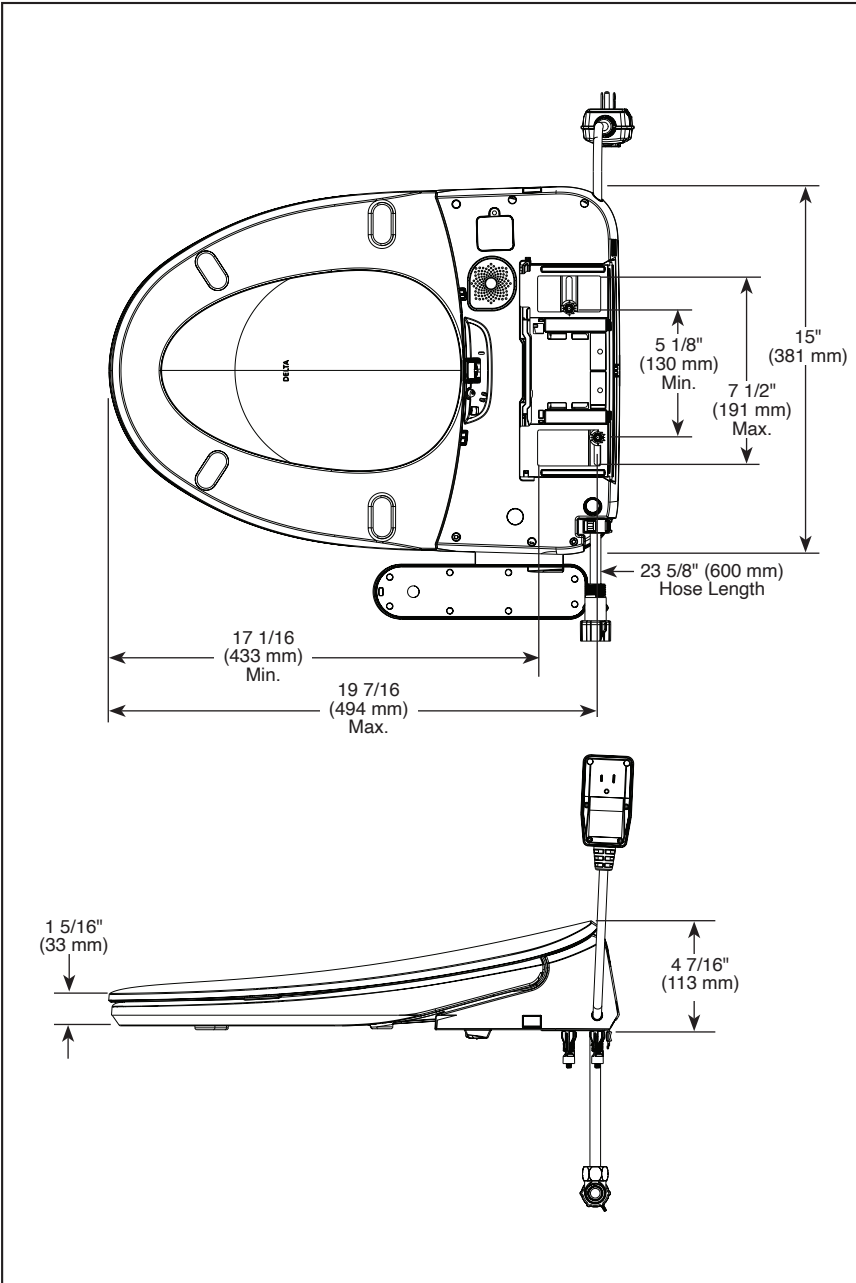
- Elongated shape
- 5 1/8" (130 mm) min - 7 1/2" (191 mm) max seat mounting holes

## WARRANTY

- One year limited warranty on toilet seats
- Please go to [www.deltafaucet.com](http://www.deltafaucet.com) for the complete details of our limited warranty.

## COMPLIES WITH:

- ASME A1 12.4.2/CSA B45.16
- UL 1431



▲ Designate proper finish suffix

Delta Faucet Company reserves the right (1) to make changes in specifications and materials, and (2) to change or discontinue models, both without notice or obligation. Dimensions are for reference only. See current full-line price book or [www.deltatoilet.com](http://www.deltatoilet.com) for finish options and product availability.

DSP-B-893005E Rev. C

## Delta Faucet Company

55 E. 111th Street, Carmel, Indiana 46280  
350 South Edgeware Road, St. Thomas, Ontario Canada N5P 4L1  
© 2024 Delta Faucet Company