



see what Delta can do™

STEAM GENERATOR

- 12KW (EP103327)
- 15KW (EP103328)

FEATURES:

- Microprocessor based diagnostics and LED indication
- Stainless Steel tank construction

STANDARD SPECIFICATIONS:

- Water Supply - 3/8" Compression Fitting, 120 PSI max
- Steam Outlet - 3/4" Brass NPT male thread
- Pressure Relief Valve - 3/4" NPT female thread
- Drain Outlet - Capped 1/2" Brass NPT male thread
- Supplied with a 35' control cord
- Generator shipped weight - 41 lbs
- For optimum performance, the steam generator should be mounted as close as possible to the steam room. If needed, the steam pipe may be up to 50' long.
- Steam Generators should be accessible for service.
- Steam generators must NOT be installed outdoors, in moist, humid areas, in areas prone to freezing, or in areas where temperatures can exceed 104°F.
- Steamhead to be mounted 12" to 18" above floor or 6" above rim of tub and as far from the seating area as possible. Do not locate below the user control.
- Service Access - Minimum 28" L x 18" W x 22" H (35" L with Auto Drain).
- Required Equipment - EP103350 control and steam head
- Required Electrical Service - Dedicated circuit required: See Specification Chart for proper electrical requirements.

STEAM ROOM GUIDELINES

- Steam room must be completely enclosed, with full walls, doors, floor and ceiling.
- It is recommended that a gasketed door is used for steam containment.
- To prevent slip and fall hazards, non-slip flooring or non-slip floor strips must be installed in the steam room.
- Check the suitability of any materials with the manufacturer. Walls and ceilings must be constructed of water-resistant, non-corrosive surface, such as tile, marble, or other non-porous material.
- The ceiling may be sloped to prevent dripping of condensate.
- Provide a floor drain.
- No heating, venting or air conditioning devices should be installed inside the steam room.
- Windows that are part of the steam room should be double paned and tempered safety glass.
- Limit steam room ceiling height to 8 feet. Exceeding 8 feet will require a higher-rated steam generator and may cause poor performance. Max. ceiling height 10'.

WARRANTY

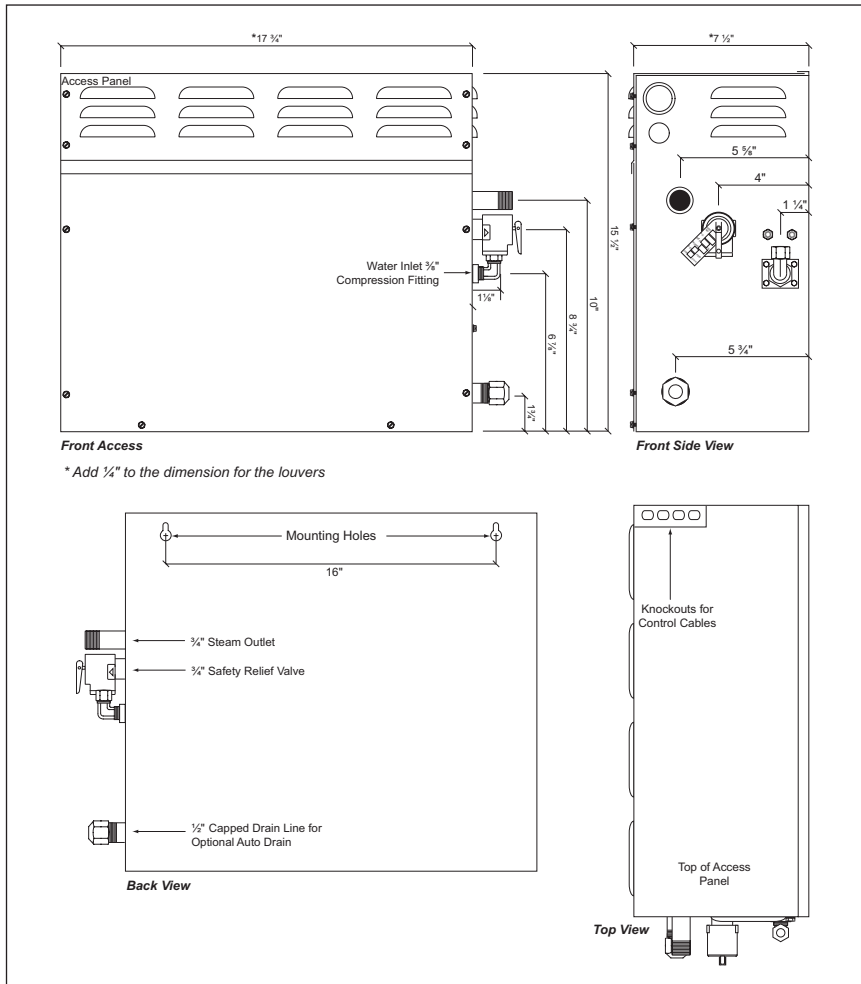
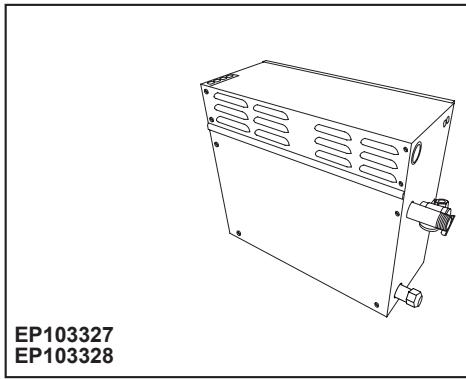
- See separate warranty document

COMPLIES WITH:

- UL/cUL Listed

Delta Faucet Company

55 E. 111th Street, Indianapolis, IN 46280
 350 South Edgeware Road, St. Thomas, ON N5P 4L1
 © 2023 Delta Faucet Company



| Steam Generator Specification Chart | | | | | |
|-------------------------------------|-----------|--------------------------|-----------------------|-----------|----------------------------|
| Model Number | KW Rating | Max. Adj. Cu. Ft. Range* | Volts/Phase/Max. Amps | Line Fuse | Dimensions L x W x H |
| EP103327 | 12 | 550 | 240/1/50 | 60 | 17 3/4" x 7 1/2" x 15 1/2" |
| EP103328 | 15 | 675 | 240/1/63 | 80 | 17 3/4" x 7 1/2" x 15 1/2" |

* Refer to sizing guidelines to accurately determine the proper size generator for the installation.
 90°C copper wire is required for generator connection. Installation shall be in accordance with NEC and local electrical codes.

Delta reserves the right (1) to make changes in specifications and materials, and (2) to change or discontinue models, both without notice or obligation. Dimensions are for reference only. See current full-line price book or www.deltafaucet.com for finish options and product availability.