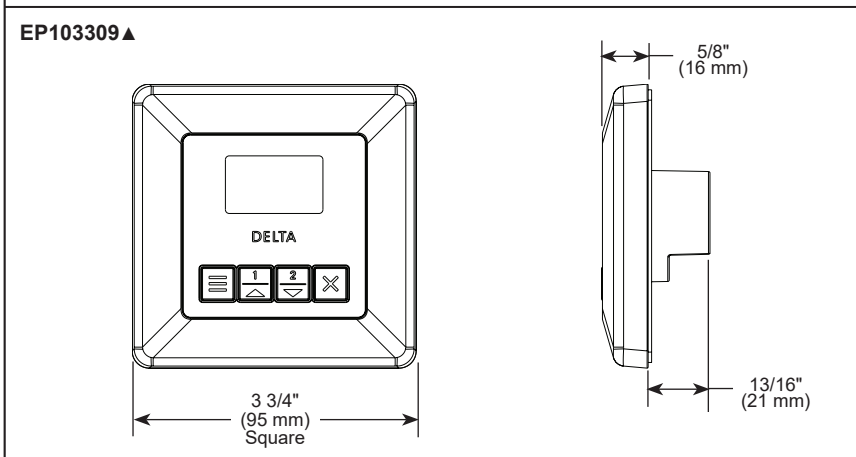
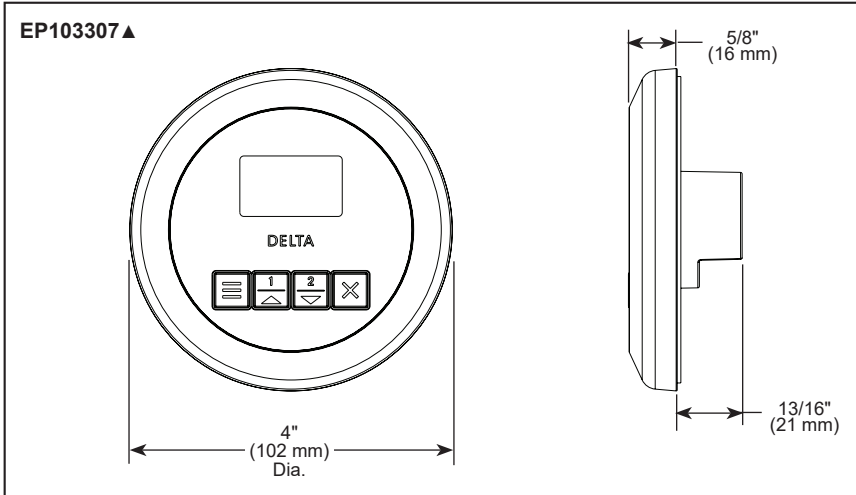
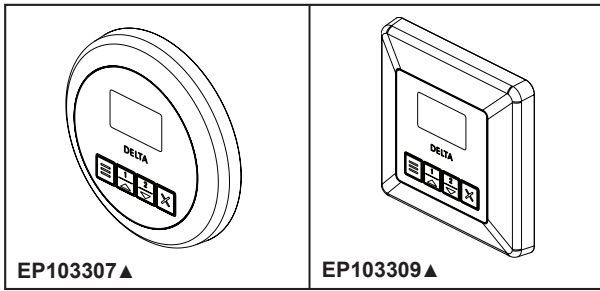




see what Delta can do<sup>SM</sup>

## STEAMBATH INTERFACE

- Contemporary Round (EP103307▲)
- Transitional Square (EP103309▲)



### FEATURES:

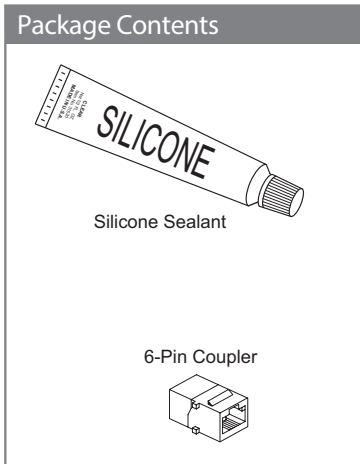
- Programmable time and temperature
- Temperature range 60°F min to 125°F max
- Time programmable up to 60 minutes
- Digital display of ambient temperature, set temperature, and elapsed time
- 2 User presets
- Patented Dual Sensor Technology: The control features dual temperature sensors that deliver extremely accurate temperature precision to smoothly regulate the steam shower environment

### STANDARD SPECIFICATIONS:

- Surface Mount - 1 1/2" hole required
- Must mount inside the steam room
- The multi-conductor cable should be run through 3/4" conduit to protect cable from damage and to facilitate easy replacement.
- Mount control near seating area and not above Steam head.
- Control should be mounted 48" above the floor
- Steam head to be mounted 12" to 18" above the finished floor or 6" above the rim of the tub and as far from the seating area as possible.
- Required Electrical Service: Low-voltage connection from 5GE-SMP series generators via multi-conductor cable (supplied with steam generator)
- Model is not compatible with 5SP-MU-3 audio accessory

### WARRANTY

- Please see separate warranty documentation



### ▲ Designate Proper Finish Suffix

Delta reserves the right (1) to make changes in specifications and materials, and (2) to change or discontinue models, both without notice or obligation. Dimensions are for reference only. See current full-line price book or [www.deltafaucet.com](http://www.deltafaucet.com) for finish options and product availability.

DSP-S-EP103307 Rev. A

### Delta Faucet Company

55 E. 111th Street, Indianapolis, IN 46280  
 350 South Edgeware Road, St. Thomas, ON N5P 4L1  
 © 2023 Delta Faucet Company