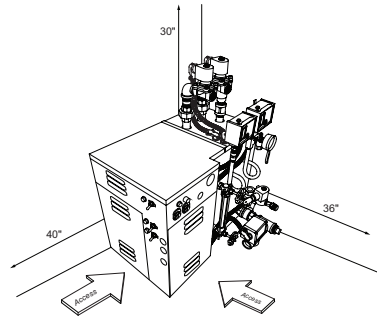


5COM09-PAC-609-240-01
 5COM09-PAC-609-208-01
 5COM09-PAC-609-240-03
 5COM09-PAC-609-208-03
 5COM12-PAC-612-240-01
 5COM12-PAC-612-208-01
 5COM12-PAC-612-208-03
 5COM12-PAC-612-480-03
 5COM15-PAC-615-240-01
 5COM15-PAC-615-208-01
 5COM15-PAC-615-208-03
 5COM15-PAC-615-480-03
 5COM18-PAC-618-240-01
 5COM18-PAC-618-208-01
 5COM18-PAC-618-208-03
 5COM18-PAC-618-480-03
 5COM24-PAC-624-240-01
 5COM24-PAC-624-208-01
 5COM24-PAC-624-240-03
 5COM24-PAC-624-208-03
 5COM24-PAC-624-480-03



see what Delta can do™

COMMERCIAL STEAM GENERATOR

- 9KW (5COM09)
- 12KW (5COM12)
- 15KW (5COM15)
- 18KW (5COM18)
- 24KW (5COM24)

FEATURES:

- Automatic Regulator Pressure Control
- High Limit Pressure Control with Manual Reset
- Pressure Gauge
- Sight Glass Gauge
- Check Valves
- Drain Valve
- Silicone Steam Head Cover
- Low Water safety cut-off to deenergize the heater in the event of a low water condition
- Automatic Microprocessor controlled water feed with stainless steel probes

STANDARD SPECIFICATIONS:

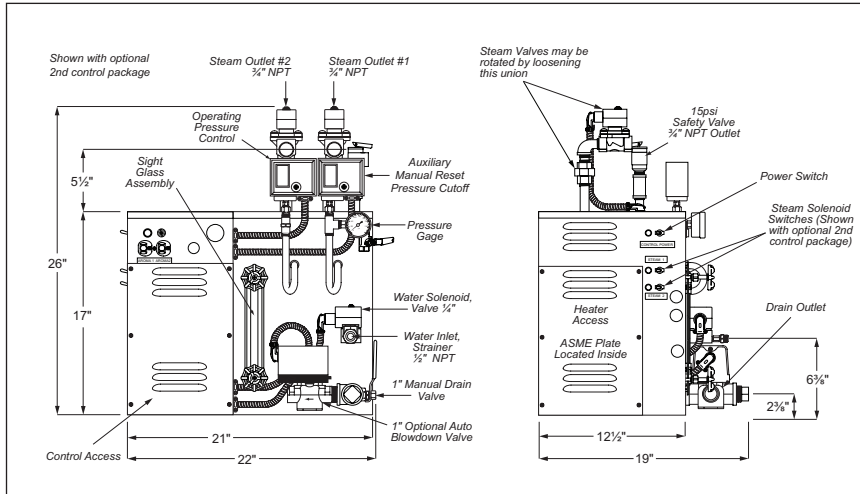
- Dimensions: 22" L x 19" W x 26" H
- Generator Shipping Weight: 5COM9 thru 24 - 200lb and 5COM30 thru 48 - 300lb
- Operating Pressure: Max. 15 PSI
- Water Feed: 1/2" NPT
- Steam Output: 3/4" NPT
- Commercial generators are designed to support round the clock operation
- Can program 2 steam rooms with one control when paired with 5COM-CN-010CR Second Room Package

OPTIONAL EQUIPMENT

- 5COM-CN-010CR - Second Room Package
- 5COM-GA-014-208 - Automatic Blowdown Valve - 208V
- 5COM-GA-015-240 - Automatic Blowdown Valve - 480/240V
- 5COM-CN-016CS - Temperature Alert
- 5COM-SP-MU-50 - Commercial Aroma Pump
- 5COM-SP-018-50 - Eucalyptus Aromatherapy Pure Oil - 1.1 liter bottle
- 5COM-GA-005 - Commercial Stand
- 5COM-GA-007 - ASME Blowdown Tank
- 5COM-GA-020 - Aux Cutoff Control
- 5COM-GA-021 - Blowdown Tempering Valve

COMPLIES WITH:

- ASME BPVC Section I
- UL Listed



Specification Chart

Model Number	kW	Max. Cu. Ft. Range	Volts	Phase	Amps	Breaker Size
5COM09-PAC-609-240-01	9	400	240	1	38	50
5COM09-PAC-609-208-01			208	1	43	60
5COM09-PAC-609-240-03			240	3	22	30
5COM09-PAC-609-208-03			208	3	25	35
5COM12-PAC-612-240-01	12	500	240	1	50	70
5COM12-PAC-612-208-01			208	1	58	80
5COM12-PAC-612-208-03			208	3	33	45
5COM12-PAC-612-480-03			480	3	15	20
5COM15-PAC-615-240-01	15	620	240	1	63	80
5COM15-PAC-615-208-01			208	1	72	90
5COM15-PAC-615-208-03			208	3	42	60
5COM15-PAC-615-480-03			480	3	18	25
5COM18-PAC-618-240-01	18	740	240	1	75	100
5COM18-PAC-618-240-03			240	3	43	60
5COM18-PAC-618-208-03			208	3	50	70
5COM18-PAC-618-480-03			480	3	22	30
5COM24-PAC-624-240-01	24	1000	240	1	100	125
5COM24-PAC-624-208-01			208	1	115	150
5COM24-PAC-624-240-03			240	3	58	80
5COM24-PAC-624-208-03			208	3	67	90
5COM24-PAC-624-480-03			480	3	29	40

WARRANTY

- Steam Generators – Lifetime limited warranty; or for commercial purchasers (including for steam bath generators with model numbers beginning with 5COM, which are intended solely for heavy commercial use), one (1) year from the date the product is received by the original purchaser or their authorized representative (installation contractor, etc.).
- Electronic Parts for Steam Bath Generators, Controls, Spa Options and Accessories – two (2) years from the date the product is received by the original consumer purchaser or their authorized representative (installation contractor, etc.); or for commercial purchasers, one (1) year from the date the product is received by the original purchaser or their authorized representative (installation contractor, etc.).
- Please go to www.deltafaucet.com for the complete details of our limited warranty.

Delta reserves the right (1) to make changes in specifications and materials, and (2) to change or discontinue models, both without notice or obligation. Dimensions are for reference only. See current full-line price book or www.deltafaucet.com for finish options and product availability.

DSP-S-5COM09 Rev. B

Delta Faucet Company

55 E. 111th Street, Carmel, IN 46280
 350 South Edgeware Road, St. Thomas, ON N5P 4L1
 © 2024 Delta Faucet Company