

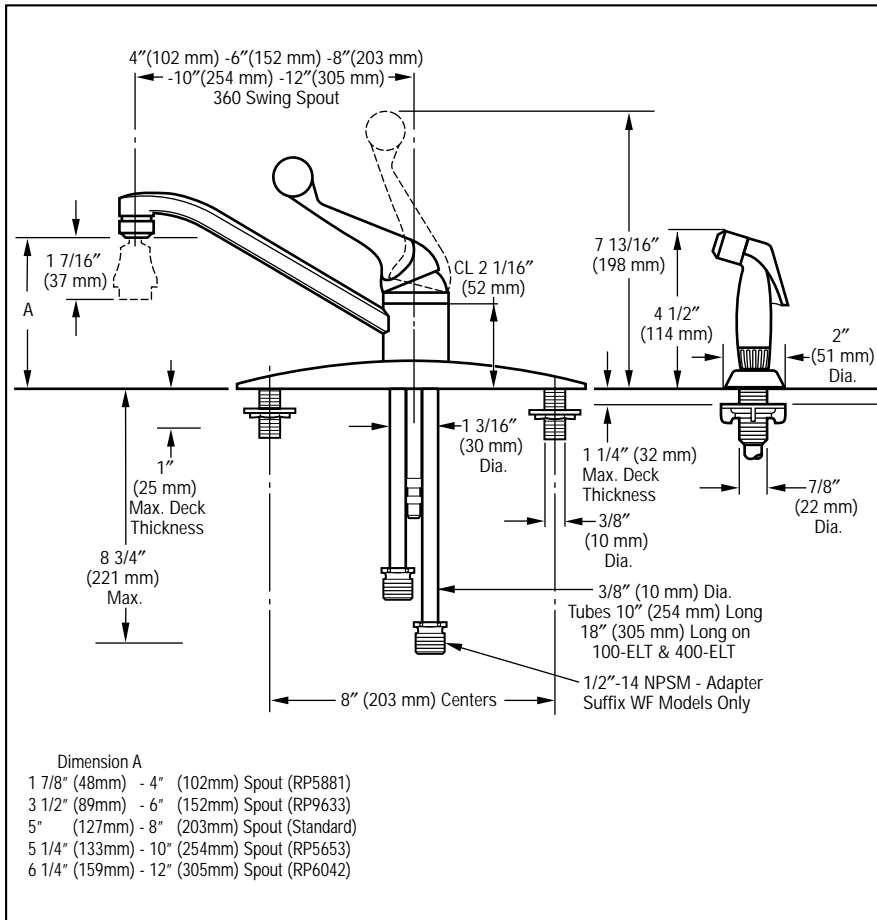
100
100-WF
100-WF10

110-WF10

400
400-10
400-ELT

Submitted Model No.: _____

Specific Features: _____



DELTA[®]

KITCHEN FAUCETS

- Classic Series
- Single Handle Deck Mount
- 3 and 4 Hole Sink Applications

STANDARD SPECIFICATIONS:

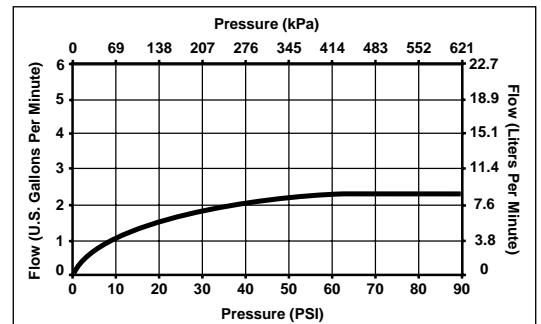
- Solid brass fabricated body.
- Standard 8" (203 mm) long spout swings 360°.
- 10" (254mm) long spout swings 360°. Standard on models 100-WF10, 110-WF10 and 400-10.
- Lever handle. Control mechanism shall be of the rotating stainless steel ball type with replaceable non-metallic seats operating in stainless steel lined sockets.
- Control handle shall return to neutral position when valve is turned off.
- Model 400 series with spray attachment has anti-siphon device as integral part of valve body.
- Model 100, 110 and 400 series without dispenser can be field converted from 8" (203 mm) to 6" (152 mm) centers.
- Quick Snap[®] vegetable sprayer hose with white sprayhead on model 400 series - 45" (1143mm) long hose.
- 3/8" O.D. copper tube inlets - 10" (854mm) long.
- Models with suffix "WF" supplied with 1/2"-14 NPSM adapters.
- Model 400-ELT has 18" (457mm) extra long supply tubes.
- Model 110-WF10 ships with 360° swivel spray aerator (RP2189).

WARRANTY

- Lifetime Faucet and Finish Limited Warranty to the original consumer purchaser to be free from defects in material and workmanship.
- 5 Year Limited Warranty for usage in all industrial, commercial and business applications.

COMPLIES WITH:

- ASME A112.18.1 / CSA B125.1
- NSF 61
- ☒ Indicates ADA compliance to ICC/ANSI A117.1
- IAPMO Listed
- CSA Certified



Indianapolis, Indiana 46280
A Division of Masco Corporation of Indiana
© 2006 Masco Corporation of Indiana

Delta reserves the right (1) to make changes in specifications and materials, and (2) to change or discontinue models, both without notice or obligation. Dimensions are for reference only. See current full-line price book for finish options and product availability.

DSP-K-100 Rev. E