



see what Delta can do™

KITCHEN SINKS

- Marca® Collection
- Dual Mount

FEATURES:

- Dual Mount Single Bowl Sink
- Rear Offset Drain
- NoiseDefend Undercoating and Sound Dampening Pads

STANDARD SPECIFICATIONS:

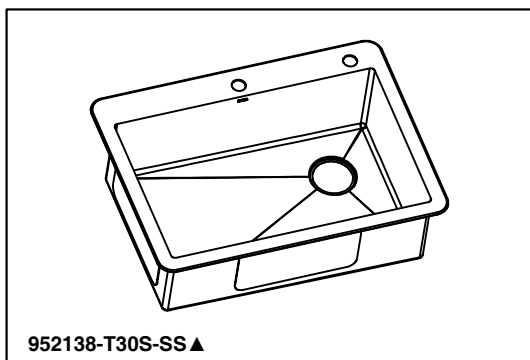
- 18 Gauge Stainless Steel Construction
- Required Minimum Cabinet Size: 33" Left to Right, 24" Front to Back
- 3 7/8" Drain Opening
- Strainer ADU25-SS (included)
- Strainer Cap AEU25-SS (included)
- Bottom Grid AFU38-TM30-BL (included)
- Soap Mat ACU25-SSM-BL (included)
- Cut-Out Template (included)
- Mounting Hardware (included)

WARRANTY:

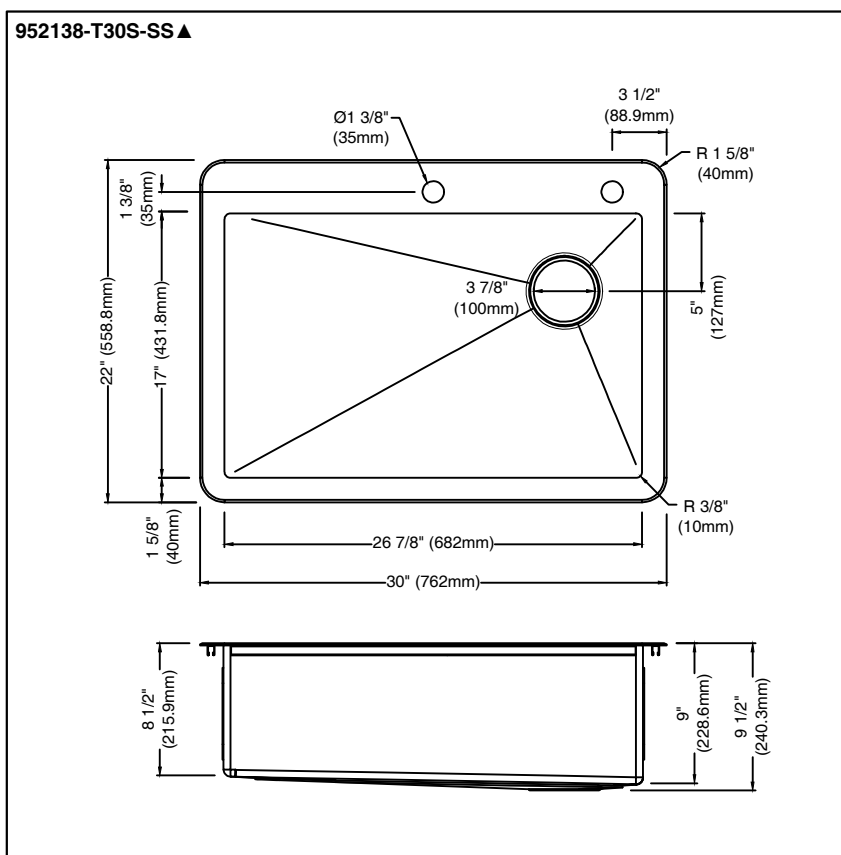
- Lifetime Limited Warranty

COMPLIES WITH:

- cUPC (ASME A112.19.3/CSA B45.4)



952138-T30S-SS ▲



▲ Designate proper finish suffix

Delta reserves the right (1) to make changes in specifications and materials, and (2) to change or discontinue models, both without notice or obligation. Dimensions are for reference only. See current full-line price book or www.deltafaucet.com for finish options and product availability.

Delta Faucet Company

55 E. 111th Street, Indianapolis, IN 46280
350 South Edgeware Road, St. Thomas, ON N5P 4L1
Sinksupport@deltafaucet.com
© 2021 Delta Faucet Company



see what Delta can do™

KITCHEN ACCESSORY

- Kitchen Sink Grid

FEATURES:

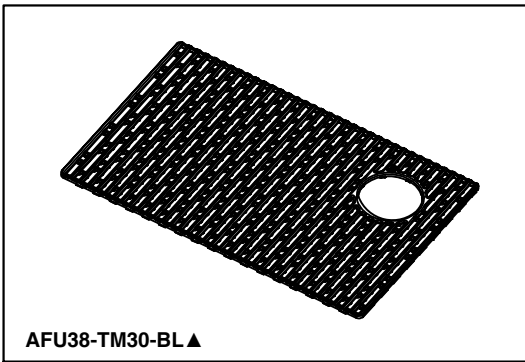
- For use with the 952138-T30S-SS kitchen sink
- Protects bottom of the sink from daily wear and tear
- Silicone feet provide additional protection

STANDARD SPECIFICATIONS:

- Silicone Construction
- Product Height: 1/2"
- Product Length: 26 5/8"
- Product Width: 16 3/4"

WARRANTY:

- 1 Year Limited Warranty

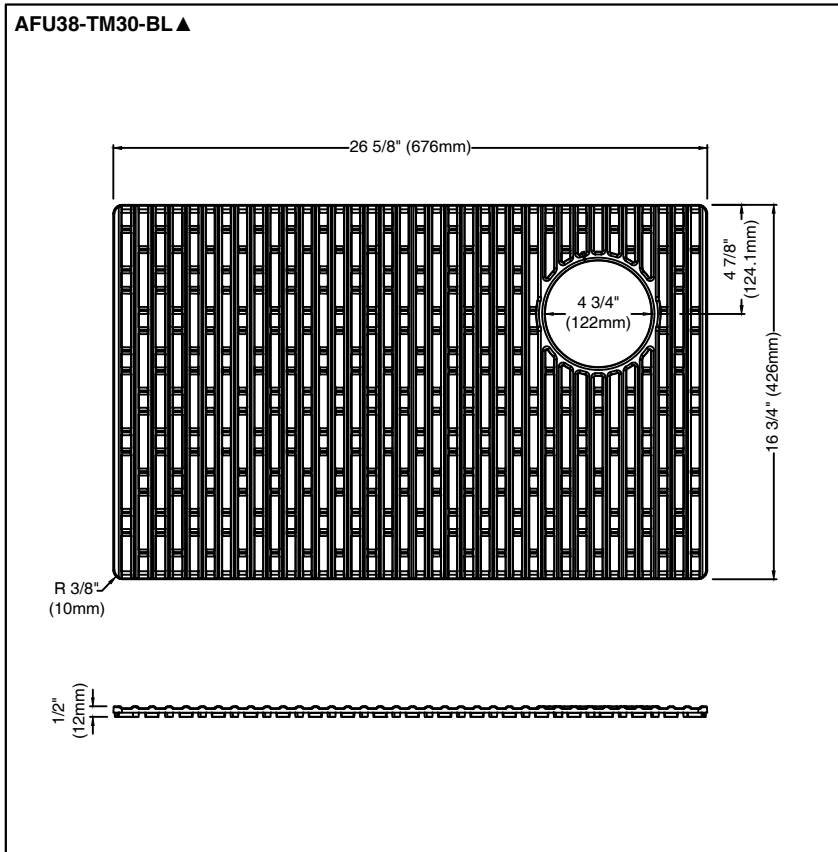


AFU38-TM30-BL ▲

Submitted Model No.: _____

Specific Features: _____

AFU38-TM30-BL ▲



▲ Designate proper finish suffix

Delta reserves the right (1) to make changes in specifications and materials, and (2) to change or discontinue models, both without notice or obligation. Dimensions are for reference only. See current full-line price book or www.deltafaucet.com for finish options and product availability.

Delta Faucet Company

55 E. 111th Street, Indianapolis, IN 46280
350 South Edgeware Road, St. Thomas, ON N5P 4L1
Sinksupport@deltafaucet.com
© 2021 Delta Faucet Company



see what Delta can do™

KITCHEN ACCESSORY

■ Decorative Drain Cover

FEATURES:

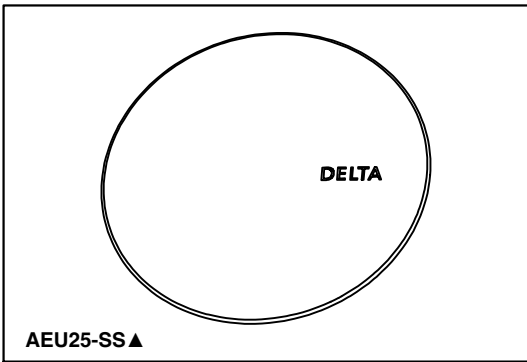
- Large removable decorative drain cover for kitchen sink
- Conceals garbage disposal and waste fittings
- Open sides ensure optimal drainage and allows water to drain easily even when sink is full
- Durable Stainless Steel Construction
- Fits over most garbage disposals and all standard strainers with a drain opening of 3.5" - 4"

STANDARD SPECIFICATIONS:

- Stainless Steel Construction
- Product Height: 3/4"
- Product Length: 4 1/8"
- Product Width: 4 1/8"

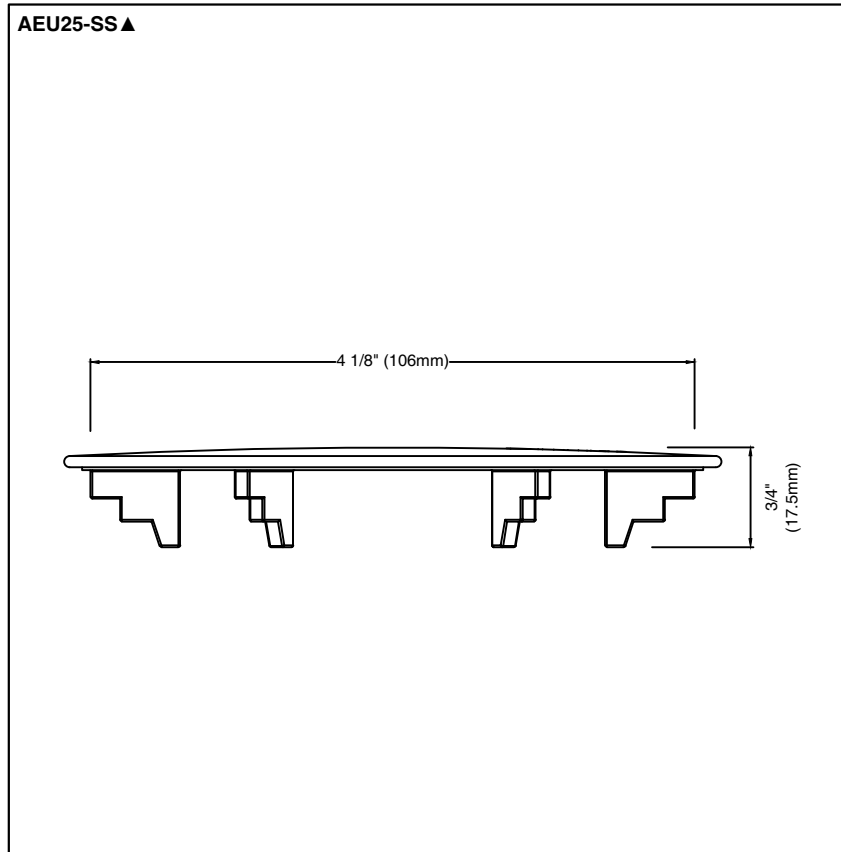
WARRANTY:

- 1 Year Limited Warranty



Submitted Model No.: _____

Specific Features: _____



▲ Designate proper finish suffix

Delta reserves the right (1) to make changes in specifications and materials, and (2) to change or discontinue models, both without notice or obligation. Dimensions are for reference only. See current full-line price book or www.deltafaucet.com for finish options and product availability.

Delta Faucet Company

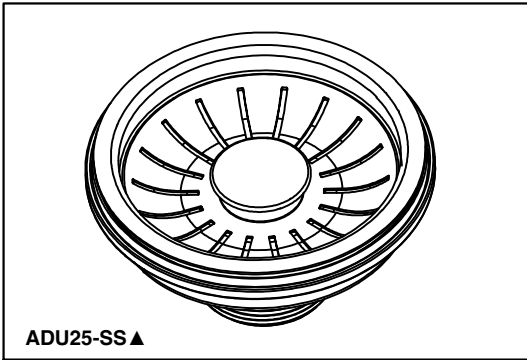
55 E. 111th Street, Indianapolis, IN 46280
350 South Edgeware Road, St. Thomas, ON N5P 4L1
Sinksupport@deltafaucet.com
© 2021 Delta Faucet Company



see what Delta can do™

KITCHEN ACCESSORY

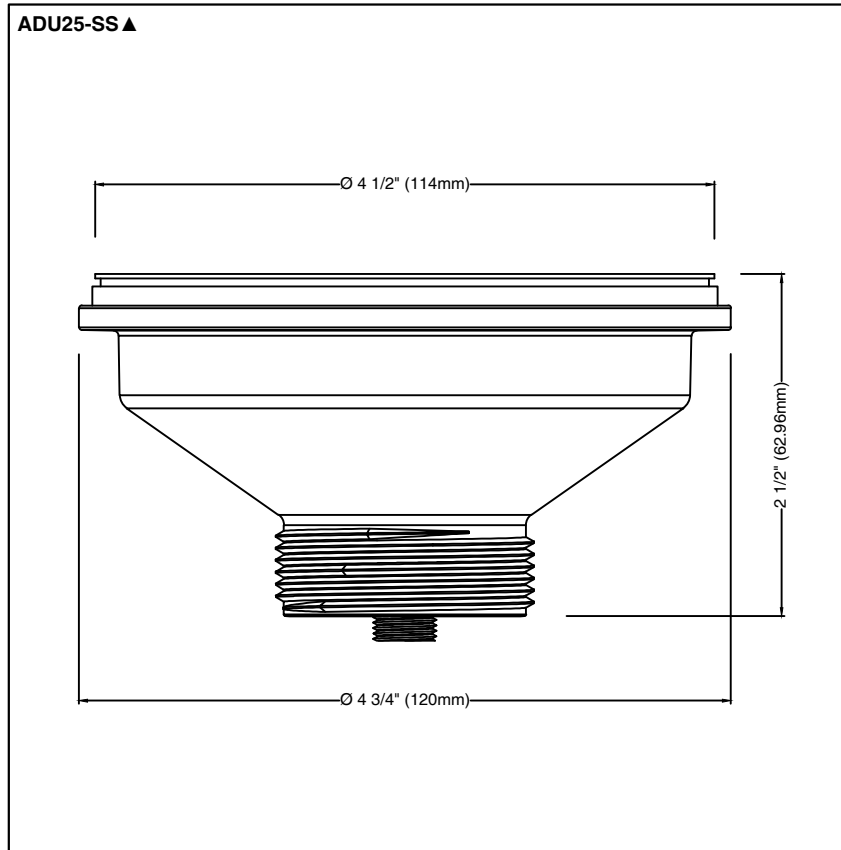
■ Kitchen Strainer



ADU25-SS ▲

Submitted Model No.: _____

Specific Features: _____



▲ Designate proper finish suffix

Delta reserves the right (1) to make changes in specifications and materials, and (2) to change or discontinue models, both without notice or obligation. Dimensions are for reference only. See current full-line price book or www.deltafaucet.com for finish options and product availability.

FEATURES:

- Strainer traps food particles and debris to keep drain clear
- Maximizes your sinks functionality and complements the look of your kitchen
- The open/close stopper creates a tight seal that prevents food and debris from clogging the drainpipe
- Durable Stainless Steel Construction
- Compatible with 95A931-25S-SS, 95A931-30S-SS, 95A931-33D-SS, 95A931-33S-SS, 95A932-25S-SS, 95A932-30S-SS, 95A932-33S-SS, 95B931-27S-SS, 95B931-30S-SS, 95B931-32S-SS, 95B931-33D-SS, 95B932-27S-SS, 95B932-30S-SS and 95B932-32S-SS kitchen sinks

STANDARD SPECIFICATIONS:

- Stainless Steel Construction
- Product Height: 2 1/2"
- Product Length: 4 1/2"
- Product Width: 4 1/2"

WARRANTY:

- 1 Year Limited Warranty

Delta Faucet Company

55 E. 111th Street, Indianapolis, IN 46280
350 South Edgeware Road, St. Thomas, ON N5P 4L1
Sinksupport@deltafaucet.com
© 2021 Delta Faucet Company



see what Delta can do™

KITCHEN ACCESSORY

■ Kitchen Soap Mat

FEATURES:

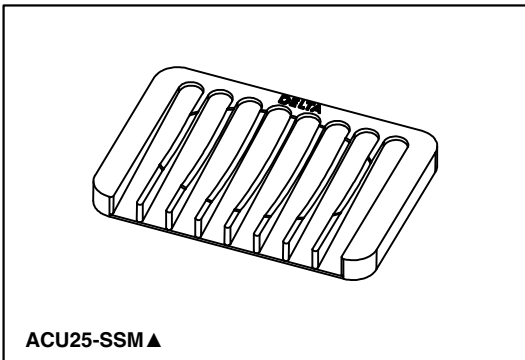
- Soap tray: perfect for use by the kitchen sink, bathroom sink, or shower, this soap holder is the perfect place for a bar of soap
- Modern design: the modern design of the soap mat coordinates with the kdm-10 dish drying mat. It is made of sleek, modern silicone material and is available in multiple colors
- Self-draining: this tray self-drains in order to remove excess water to maintain a dry, clean appearance and keep your soap lasting longer
- Raised, angled, silicone ribs to draw water into your sink or tub and removes the build up of soap scum and the need to clean as frequently
- Unique design holds your bar of soap flat regardless of where they are placed on the mat
- Can also be used with small accessories – jewelry, glasses, sponges, razors, etc.
- Perfect size for use when traveling
- 100% food-safe silicone coating: BPA-free
- Heat-resistant up to 400°F
- Easy to clean: simply rinse it off right in the sink
- Available in Black and Grey

STANDARD SPECIFICATIONS:

- Black Silicone Composite
- Product Height: 3/8"
- Product Length: 4 1/2"
- Product Width: 3 1/8"

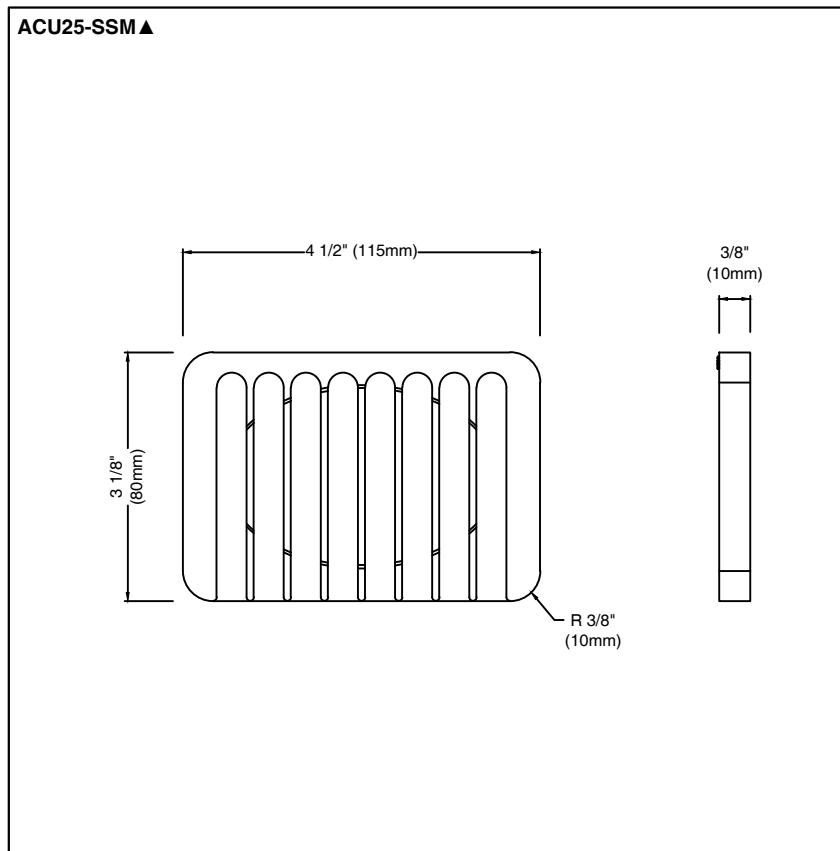
WARRANTY:

- 1 Year Limited Warranty



Submitted Model No.: _____

Specific Features: _____



▲ Designate proper finish suffix

Delta reserves the right (1) to make changes in specifications and materials, and (2) to change or discontinue models, both without notice or obligation. Dimensions are for reference only. See current full-line price book or www.deltafaucet.com for finish options and product availability.

Delta Faucet Company

55 E. 111th Street, Indianapolis, IN 46280
350 South Edgeware Road, St. Thomas, ON N5P 4L1
Sinksupport@deltafaucet.com
© 2021 Delta Faucet Company