

see what Delta can do™

ACCESSORIES

■ Bottle-Trap

STANDARD SPECIFICATIONS:

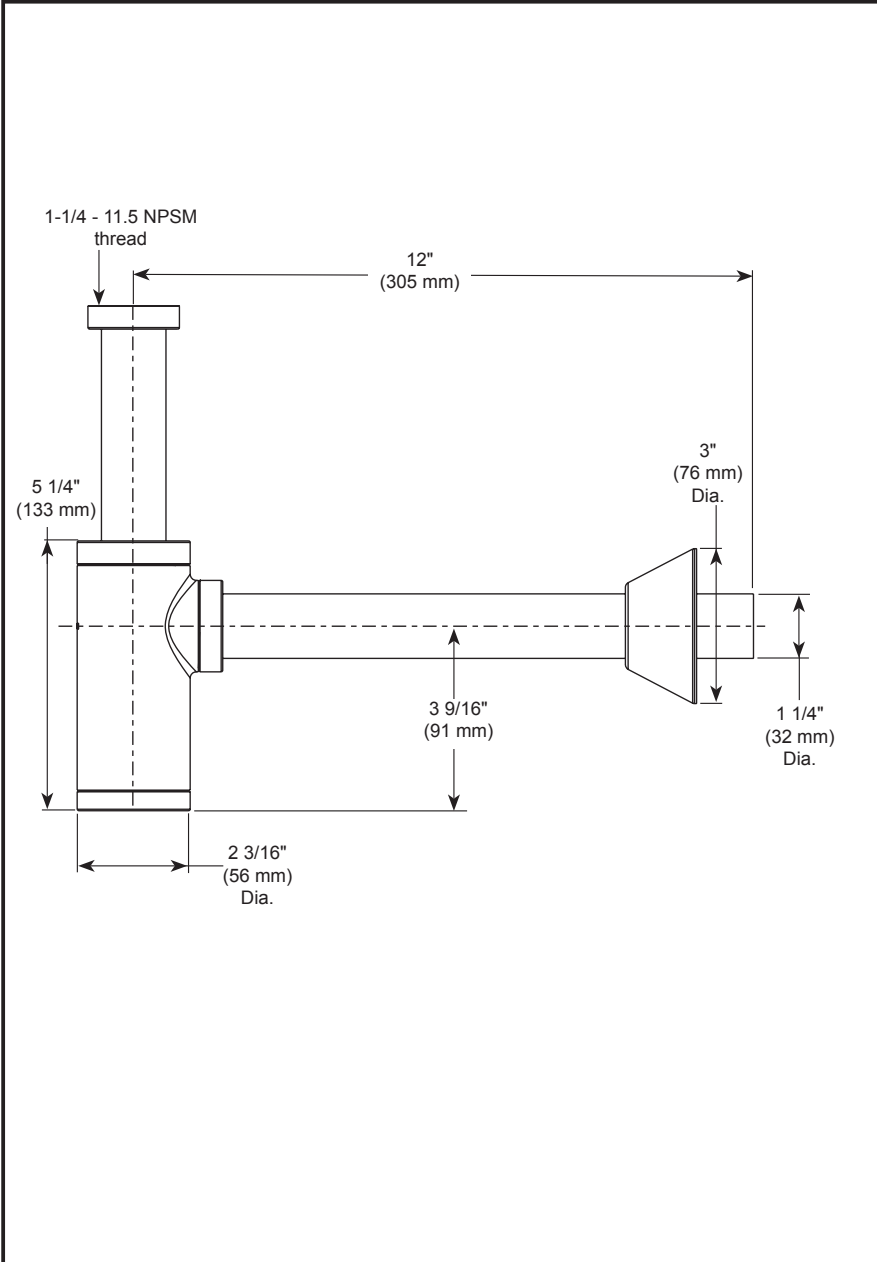
- Finished to match Delta products
- Brass construction
- 12" straight arm
- Escutcheon included
- Removable cleanout cover
- Optional extension RP103666▲ for compression slip fitting installation compatible with 1-1/4" diameter drain tailpieces.

WARRANTY

- Parts and Finish - Lifetime limited warranty; or for commercial purchasers, 10 years for multi-family residential (apartments and condominiums) and 5 years for all other commercial uses, in each case from the date of purchase.
- Electronic Parts and Batteries (if applicable) - 5 years from the date of purchase; or for commercial purchasers, 1 year from the date of purchase. No warranty is provided on batteries.

COMPLIES WITH:

- ASME A112.18.2 / CSA B125.2



▲ Designate proper finish suffix

Delta reserves the right (1) to make changes in specifications and materials, and (2) to change or discontinue models, both without notice or obligation. Dimensions are for reference only. See current full-line price book or www.deltafaucet.com for finish options and product availability.

DSP-A-DT041141 Rev. B

Delta Faucet Company

55 E. 111th Street, Indianapolis, IN 46280
350 South Edgeware Road, St. Thomas, ON N5P 4L1
© 2024 Delta Faucet Company