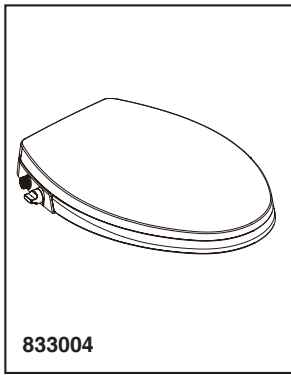




see what Delta can do™

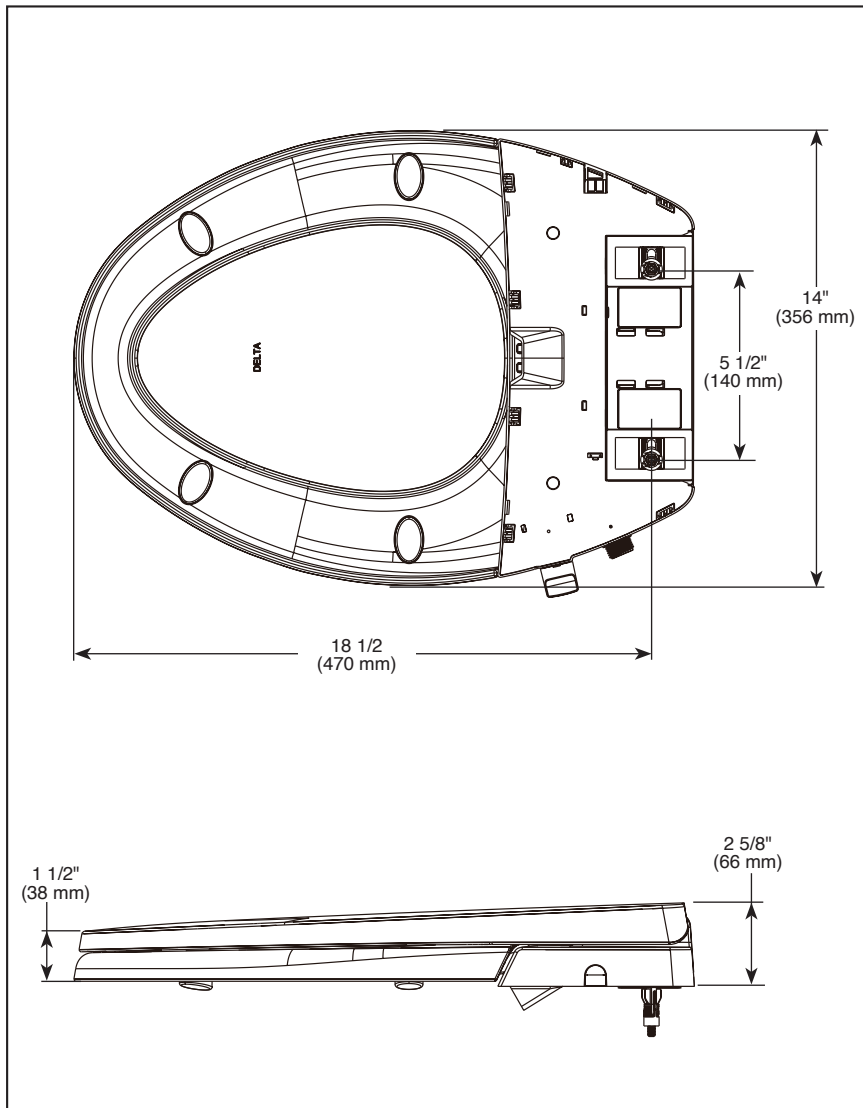
MANUAL BIDET ELONGATED TOILET SEAT



833004

Submitted Model No.: _____

Specific Features: _____



FEATURES:

- Easy to install, fits most standard elongated toilets
- Includes mounting hardware and water supply line with adapter
- Quick release seat removes easily for cleaning
- Durable seat with No Slip bumpers keeps the seat from shifting during use
- Slow closing hinges prevent seat from slamming
- Manual bidet features front and rear sprays
- Self-cleaning bidet wand automatically rinses after each use

STANDARD SPECIFICATIONS

- Elongated shape
- 5 1/2" (140 mm) seat mounting holes

WARRANTY

- One year warranty on toilet seats

COMPLIES WITH:

- IAPMO / ANSI Z 124.5
- ASME A112.4.2/CSA B45.16

Delta reserves the right (1) to make changes in specifications and materials, and (2) to change or discontinue models, both without notice or obligation. Dimensions are for reference only. See current full-line price book or www.deltatilet.com for finish options and product availability.

DSP-B-833004 Rev. B

Delta Faucet Company

55 E. 111th Street, Indianapolis, Indiana 46280
350 South Edgeware Road, St. Thomas, Ontario Canada N5P 4L1
© 2022 Delta Faucet Company