



# Delta Shower Door Measurement Guide

Before you customize your dream door, you need to make sure you have the correct measurements:

## Identify Vertical and Horizontal Openings with Threshold Depth

Height (A), Widths (B), and Depth (C). Widths (B) measurements are often not the same so doors can be adjusted up to 3/8"

### A) Vertical Opening

Measure from the top of the shower or bathtub threshold up to the top of the acrylic (or tile) surround wall

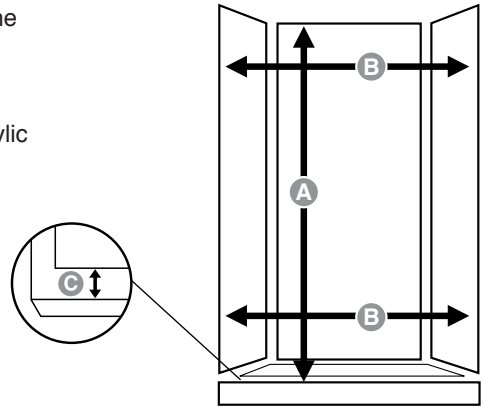
### B) Horizontal Opening

Measure width of opening at the top and the bottom of the enclosure.

### C) Threshold/Sill

Measure the depth from front to back (edge to edge) of the shower or bathtub threshold.

Sliding Shower Doors



## Available Sizes:

### • 48" Shower

- Fits openings between 47-3/8" minimum – 47-7/8" maximum
- Finished Door Height: 76"
- Minimum Required Clearance Height for Installation: 78"
- Threshold/Sill Depth Requirement: 1-3/4"
- Studs required 1-1/2" from front surface of threshold/sill

### • 60" Shower

- Fits openings between 59-3/8" minimum – 59-7/8" maximum
- Finished Door Height: 76"
- Minimum Required Clearance Height for Installation: 78"
- Threshold/Sill Depth Requirement: 1-3/4"
- Studs required 1-1/2" from front surface of threshold/sill

## RECORD DIMENSIONS BELOW

	Opening
Height (A):	
Width of widest point (B):	
Width at narrowest point (B):	

### \*\*Disclaimers

- For ceramic tile application, use the top of the tile for the maximum door height.
- In older homes the opening at the top is often wider than the bottom due to an out-of-plumb condition.
- NOTE: All Delta Shower Doors are designed to accommodate out-of-plumb conditions totaling 3/8".

### Need Additional Assistance with Delta Shower Doors?

Call us at 1.800.964.4850

Visit us at [www.deltashowerdoors.com](http://www.deltashowerdoors.com)

Email us at [customersolutions@deltashowerdoors.com](mailto:customersolutions@deltashowerdoors.com)