



see what Delta can do™

## KITCHEN SINKS

- Lenta® Collection
- Undermount

### FEATURES:

- Undermount Single Bowl Sink
- Rear Center Set Drain
- NoiseDefend Undercoating and Sound Dampening Pads

### STANDARD SPECIFICATIONS:

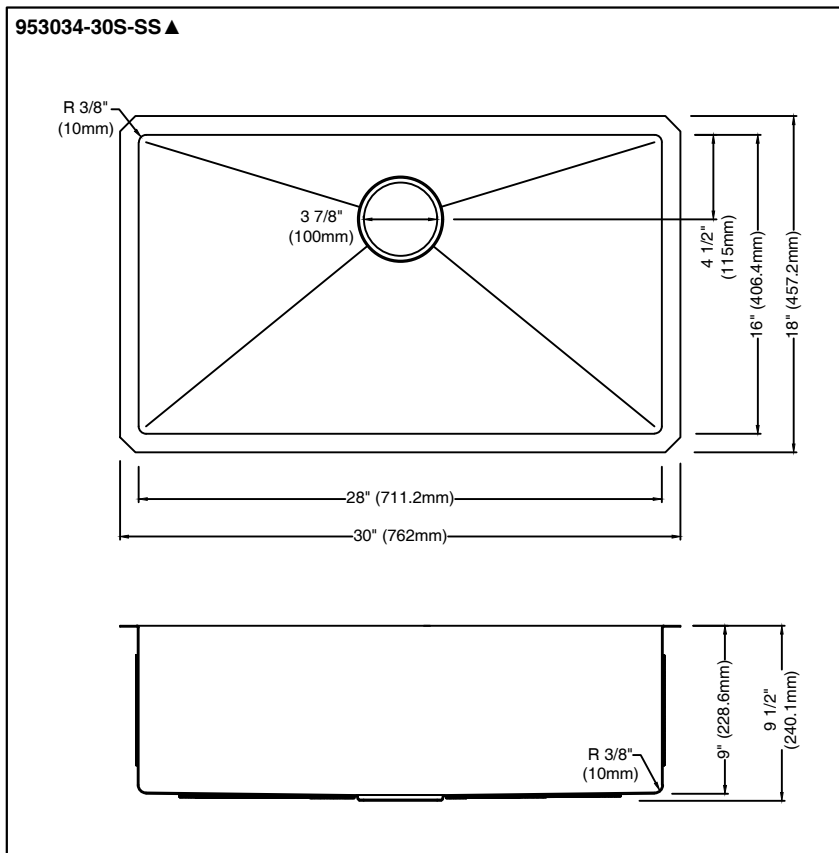
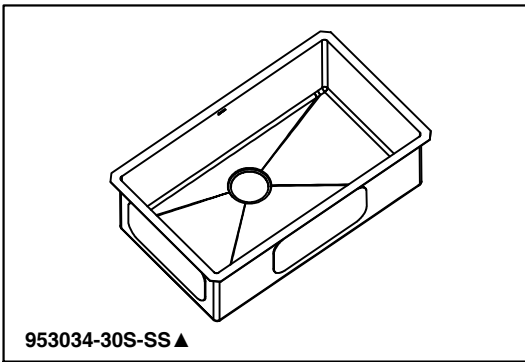
- 16 Gauge Stainless Steel Construction
- Required Minimum Cabinet Size: 33" Left to Right, 24" Front to Back
- 3 7/8" Drain Opening
- Strainer ADU25-SS (included)
- Bottom Grid AFU34-UM30-BL (included)
- Cut-Out Template (included)
- Undermount Hardware (included)

### WARRANTY:

- Lifetime Limited Warranty

### COMPLIES WITH:

- cUPC (ASME A112.19.3/CSA B45.4)



#### ▲ Designate proper finish suffix

Delta reserves the right (1) to make changes in specifications and materials, and (2) to change or discontinue models, both without notice or obligation. Dimensions are for reference only. See current full-line price book or [www.deltafaucet.com](http://www.deltafaucet.com) for finish options and product availability.

#### Delta Faucet Company

55 E. 111th Street, Indianapolis, IN 46280  
350 South Edgeware Road, St. Thomas, ON N5P 4L1  
[Sinksupport@deltafaucet.com](mailto:Sinksupport@deltafaucet.com)  
© 2021 Delta Faucet Company



see what Delta can do™

## KITCHEN ACCESSORY

- Kitchen Sink Grid

### FEATURES:

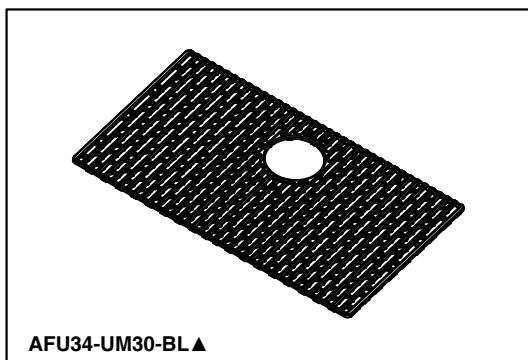
- For use with the 953034-30S-SS kitchen sink
- Protects bottom of the sink from daily wear and tear
- Silicone feet provide additional protection

### STANDARD SPECIFICATIONS:

- Silicone Construction
- Product Height: 1/2"
- Product Length: 27 3/4"
- Product Width: 15 3/4"

### WARRANTY:

- 1 Year Limited Warranty

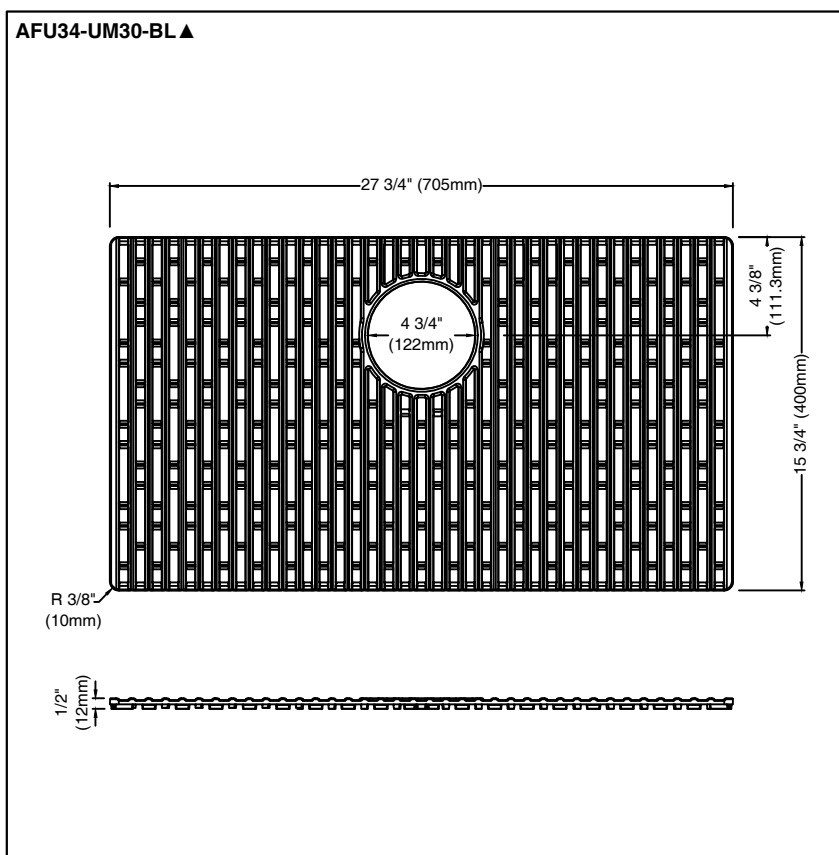


AFU34-UM30-BL ▲

Submitted Model No.: \_\_\_\_\_

Specific Features: \_\_\_\_\_

AFU34-UM30-BL ▲



### ▲ Designate proper finish suffix

Delta reserves the right (1) to make changes in specifications and materials, and (2) to change or discontinue models, both without notice or obligation. Dimensions are for reference only. See current full-line price book or [www.deltafaucet.com](http://www.deltafaucet.com) for finish options and product availability.

### Delta Faucet Company

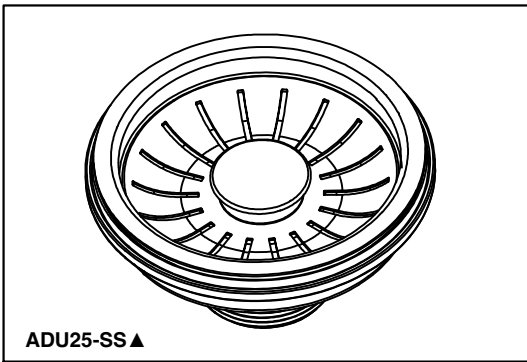
55 E. 111th Street, Indianapolis, IN 46280  
350 South Edgeware Road, St. Thomas, ON N5P 4L1  
© 2021 Delta Faucet Company



see what Delta can do™

## KITCHEN ACCESSORY

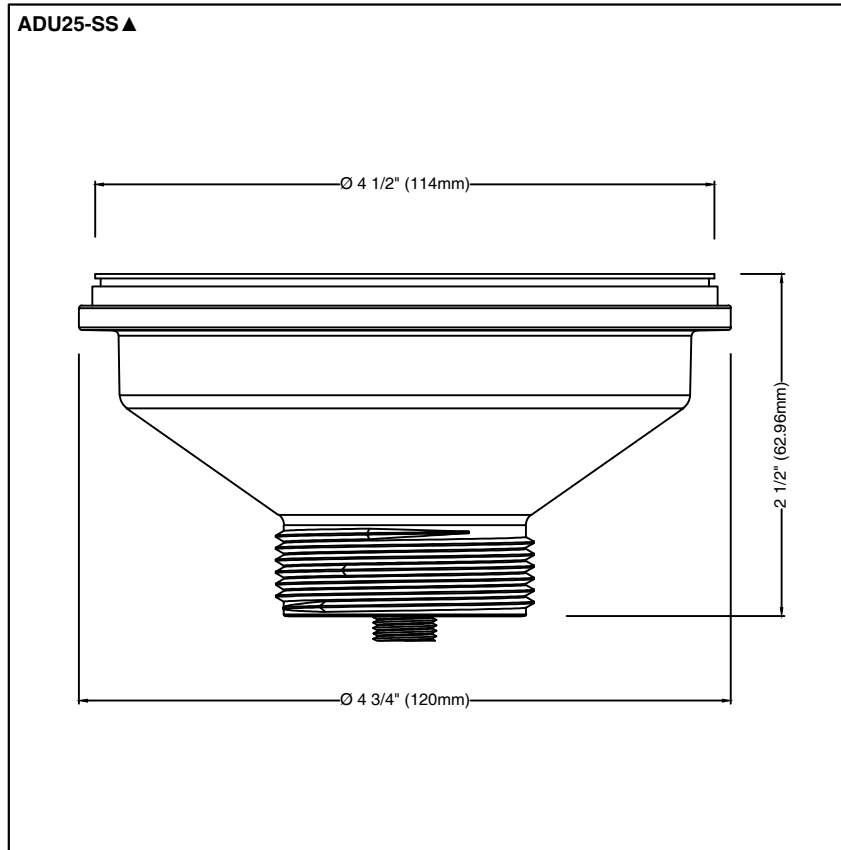
### ■ Kitchen Strainer



ADU25-SS ▲

Submitted Model No.: \_\_\_\_\_

Specific Features: \_\_\_\_\_



### FEATURES:

- Strainer traps food particles and debris to keep drain clear
- Maximizes your sinks functionality and complements the look of your kitchen
- The open/close stopper creates a tight seal that prevents food and debris from clogging the drainpipe
- Durable Stainless Steel Construction
- Compatible with 95A931-25S-SS, 95A931-30S-SS, 95A931-33D-SS, 95A931-33S-SS, 95A932-25S-SS, 95A932-30S-SS, 95A932-33S-SS, 95B931-27S-SS, 95B931-30S-SS, 95B931-32S-SS, 95B931-33D-SS, 95B932-27S-SS, 95B932-30S-SS and 95B932-32S-SS kitchen sinks

### STANDARD SPECIFICATIONS:

- Stainless Steel Construction
- Product Height: 2 1/2"
- Product Length: 4 1/2"
- Product Width: 4 1/2"

### WARRANTY:

- 1 Year Limited Warranty

#### ▲ Designate proper finish suffix

Delta reserves the right (1) to make changes in specifications and materials, and (2) to change or discontinue models, both without notice or obligation. Dimensions are for reference only. See current full-line price book or [www.deltafaucet.com](http://www.deltafaucet.com) for finish options and product availability.

#### Delta Faucet Company

55 E. 111th Street, Indianapolis, IN 46280  
350 South Edgeware Road, St. Thomas, ON N5P 4L1  
Sinksupport@deltafaucet.com  
© 2021 Delta Faucet Company