



see what Delta can do™

KITCHEN SINKS

- Rivet® Collection
- Top Mount Workstation

FEATURES:

- Top Mount Single Bowl Sink
- Rear Center Set Drain
- NoiseDefend Undercoating and Sound Dampening Pads

STANDARD SPECIFICATIONS:

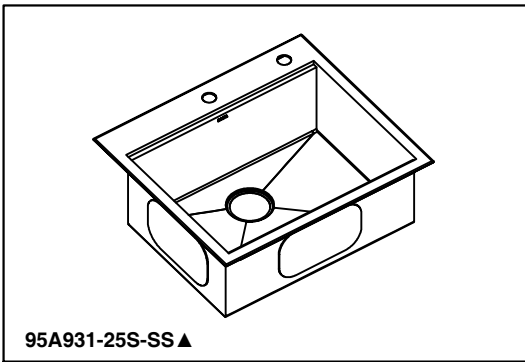
- 16 Gauge Stainless Steel Construction
- Required Minimum Cabinet Size: 27" Left to Right, 24" Front to Back
- 3 7/8" Drain Opening
- Strainer ADU25-SS (included)
- Cover Cap AEU25-SS (included)
- Bottom Grid AFU31-TM25-SS (included)
- Cutting Board ABU24-CWFB-BL (included)
- Rolling Mat ACU24-SRMC-BL (included)
- Cut-Out Template (included)
- Top Mount Hardware (included)

WARRANTY:

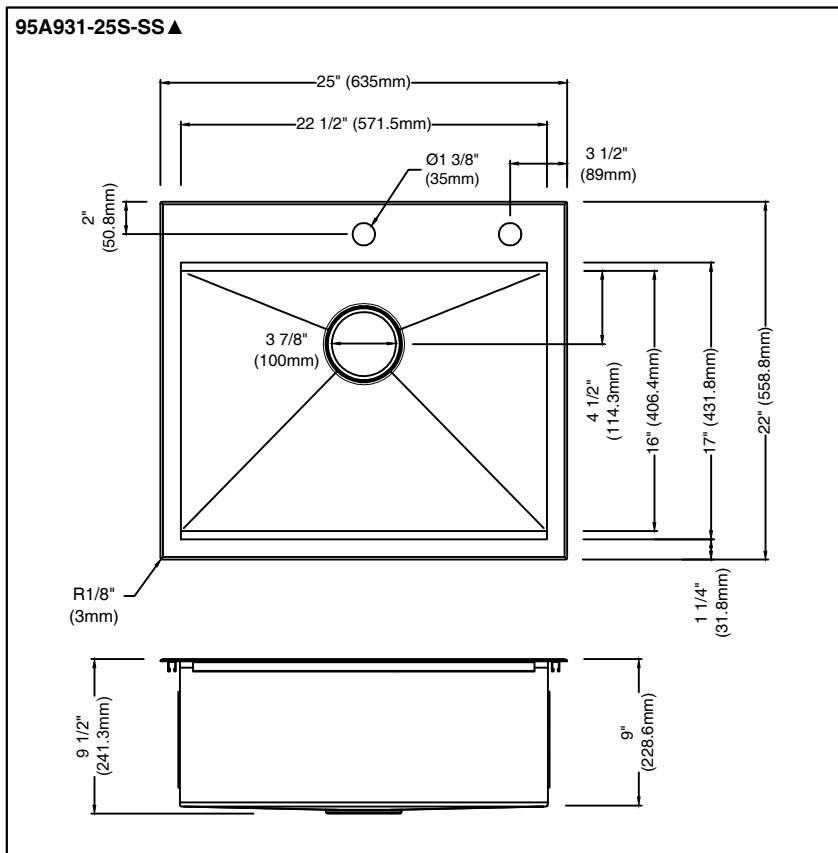
- Lifetime Limited Warranty

COMPLIES WITH:

- cUPC (ASME A112.19.3/CSA B45.4)



95A931-25S-SS ▲



▲ Designate proper finish suffix

Delta reserves the right (1) to make changes in specifications and materials, and (2) to change or discontinue models, both without notice or obligation. Dimensions are for reference only. See current full-line price book or www.deltafaucet.com for finish options and product availability.

Delta Faucet Company

55 E. 111th Street, Indianapolis, IN 46280
350 South Edgeware Road, St. Thomas, ON N5P 4L1
© 2021 Delta Faucet Company