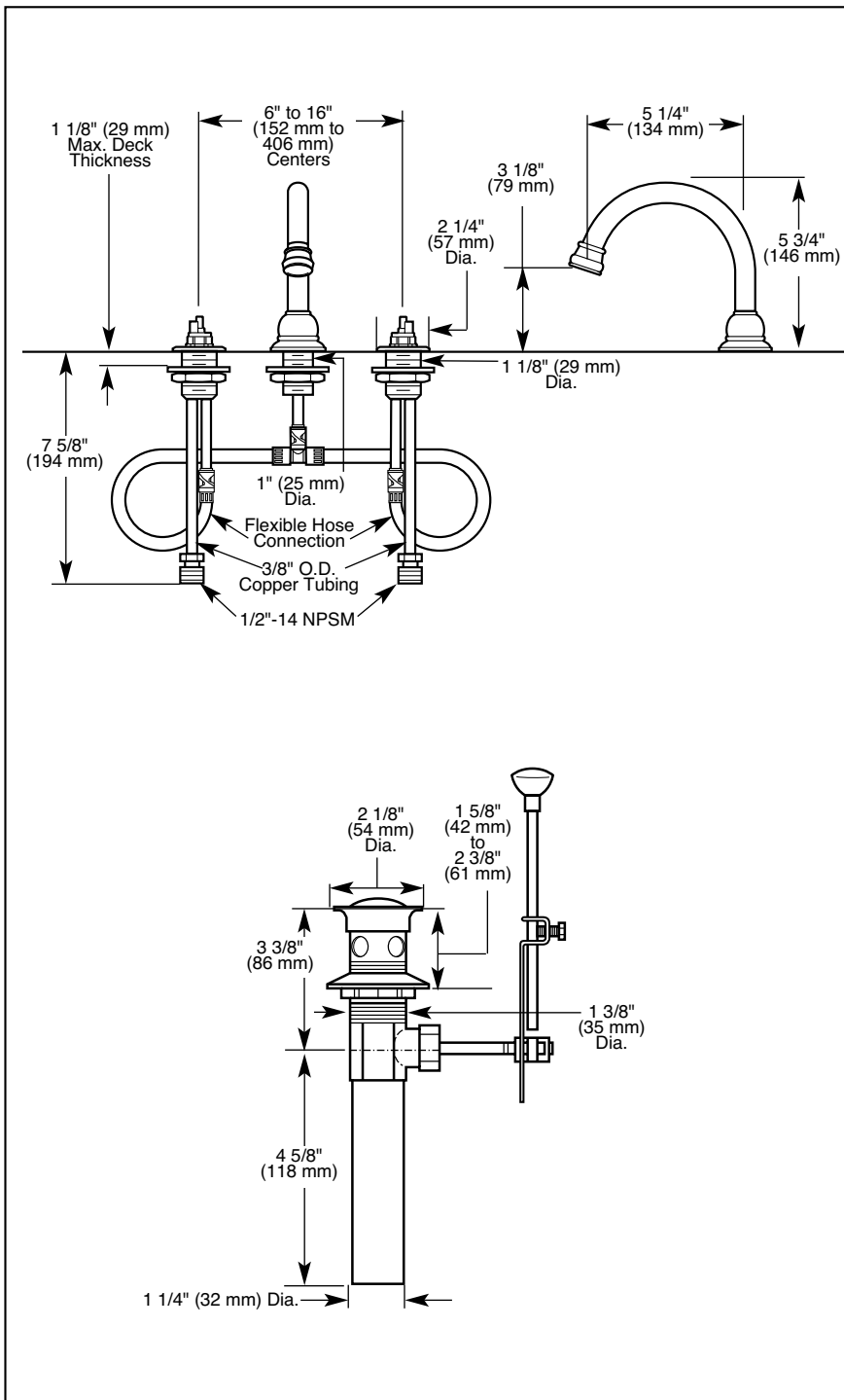


3567-LHP

Submitted Model No.: \_\_\_\_\_

Specific Features: \_\_\_\_\_



# DELTA<sup>®</sup>

## LAVATORY FAUCETS

- Two Handle
- NEO STYLE<sup>®</sup> Series
- LHP-Less Handle Program
- Widespread
- Three Hole Sink Applications
- 6" to 16" Centers
- Quick-Snap<sup>®</sup> Installation



**LISTED**  
UL Listed to US and Canadian  
Safety Standards and Classified  
in accordance with  
ANSI/NSF 61  
21PL

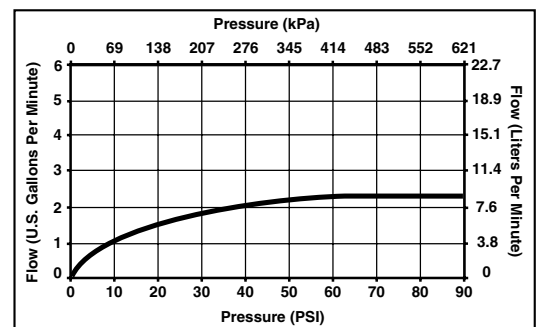


### COMPLIES WITH:

- ASME A112.18.1
- CSA B125
- NSF 61
- ♿ Indicates ADA compliance to ICC/ANSI A117.1
- IAPMO Listed
- CSA Certified

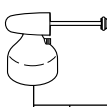

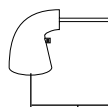

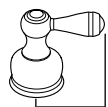

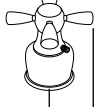

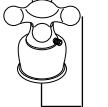

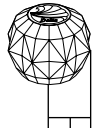
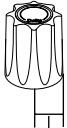
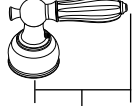

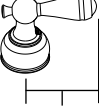

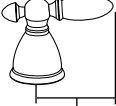

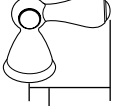

### STANDARD SPECIFICATIONS:

- Two handle lavatory faucets for concealed mounting on three hole sinks.
- Widespread - 6" (152mm) to 16" (406 mm) centers.
- Quick-Snap<sup>®</sup> installation.
- Solid brass fabricated end valve and spout bodies.
- 1/4 turn stops.
- 5 1/4" (133 mm) long, 5 3/4" (146 mm) high, rigid spout.
- LHP-Less Handle Program. See handle kit options on back.
- Hot and cold stems are interchangeable.
- Control mechanism shall be of the rotating cylinder type with stainless steel plate and 180° rotation, with replaceable non-metallic seats operating in stainless steel lined sockets.
- 3/8" O.D. copper supply tubes with 1/2"-14 NPSM adapters.
- Models have metal drain with pop-up type fitting with plated flange and stopper.

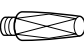













Standard Features	3567-LHP	3567-CBLHP	3567-NNLHP	3567-PBLHP
Washerless	◆	◆	◆	◆
Three Hole Installation	◆	◆	◆	◆
Quick Connect Hose Assembly & Self Locating Bases	◆	◆	◆	◆
6" (152 mm) to 16" (406 mm) Widespread	◆	◆	◆	◆
5 1/4" (134 mm) long, 5 3/4" (146 mm) high Rigid Spout	◆	◆	◆	◆
Brass Stems & 1/4 Turn Stops	◆	◆	◆	◆
Less Handle Program See Handle Kit Options*	◆	◆	◆	◆
3/8" O.D. Copper Supply Tubes with 1/2"-14 NPSM Adapters	◆	◆	◆	◆
Metal Pop-Up Drain	◆	◆	◆	◆
Chrome Finish	◆			
Chrome & <i>Brilliance</i> ® Polished Brass Finish		◆		
<i>Brilliance</i> ® Polished Brass Finish				◆
<i>Brilliance</i> ® Pearl Nickel			◆	

**\*Available LHP Handle Options**

<p>H22</p>  <p>2 1/2" (64 mm)</p> 	<p>H24</p>  <p>3 1/4" (83 mm)</p> 	<p>H25</p>  <p>2 5/16" (59 mm)</p> 	<p>H26</p>  <p>1 1/4" (32 mm)</p> 	<p>H27</p>  <p>1 1/4" (32 mm)</p> 	<p>H41</p>  <p>1 3/8" (35 mm)</p>
<p>H48</p>  <p>1" (25 mm)</p>	<p>H212</p>  <p>3" (76 mm)</p> 	<p>H215</p>  <p>2 5/16" (59 mm)</p> 	<p>H216</p>  <p>2 9/16" (65 mm)</p> 	<p>H217</p>  <p>2 1/2" (64 mm)</p> 	

**\*Available LHP Handle Accent Options with Matching Lift Knobs**

 A22CL		 A22OK, A22RS, A22WW	
 A22, A22AL, A22PB, A22WH		 A24CL	
 A22PR		 A24, A24AL, A24PB, A24WH	



Indianapolis, Indiana 46280  
A Division of Masco Corporation of Indiana  
© 2002 Masco Corporation of Indiana