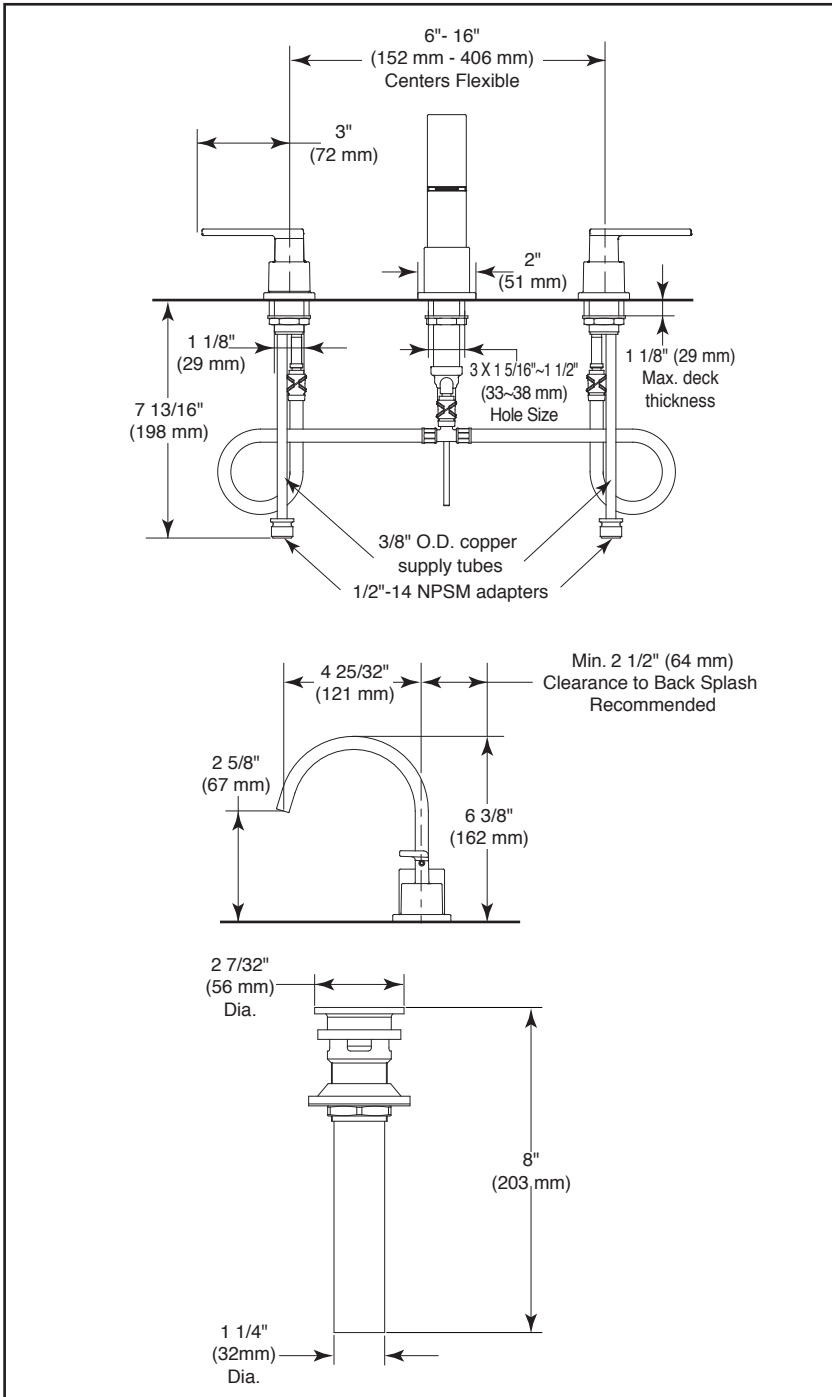


3553LF ▲

Submitted Model No.: \_\_\_\_\_

Specific Features: \_\_\_\_\_



▲ Designate proper finish suffix

Delta reserves the right (1) to make changes in specifications and materials, and (2) to change or discontinue models, both without notice or obligation. Dimensions are for reference only. See current full-line price book or [www.deltafaucet.com](http://www.deltafaucet.com) for finish options and product availability.

DSP-L-3553LF Rev. D



## LAVATORY FAUCETS

- Vero® Bath Collection
- Two Handle Widespread Deck Mount
- 3 Hole Sink Applications
- 6" to 16" Centers

### STANDARD SPECIFICATIONS

- Maximum flow rate 1.5 gpm @ 60 PSI, 5.7 L/min @ 414 kPa.
- Solid brass fabricated end bodies.
- Widespread - 6" (152mm) to 16" (406 mm) centers.
- 4 25/32" (121 mm) long, 6 3/8" (162 mm) high, rigid spout.
- 1/4 turn handle stops
- Hot and cold stems are interchangeable.
- 3/8" O.D. copper supply tubes with 1/2"-14 NPSM adapters.
- Control mechanism is a rotating cylinder type with stainless steel plate and 90°rotating, with replaceable non-metallic seats.
- Models have metal drain with push pop-up type fitting with plated flange and stopper.

### WARRANTY

- Lifetime limited warranty on parts (other than electronic parts and batteries) and finishes; or for commercial users, for 5 years from the date of purchase.
- 5 year limited warranty on electronic parts (other than batteries); or for commercial users, for 1 year from the date of purchase. No warranty is provided on batteries.



### COMPLIES WITH:

- ASME A112.18.1 / CSA B125.1
- ASME A112.18.2 / CSA B125.2
- ♿ Indicates compliance to ICC/ANSI A117.1
- EPA WaterSense®
- Verified compliant with 0.25% weighted average Pb content regulations.



55 E. 111th Street, Indianapolis, Indiana 46280  
350 South Edgeware Road, St. Thomas, Ontario Canada N5P 4L1  
© 2015 Masco Corporation of Indiana