



see what Delta can doSM

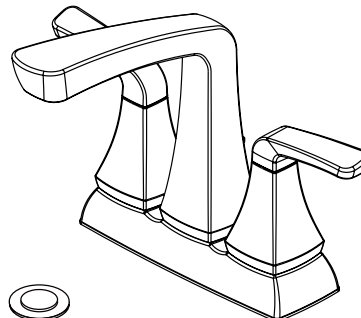
102028



X00102028

TWO HANDLE WASHERLESS BATHROOM FAUCET LLAVE DE LAVAMANOS DE DOS MANIJAS SIN ARANDELAS ROBINET SANS RONDELLE À DEUX MANETTES POUR LAVABO

Model/Modelo/Modèle
25789LF ▲
Series/Series/Seria



Write purchased model number here.
Escriba aquí el número del modelo comprado.
Inscrivez le numéro de modèle ici.

▲ Specify Finish/Especifique el Acabado/Précisez le Fini

Register Online
Regístrese en línea
S'enregistrer en ligne
www.deltafaucet.com/registerme

To reference replacement parts and access additional technical documents and product info, visit www.deltafaucet.com

Para referencia sobre las piezas de repuesto y acceder a documentos técnicos adicionales e información del producto, visite www.deltafaucet.com

Pour obtenir la référence des pièces de rechange ainsi que pour avoir accès à d'autres documents techniques et renseignements sur le produit, allez à www.deltafaucet.com



1-800-345-DELTA (3358)
customerservice@deltafaucet.com

Read all instructions prior to installation.

⚠ CAUTION

Failure to read these instructions prior to installation may result in personal injury, property damage, or product failure. Manufacturer assumes no responsibility for product failure due to improper installation.

Lea todas las instrucciones antes de hacer la instalación.

⚠ ADVERTENCIA

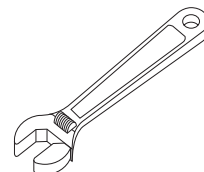
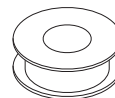
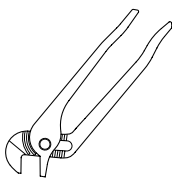
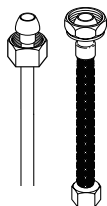
El no leer estas instrucciones de instalación puede resultar en lesiones personales, daños a la propiedad, o falla en el funcionamiento del producto. El fabricante no asume ninguna responsabilidad por la falla del producto debido a una instalación incorrecta.

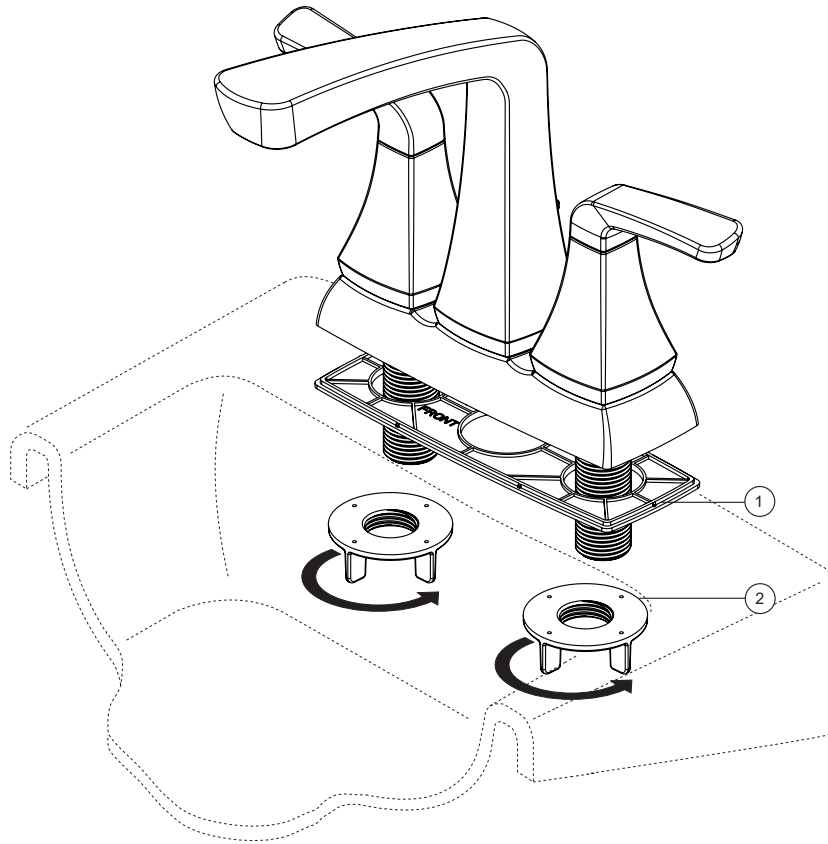
Veillez lire toutes les instructions avant l'installation.

⚠ AVERTISSEMENT

L'omission de lire les présentes instructions avant l'installation peut entraîner des blessures, des dommages matériels ou le bris du produit. Le fabricant se dégage de toute responsabilité à l'égard d'un bris du produit causé par une mauvaise installation.

You may need:
Usted puede necesitar:
Articles dont vous pouvez avoir besoin :



1**SHUT OFF WATER SUPPLIES.**

Remove old faucet. Place gasket (1) on bottom of new faucet. Place faucet through mounting holes in sink.

Option: If sink is uneven, use silicone under the gasket (1).

Secure faucet to sink using locknuts (2) provided.

CIERRE LOS SUMINISTROS DE AGUA.

Quite la llave vieja. Coloque el empaque (1) en la parte inferior de la llave. Coloque la llave de agua a través de los agujeros de instalación en el lavamanos.

Opción: Si el lavamanos está desnivelado, utilice silicón debajo del empaque (1).

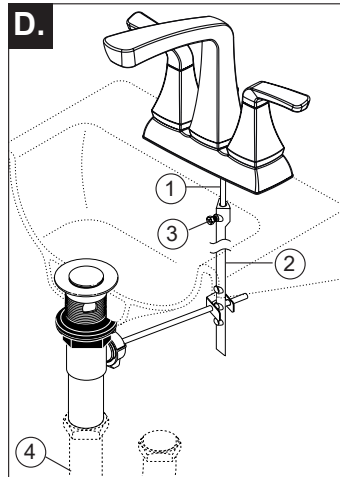
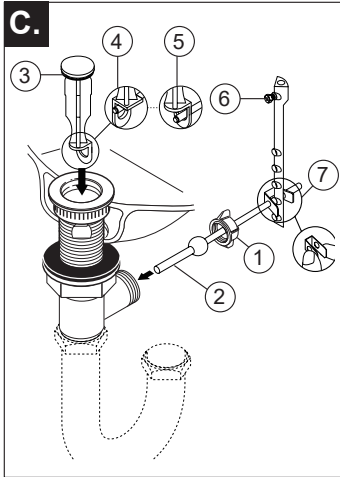
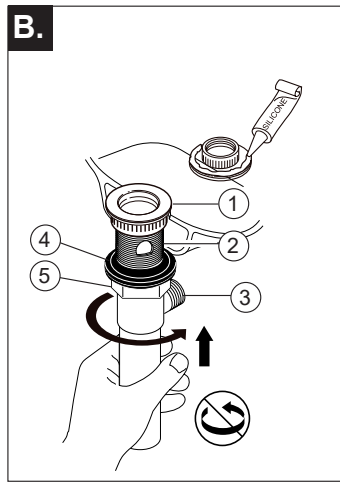
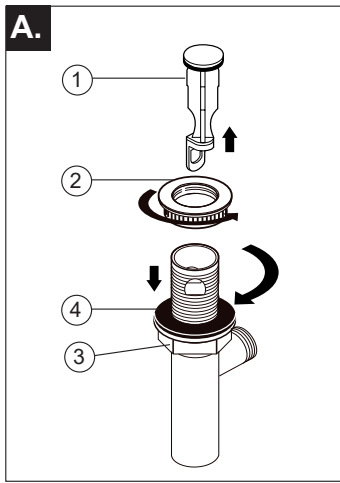
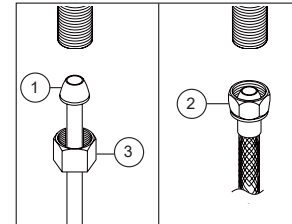
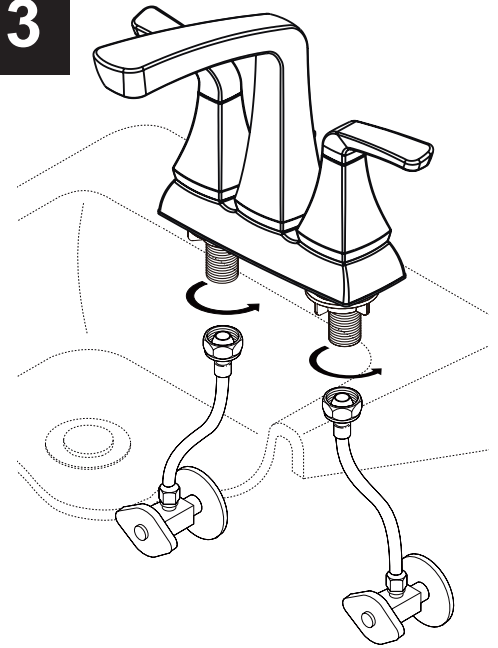
Fije la llave al lavamanos con las contratuercas (2) proporcionadas.

INTERROMPEZ L'ARRIVÉE D'EAU.

Déposez le vieux robinet. Placez le joint (1) contre le dessous du robinet neuf.

Option: Si la surface du lavabo est inégale, appliquez du composé à la silicone sous le joint (1).

Fixez le robinet l'évier à l'aide des écrous autofreinés (2) fournis.

2**3****Install Pop-Up Assembly**

- A.** Remove stopper (1) and flange (2). Screw nut (3) all the way down. Push black gasket (4) down.
- C.** Remove pivot nut (1). Install horizontal rod (2) and stopper (3) as removable (4) or non-removable (5). Hand tighten pivot nut. Attach horizontal rod to strap (6) using clip (7).

- B.** Apply silicone to underside of flange (1). Screw body (2) onto flange and hand tighten. With pivot (3) facing toward faucet, secure gasket (4) and nut (5). **DO NOT TURN FLANGE WHILE TIGHTENING NUT OR SEALANT MAY NOT SEAL DRAIN.** Remove excess sealant.
- D.** Insert lift rod (1) through faucet and into strap (2). Tighten screw (3). Connect assembly to drain (4).

CONNECT TO WATER SUPPLIES. (HOOK-UPS NOT PROVIDED).

Determine which type of connection you will be making.
Ball nose risers (3/8" O.D. copper tubing) (1) with coupling nuts (3) (not supplied) or 1/2" I.P.S. faucet connectors (2).

Instale el Ensamble de Desagüe Automático

- A.** Quite el tapón (1) y el borde (2). Atornille la tuerca (3) completamente hasta abajo. Empuje el empaque negro (4). Poussez le joint noir (4) vers le bas.
- C.** Quite la tuerca del pivote (1). Instale la barra horizontal (2) y el tapón (3) como desmontable (4) o fijo (5). Apriete a mano la tuerca del pivote. Una la barra horizontal a la barra chata (6) utilizando el gancho (7).

- B.** Aplique silicón a la parte interior del reborde (1). Atornille el cuerpo (2) en la brida y apriete a mano. Con el pivote (3) de frente a la llave, hale el desagüe automático directamente hacia abajo dentro del drenaje y fije el empaque (4) y la tuerca (5). **NO GIRE EL DRENAJE AUTOMÁTICO MIENTRAS APRIETE LA TUERCA DE BRONCE O EL SELLADOR PUEDA NO SELLAR EL DRENAJE.** Quite el exceso de sellador.
- D.** Introduzca la barra de alzar (1) a través de la llave y dentro en la barra chata (2). Apriete el tornillo (3). Conecte el ensamble al desagüe (4).

CONECTE A LOS SUMINISTROS DE AGUA. (LAS CONEXIONES NO SON PROPORCIONADAS).

Determine que tipo de conexión usted va a hacer.
Tubos montantes de nariz redondeada (tubería de cobre de 3/8" D.E.) (1) con tuercas de acoplamiento (3) (no proporcionadas), o conectadores de llave I.P.S. de 1/2" (2).

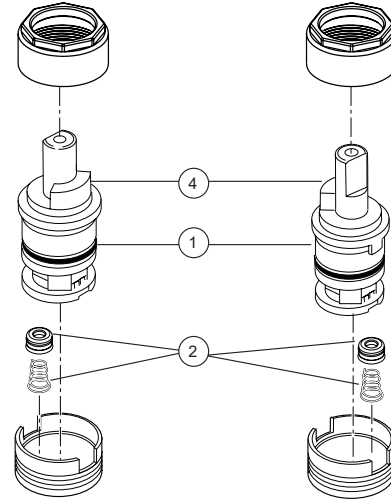
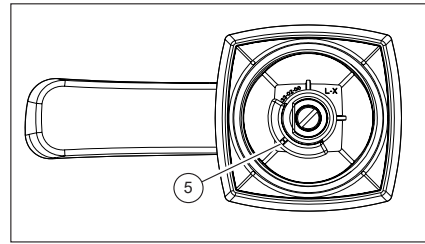
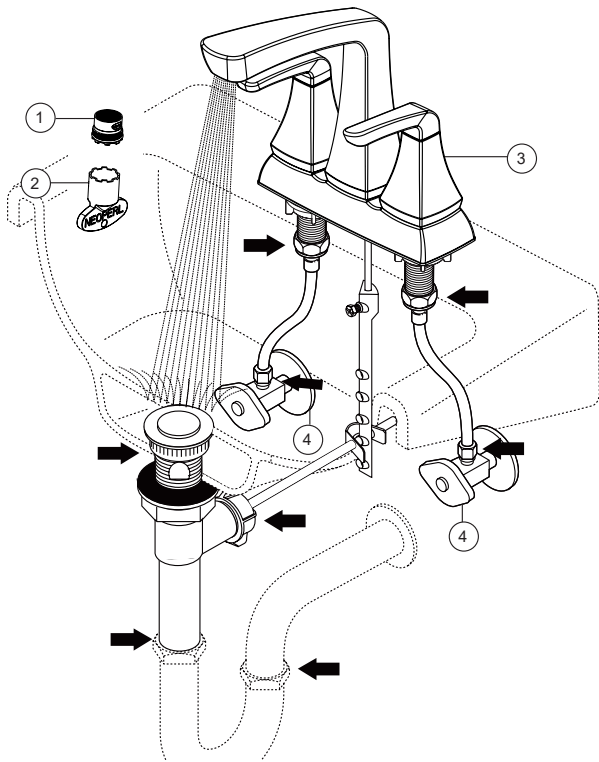
Installez le renvoi mécanique

- A.** Enlevez la bonde (1) et la collerette (2). Vissez l'écrou (3) à fond. Poussez le joint noir (4) vers le bas.
- C.** Enlevez l'écrou de pivot (1). Installez la tige horizontale (2) et la bonde (3) pour qu'elle soit amovible (4) ou non amovible (5). Serrez l'écrou de pivot à la main. Fixez la tige horizontale au feuillard (6) à l'aide de l'agrafe (7).

- B.** Appliquez du composé d'étanchéité à la silicone sous la collerette (1). Visser le corps (2) sur la bride et serrer à la main. Alors que le pivot (3) fait face au robinet, tirez le renvoi directement vers le bas dans l'orifice de l'évier, puis fixez le joint (4) et l'écrou (5). **NE TOURNEZ PAS LE RENVOI PENDANT QUE VOUS SERREZ L'ÉCROU EN LAITON CAR LE COMPOSÉ À LA SILICONE POURRA NE PAS ASSURER L'ÉTANCHÉITÉ DU RENVOI.** Enlevez l'excès de composé d'étanchéité.
- D.** Introduisez la tirette (1) dans le robinet et le feuillard (2). Serrez la vis (3). Raccordez l'ensemble au renvoi (4).

RACCORDEMENT À LA TUYAUTERIE D'ALIMENTATION (RACCORDS NON FOURNIS)

Vous pouvez utiliser l'un ou l'autre des modes de branchement suivants: Tubes-raccords à extrémité arrondie (tube de cuivre 3/8 po d.e.) (1) avec écrous de raccordement (3) (non fournis) ou, raccords 1/2 po IPS pour robinetterie (2).



FLUSH SYSTEM/CHECK FOR LEAKS.

Remove aerator (1) using supplied wrench (2) and turn faucet handles (3) to the full on mixed position. Turn on hot and cold water supplies (4) and flush water lines for one minute.

Important: This flushes away any debris that could cause damage to internal parts.

Check all connections at arrows for leaks. Replace aerator. Re-tighten if necessary, but do not over-tighten.

Maintenance

SHUT OFF WATER SUPPLIES

NOTE: Remove handles by hand turning handle base counterclockwise.

If faucet leaks from spout outlet:

Replace Stem Unit Assembly (1) and Seats and Springs (2)*.

If faucet exhibits very low flow:

A. Remove and clean Aerator (3) (page 5), or
B. Clean Seats and Springs (2) of any debris.

*Install stems (1) correctly for proper handle rotation:

Note:

1. The stops (4) must point to the center of the faucet for proper handle rotation.
2. Replace handle properly. Be sure the handle with "H" mark (5) to be installed onto the left and the handle with "C" mark onto the right.

DEJE CORRER EL AGUA POR EL SISTEMA/EXAMINE POR SI HAY FILTRACIONES.

Quite el aereador (1) usando la llave de tuercas (2) proporcionada con su llave de agua y gire las manijas de la llave de agua (3) a la posición completamente abierta. Abra los suministros de agua caliente y fría (4) y deje que el agua corra por las líneas por un minuto.

Importante: Esto limpia cualquier escombros que pudiera causar daño a las partes internas.

Examine para asegurarse que no haya filtraciones. Reemplace el aireador. Apriete de nuevo si es necesario, pero no apriete demasiado.

Mantenimiento

CIERRE LOS SUMINISTROS DE AGUA

NOTA: Saque la manilla girando la base de manilla en contra del sentido de las agujas de reloj.

Si la llave tiene fugas en la salida:

Reemplace los Ensamble de la Unidad del Vástago (1) y Asientos y Resortes (2)*, Equipo para Reparación RP78871.

Si la llave muestra un flujo muy bajo:

A. Quite y limpie el aireador (3) (página 5), o
B. Limpie los Asientos y Resortes (2) de cualquier escombros.

*Instale las espigas (1) correctamente para una giración correcta de la manija:

Note:

1. Los toques (4) deben señalar al centro de la llave de agua para obtener una rotación apropiada de la manija.
2. Vuelva a colocar manilla adecuadamente. Be sure the handle with "H" mark (3) to be installed onto the left and the handle with "C" mark onto the right.

RINÇAGE DE L'INSTALLATION ET VÉRIFICATION DE L'ÉTANCHÉITÉ.

Retirez l'aérateur (1) en utilisant la clé (2) et tournez les poignées (3) du robinet en position d'écoulement maximum de l'eau chaude et de l'eau froide. Rétablissez l'alimentation en eau chaude et en eau froide (4), puis laissez s'écouler l'eau une minute.

Important: Il faut laisser s'écouler l'eau pour évacuer les saletés qui pourraient abîmer les éléments internes du robinet.

Vérifiez l'étanchéité. Remettez l'aérateur en place. Serrez-les de nouveau au besoin, mais prenez garde de trop serrer.

Entretien

INTERROMPEZ L'ARRIVÉE D'EAU

NOTE: Enlevez des poignées par la main en tournant la poignée par en base en sens inverse des aiguilles d'une montre.

Si le robinet fuit par le bec :

Remplacez l'obturateur (1) ainsi que les sièges et les ressorts (2)*.

Si le débit du robinet est très faible:

A. Enlevez l'aérateur (3) (page 5) et nettoyez-le.
B. Vous pouvez aussi nettoyer les sièges et les ressorts (2).

*Installez les obturateurs (1) correctement pour que les manettes pivotent dans le bon sens.

Note:

1. les butées (4) doivent pointer vers le centre du robinet pour que les manettes pivotent correctement.
2. Remplacez la poignée correctement. Lamanette portant la lettre " H " (3) doit être montée du côté gauche et lamanette portant la lettre " C ", du côté droit.

Cleaning and Care

Care should be given to the cleaning of this product. Although its finish is extremely durable, it can be damaged by harsh abrasives or polish. To clean, simply wipe gently with a damp cloth and blot dry with a soft towel.

Limpieza y Cuidado de su Llave

Tenga cuidado al limpiar este producto. Aunque su acabado es sumamente durable, puede ser afectado por agentes de limpieza o para pulir abrasivos. Para limpiar su llave, simplemente frótela con un trapo húmedo y luego séquela con una toalla suave.

Instructions de nettoyage

Care should be given to the cleaning of this product. Although its finish is extremely durable, it can be damaged by harsh abrasives or polish. To clean, simply wipe gently with a damp cloth and blot dry with a soft towel.

Limited Warranty on Delta® Faucets

Parts and Finish: All parts (other than electronic parts and batteries) and finishes of Delta® faucets purchased from authorized Delta sellers are warranted to the original consumer purchaser to be free from defects in material and workmanship for as long as the original consumer purchaser owns the home in which the faucet was first installed. For commercial purchasers, (a) the warranty period is ten (10) years for multi-family residential applications and (b) five (5) years for all other commercial applications, in each case from the date that the product is received by the original purchaser or their authorized representative (installation contractor, etc.). For purposes of this warranty, the term "multi-family residential application" refers to the purchase of the faucet from an authorized Delta seller by a purchaser who owns but does not live in the residential dwelling in which the faucet is initially installed, such as in a rented or leased single unit or multi-unit detached home (duplex or townhome), or a condominium, apartment building or community living center. The following installations are not considered multi-family residential applications, are excluded from the 10-year warranty and are subject to the 5-year warranty: industrial, institutional or other business premises, such as a dormitory, hospitality premises (hotel, motel or extended stay location), airport, educational facility, long- or short-term healthcare facility (hospital, rehabilitation center, nursing, assisted or staged-care living unit), public space or common area.

Parts and Finish for Delta® Recertified Faucets: Delta Faucet Company offers for sale online Delta® Recertified faucets. Delta® Recertified faucets only include faucets that have been certified as such by Delta Faucet Company. All parts (other than electronic parts and batteries) and finishes of these Delta® Recertified faucets are warranted to the original consumer purchaser to be free from defects in material and workmanship for ten (10) years from the date that the product is received by the original purchaser or their authorized representative (installation contractor, etc.). For commercial purchasers, the warranty period is one (1) year from the date that the product is received by the original purchaser or their authorized representative (installation contractor, etc.).

Electronic Parts: Electronic parts (other than batteries), if any, of Delta® faucets purchased from deltafaucet.com or authorized Delta sellers are warranted to the original consumer purchaser to be free from defects in material and workmanship for five (5) years from the date that the product is received by the original purchaser or their authorized representative (installation contractor, etc.) or, for commercial purchasers, for one (1) year from the date that the product is received by the original purchaser or their authorized representative (installation contractor, etc.). No warranty is provided on batteries.

What We Will Do: Delta Faucet Company will repair or replace, free of charge, during the applicable warranty period (as described above), any part or finish that proves defective in material and/or workmanship under normal installation, use and service. Delta Faucet Company may, in its sole discretion, use new, refurbished or recertified parts or products for such repair or replacement. If repair or replacement is not practical, Delta Faucet Company may elect to refund the purchase price in exchange for the return of the product. **These are your exclusive remedies.**

What is Not Covered: Because Delta Faucet Company is unable to control the quality of Delta products sold by unauthorized sellers, unless otherwise prohibited by law, this warranty does not cover Delta products purchased from unauthorized sellers.

Any labor charges incurred by the purchaser to repair, replace, install or remove this product are not covered by this warranty. Delta Faucet Company shall not be liable for any damage to the faucet resulting from reasonable wear and tear, outdoor use, misuse (including use of the product for an unintended application), freezing water, abuse, neglect or improper or incorrectly performed installation, maintenance or repair, including failure to follow the applicable care and cleaning instructions. Delta Faucet Company recommends using a professional plumber for all installation and repair of faucets. We also recommend that you use only genuine Delta® replacement parts.

What You Must Do To Obtain Warranty Service or Replacement Parts: A warranty claim may be made and replacement parts may be obtained by calling 1 800 345 DELTA (3358) or by contacting us by mail or online as follows (please include your model number, date of original purchase and documentation of the date of receipt of the product by the original purchaser or their authorized representative (installation contractor, etc.)):

In the United States and Mexico:
Delta Faucet Company
55 E. 111th Street
Carmel, IN 46280
Attention: Warranty Service
www.deltafaucet.com/service-parts/contact-us

In Canada:
Masco Canada Limited, Plumbing Group
Technical Service Centre
350 South Edgeware Road
St. Thomas, Ontario, Canada N5P 4L1
Attention: Customer Service
<http://www.deltafaucet.ca/customersupport/assistance.html>

Proof of purchase (original sales receipt showing purchase date) and documentation of the date of receipt of the product by the original purchaser or their authorized representative (installation contractor, etc.) from the original purchaser must be made available to Delta Faucet Company for all warranty claims unless the purchaser has registered the product with Delta Faucet Company or the product is a Delta® Recertified product purchased from deltafaucet.com. This warranty applies only to Delta® faucets manufactured after January 1, 2019 and installed in the United States of America, Canada and Mexico.

Limitation on Duration of Implied Warranties: Please note that some states/provinces (including Quebec) do not allow limitations on how long an implied warranty lasts, so the below limitations may not apply to you. TO THE MAXIMUM EXTENT PERMITTED BY APPLICABLE LAW, ANY IMPLIED WARRANTY, INCLUDING THE IMPLIED WARRANTIES OF MERCHANTABILITY AND OF FITNESS FOR A PARTICULAR PURPOSE, IS LIMITED TO THE STATUTORY PERIOD OR THE DURATION OF THIS WARRANTY, WHICHEVER IS SHORTER.

Limitation of Special, Incidental or Consequential Damages: Please note that some states/provinces (including Quebec) do not allow the exclusion or limitation of special, incidental or consequential damages, so the below limitations and exclusions may not apply to you. TO THE MAXIMUM EXTENT PERMITTED BY APPLICABLE LAW, THIS WARRANTY DOES NOT COVER, AND DELTA FAUCET COMPANY SHALL NOT BE LIABLE FOR, ANY SPECIAL, INCIDENTAL OR CONSEQUENTIAL DAMAGES (INCLUDING LABOR CHARGES TO REPAIR, REPLACE, INSTALL OR REMOVE THIS PRODUCT), WHETHER ARISING OUT OF BREACH OF ANY EXPRESS OR IMPLIED WARRANTY, BREACH OF CONTRACT, TORT, OR OTHERWISE. DELTA FAUCET COMPANY SHALL NOT BE LIABLE FOR ANY DAMAGE TO THE FAUCET RESULTING FROM REASONABLE WEAR AND TEAR, OUTDOOR USE, MISUSE (INCLUDING USE OF THE PRODUCT FOR AN UNINTENDED APPLICATION), FREEZING WATER, ABUSE, NEGLIGENCE OR IMPROPER OR INCORRECTLY PERFORMED INSTALLATION, MAINTENANCE OR REPAIR, INCLUDING FAILURE TO FOLLOW THE APPLICABLE INSTALLATION, CARE AND CLEANING INSTRUCTIONS. Notice to residents of the State of New Jersey: The provisions of this warranty, including its limitations, are intended to apply to the fullest extent permitted by the laws of the State of New Jersey.

Additional Rights: This warranty gives you specific legal rights, and you may also have other rights which vary from state/province to state/province. This is Delta Faucet Company's exclusive written warranty and the warranty is not transferable.

If you have any questions or concerns regarding our warranty, please contact us as provided above or view our Warranty FAQs at www.deltafaucet.com.

© 2023 Masco Corporation of Indiana

Garantía limitada de las llaves de agua/grifos Delta® Faucet

Piezas y Acabado: Todas las piezas (excepto las piezas electrónicas y las baterías) y los acabados de las llaves de agua Delta® comprados a vendedores autorizados de Delta están garantizados para el comprador consumidor original estar libres de defectos de materiales y mano de obra durante el tiempo que el comprador consumidor original sea dueño de la casa en la que la llave de agua se instaló por primera vez. Para compradores comerciales, (a) el período de garantía es de diez (10) años para aplicaciones residenciales multifamiliares y (b) cinco (5) años para todas las demás aplicaciones comerciales, en cada caso a partir de la fecha en que el comprador original o su representante autorizado (contratista de instalación, etc.) recibió el producto. A los efectos de esta garantía, el término "aplicación residencial multifamiliar" se refiere a la compra de la llave de agua a un vendedor autorizado de Delta por parte de un comprador que es propietario pero no vive en la vivienda residencial en la que se instaló inicialmente la llave de agua, como en una unidad individual alquilada o arrendada o en una vivienda unifamiliar de varias unidades (dúplex o casa adosada), o en un condominio, edificio de apartamentos o centro de vivienda comunitaria. Las siguientes instalaciones no se consideran aplicaciones residenciales multifamiliares, están excluidas de la garantía de 10 años y están sujetas a la garantía de 5 años: instalaciones industriales, institucionales u otras instalaciones comerciales, como dormitorios, instalaciones de hospitalidad (hotel, motel o ubicación de estadía prolongada), aeropuerto, centro educativo, centro de atención médica a corto o largo plazo (hospital, centro de rehabilitación, enfermería, unidad de vivienda asistida o de atención por etapas), espacio público o área común.

Piezas y acabados para llaves de agua recertificadas Delta® Recertified: Delta Faucet Company ofrece a la venta en línea llaves de agua/grifos recertificados Delta®. Los grifos Recertificados de Delta® solo incluyen llaves de agua que han sido certificadas como tales por Delta Faucet Company. Todas las piezas (excepto las piezas electrónicas y las pilas) y los acabados de estas llaves Recertificadas de Delta® están garantizados al comprador consumidor original estar libres de defectos de materiales y de mano de obra durante diez (10) años a partir de la fecha en que el comprador original o su representante autorizado (contratista de instalación, etc.) recibió el producto. Para compradores comerciales, el período de garantía es de un (1) año a partir de la fecha en que el comprador original o su representante autorizado (contratista de instalación, etc.) recibió el producto.

Partes electrónicas: Se garantiza al comprador consumidor original que las piezas electrónicas (que no sean pilas), si las hubiera, de las llaves de agua Delta® compradas en deltafaucet.com o a vendedores autorizados de Delta, están libres de defectos de materiales y de mano de obra durante cinco (5) años a partir de la fecha en que el comprador original o su representante autorizado (contratista de instalación, etc.) recibió el producto o para compradores comerciales, durante un (1) año a partir de la fecha en que el comprador original o su representante autorizado (contratista de instalación, etc.) recibió el producto. No se proporciona garantía en las pilas.

Lo que haremos: Delta Faucet Company reparará o reemplazará, sin cargo, durante el período de garantía aplicable (como se describe anteriormente), cualquier pieza o acabado que resulte defectuoso en material y/o mano de obra en condiciones normales de instalación, uso y servicio. Delta Faucet Company puede, a su exclusivo criterio, usar piezas o productos nuevos, reacondicionados o recertificados para dicha reparación o reemplazo. Si la reparación o el reemplazo no son prácticos, Delta Faucet Company puede optar por reembolsar el precio de compra a cambio de la devolución del producto. Estos son sus remedios exclusivos.

Lo que no está cubierto: Debido a que Delta Faucet Company no puede controlar la calidad de los productos Delta vendidos por vendedores no autorizados, a menos que la ley lo prohíba, esta garantía no cubre los productos Delta comprados a vendedores no autorizados.

Esta garantía no cubre los cargos de mano de obra incurridos por el comprador para reparar, reemplazar, instalar o quitar este producto. Delta Faucet Company no será responsable de ningún daño a la llave de agua/grifo que resulte del desgaste razonable, uso en exteriores, mal uso (incluido el uso del producto para una aplicación no deseada), agua helada, abuso, negligencia o instalación o mantenimiento inadecuados o realizados incorrectamente o reparación, incluido el incumplimiento de las instrucciones de cuidado y limpieza correspondientes. Delta Faucet Company recomienda utilizar un plomero profesional para toda la instalación y reparación de las llaves de agua. También le recomendamos que utilice únicamente piezas de repuesto originales de Delta®.

Lo que debe hacer para obtener el servicio de garantía o las piezas de repuesto: Se puede realizar un reclamo de garantía y obtener piezas de repuesto llamando al 1 800 345 DELTA (3358) o comunicándose con nosotros por correo o en línea de la siguiente manera (incluya su número de modelo, fecha de compra original y documentación con la fecha cuando el comprador original o su representante autorizado (contratista de instalación, etc.) recibió el producto):

En los Estados Unidos y México:
Delta Faucet Company
55 E. 111th Street
Carmel, IN 46280
Attention: Warranty Service
www.deltafaucet.com/service-parts/contact-us

En Canadá:
Masco Canada Limited, Plumbing Group
Technical Service Centre
350 South Edgeware Road
St. Thomas, Ontario, Canada N5P 4L1
Attention: Customer Service
<http://www.deltafaucet.ca/customersupport/assistance.html>

El comprobante de compra (recibo de venta original que muestre la fecha de compra) y la documentación con la fecha cuando el comprador original o su representante autorizado (contratista de instalación, etc.) recibió el producto deben estar disponibles para Delta Faucet Company para todos reclamos de garantía a menos que el comprador haya registrado el producto con Delta Faucet Company o el producto sea un producto Delta® Recertified comprado en deltafaucet.com. Esta garantía se aplica solo a las llaves de agua Delta® fabricadas después del 1 de enero de 2019 e instaladas en los Estados Unidos de América, Canadá y México.

Limitación de la duración de las garantías implícitas: Tenga en cuenta que algunos estados/provincias (incluido Quebec) no permiten limitaciones sobre la duración de una garantía implícita, por lo que es posible que las siguientes limitaciones no se apliquen en su caso. EN LA MEDIDA MÁXIMA PERMITIDA POR LA LEY APLICABLE, CUALQUIER GARANTÍA IMPLÍCITA, INCLUIDAS LAS GARANTÍAS IMPLÍCITAS DE COMERCIABILIDAD E IDONEIDAD PARA UN FIN DETERMINADO, SE LIMITA AL PERÍODO LEGAL O A LA DURACIÓN DE ESTA GARANTÍA, EL QUE SEA MÁS BREVE.

Limitación de Daños Especiales, Incidentales o Consecuentes: Tenga en cuenta que algunos estados/provincias (incluido Quebec) no permiten la exclusión o limitación de daños especiales, incidentales o consecuentes, por lo que es posible que las siguientes limitaciones y exclusiones no se apliquen en su caso. EN LA MEDIDA MÁXIMA PERMITIDA POR LA LEY APLICABLE, ESTA GARANTÍA NO CUBRE, Y DELTA FAUCET COMPANY NO SERÁ RESPONSABLE DE NINGÚN DAÑO ESPECIAL, INCIDENTAL O CONSECUENTE (INCLUIDOS LOS CARGOS DE MANO DE OBRA PARA REPARAR, REEMPLAZAR, INSTALAR O QUITAR ESTE PRODUCTO), YA SEA QUE SURJA FUERA DEL INCUMPLIMIENTO DE CUALQUIER GARANTÍA EXPRESA O IMPLÍCITA, INCUMPLIMIENTO DE CONTRATO, AGRAVIO U OTRO. DELTA FAUCET COMPANY NO SERÁ RESPONSABLE DE CUALQUIER DAÑO A LA LLAVE DE AGUA O RESULTANTE DEL DESGASTE Y DESGASTE RAZONABLE, USO AL AIRE LIBRE, USO INCORRECTO (INCLUYENDO EL USO DEL PRODUCTO PARA UNA APLICACIÓN NO DESEADA), AGUA CONGELADA, ABUSO, DESCUIDO O INSTALACIÓN O MANTENIMIENTO IMPROPIOS O REALIZADOS INCORRECTAMENTE O REPARACIÓN, INCLUYENDO EL INCUMPLIMIENTO DE LAS INSTRUCCIONES DE INSTALACIÓN, CUIDADO Y LIMPIEZA CORRESPONDIENTES. Aviso para los residentes del Estado de Nueva Jersey: Las disposiciones de esta garantía, incluidas sus limitaciones, se aplicarán en la medida máxima permitida por las leyes del Estado de Nueva Jersey.

Derechos adicionales: Esta garantía le otorga derechos legales específicos, y es posible que también tenga otros derechos que varían de un estado/provincia a otro estado/provincia. Esta es la garantía escrita exclusiva de Delta Faucet Company, y la garantía no es transferible.

Si tiene alguna pregunta o inquietud con respecto a nuestra garantía, comuníquese con nosotros como se indicó anteriormente o visite en nuestro sitio web Preguntas Frecuentes FAQ en www.deltafaucet.com
© 2023 Masco Corporation de Indiana

Garantie limitée des robinets Delta®

Pièces et finis: Tous les pièces (autres que les composants électroniques et les piles) et les finis de ce robinet Delta® achetés chez des vendeurs Delta autorisés sont protégés contre les défauts de matériau et les vices de fabrication par une garantie qui est consentie au premier acheteur au détail et qui demeure valide tant que celui-ci demeure propriétaire de la maison dans laquelle le robinet a été installé. En ce qui concerne les acheteurs commerciaux, la période de garantie est a) de dix (10) ans pour les applications résidentielles multifamiliales et b) de cinq (5) ans pour toutes les autres applications commerciales, à compter, dans chaque cas, de la date de réception du produit par le premier acheteur ou son représentant autorisé (installateur, etc.). Dans le libellé de la présente garantie, on entend par « application résidentielle multifamiliale », un robinet acheté chez un vendeur Delta autorisé par un acheteur qui est propriétaire d'un logement résidentiel sans l'habiter et installé pour la première fois dans cet immeuble. Il peut s'agir d'un immeuble individuel comportant un ou plus d'un logement loué à court terme ou à long terme (duplex ou groupe de maisons en rangée), d'un condominium, d'un immeuble d'habitation ou d'un centre d'intégration communautaire. Les applications décrites ci-après ne sont pas considérées comme des applications multifamiliales et elles sont couvertes par la garantie de 5 ans plutôt que par la garantie de 10 ans. Ce sont les suivantes : robinets installés dans un bâtiment industriel, un bâtiment institutionnel et un autre immeuble commercial, notamment une résidence d'étudiants, un lieu d'hébergement (hôtel, motel ou lieu de séjour prolongé), un aéroport, un établissement d'enseignement, un établissement de soins de santé de courte ou de longue durée (hôpital, centre de réadaptation, maison de soins infirmiers), un endroit public ou un lieu commun.

Pièces et finis des robinets recertifiés Delta®: Delta Faucet Company offre en vente en ligne des robinets recertifiés Delta®. Les robinets recertifiés Delta® comprennent uniquement les robinets qui ont été certifiés à ce titre par Delta Faucet Company. Tous les pièces (autres que les pièces électroniques et les piles) et les finis de ces robinets Delta® recertifiés sont protégés contre les défauts de matériau et les vices de fabrication par une garantie qui est consentie au premier acheteur au détail et qui est d'une durée de dix (10) ans à compter de la date de réception du produit par le premier acheteur ou son représentant autorisé (installateur, etc.). En ce qui concerne les acheteurs commerciaux, la période de garantie est d'un (1) an à compter de la date de réception du produit par le premier acheteur ou son représentant autorisé (installateur, etc.).

Composants électroniques: Les composants électroniques (autres que les piles), le cas échéant, de ce robinet Delta® qui ont été achetés auprès de deltafaucet.com ou de vendeurs Delta autorisés sont protégés contre les défauts de matériau et les vices de fabrication par une garantie consentie au premier acheteur au détail qui est de cinq (5) ans à compter de la date de réception du produit par le premier acheteur ou son représentant autorisé (installateur, etc.). En ce qui concerne les acheteurs commerciaux, la période de garantie est d'un (1) an à compter de la date de réception du produit par le premier acheteur ou son représentant autorisé (installateur, etc.). Les piles ne sont pas couvertes par la garantie.

Ce que nous ferons: Delta Faucet Company réparera ou remplacera gratuitement, pendant la période de garantie applicable (décrite ci-dessus), toute pièce ou tout fini qui présentera une défectuosité de matériau et/ou un vice de fabrication pour autant que le produit ait été installé, utilisé et entretenu normalement. Delta Faucet Company peut, à sa seule discrétion, utiliser des produits neufs, remis à neuf ou recertifiés ou des pièces neuves, remises à neuf ou recertifiées pour effectuer la réparation ou le remplacement. S'il n'est pas utile de réparer ou de remplacer le produit, Delta Faucet Company pourra rembourser le prix d'achat en échange du produit retourné. Il s'agit de vos seuls recours.

Ce qui n'est pas couvert: Étant donné que Delta Faucet Company n'est pas en mesure de contrôler la qualité des produits vendus par des vendeurs non autorisés, la présente garantie ne s'applique pas aux produits Delta vendus par des vendeurs non autorisés, à moins que cette restriction ne soit interdite par la loi.

La présente garantie ne couvre pas les frais de main-d'œuvre encourus par l'acheteur pour la réparation, le remplacement, l'installation ou la dépose du robinet. Delta Faucet Company se dégage de toute responsabilité à l'égard de toute détérioration du robinet résultant d'une usure raisonnable et des dommages causés par une utilisation à l'extérieur, un mauvais usage (y compris l'utilisation du produit à des fins autres que celles auxquelles il est destiné), le gel de l'eau, un usage abusif, la négligence ou l'utilisation d'une méthode d'installation, de maintenance ou de réparation incorrecte ou inadéquate, y compris les dommages résultant du non-respect des instructions de nettoyage et d'entretien applicables. Delta Faucet Company vous recommande de confier tous les travaux d'installation et de réparation à un plombier professionnel. Nous vous recommandons également d'utiliser uniquement des pièces de rechange Delta® authentiques.

Ce que vous devez faire pour vous prévaloir de la garantie ou obtenir des pièces de rechange: Vous pouvez présenter une réclamation en vertu de la garantie et obtenir des pièces de rechange en appelant au 1-800-345-DELTA (3358) ou en communiquant avec nous à l'une des adresses postales ou des adresses de courriel indiquées ci-dessous (veuillez fournir le numéro de modèle, la date de l'achat initial et la documentation attestant la date de réception du produit par le premier acheteur ou son représentant autorisé (installateur, etc.)).

Aux États-Unis et au Mexique

Delta Faucet Company
55 E. 111th Street
Carmel, IN 46280
Attention: Warranty Service
www.deltafaucet.com/service-parts/contact-us

Au Canada:

Masco Canada Limited, Groupe plomberie
Centre de services techniques
350, chemin South Edgeware
St. Thomas (Ontario) Canada N5P 4L1
À l'attention du Service à la clientèle
<http://www.deltafaucet.ca/customersupport/assistance.html>

La preuve d'achat (original du reçu du premier acheteur montrant la date d'achat) et la documentation attestant la date de réception du produit par le premier acheteur ou son représentant autorisé (installateur, etc.) doivent être présentés à Delta Faucet Company pour toutes les demandes en vertu de la garantie, sauf si le produit a été enregistré auprès de Delta Faucet Company ou si le produit est un produit recertifié Delta® acheté auprès de deltafaucet.com. La présente garantie s'applique uniquement aux robinets Delta® fabriqués après le 1er janvier 2019 et installés aux États-Unis d'Amérique, au Canada et au Mexique.

Limitation de la durée des garanties implicites: Veuillez noter qu'il est interdit, dans certains États ou certaines provinces (y compris le Québec), de limiter la durée d'une garantie implicite. Par conséquent, les limitations mentionnées ci-dessous peuvent ne pas s'appliquer à vous. DANS LA MESURE DE CE QUI EST PERMIS PAR LA LOI APPLICABLE, TOUTES LES GARANTIES IMPLICITES, Y COMPRIS LES GARANTIES IMPLICITES DE QUALITÉ MARCHANDE ET D'ADÉQUATION À UN USAGE PARTICULIER, SE LIMITENT À LA PÉRIODE FIXÉE PAR LA LOI OU À LA DURÉE DE LA PRÉSENTE GARANTIE, LA PLUS COURTE DES DEUX PÉRIODES S'APPLIQUANT.

Limitation des dommages particuliers, consécutifs ou indirects: Veuillez noter qu'il est interdit, dans certains États ou certaines provinces (y compris le Québec), d'exclure ou de limiter les dommages particuliers, consécutifs ou indirects. Par conséquent, les limitations et les exclusions mentionnées ci-dessous peuvent ne pas s'appliquer à vous. DANS LA MESURE DE CE QUI EST PERMIS PAR LA LOI APPLICABLE, DELTA FAUCET COMPANY SE DÉGAGE DE TOUTE RESPONSABILITÉ À L'ÉGARD DES DOMMAGES PARTICULIERS, CONSÉCUTIFS ET INDIRECTS (Y COMPRIS LES FRAIS DE MAIN-D'ŒUVRE POUR LA RÉPARATION, LE REMPLACEMENT, L'INSTALLATION OU LA DÉPOSE DU PRODUIT), PEU IMPORTE QU'ILS DÉCOULENT D'UNE RUPTURE D'UNE GARANTIE IMPLICITE OU EXPLICITE, D'UNE RUPTURE DE CONTRAT, D'UN DÉLIT CIVIL OU D'UNE AUTRE CAUSE. DELTA FAUCET COMPANY SE DÉGAGE DE TOUTE RESPONSABILITÉ À L'ÉGARD DE TOUTE DÉTÉRIORATION DU ROBINET RÉSULTANT D'UNE USURE RAISONNABLE ET DES DOMMAGES CAUSÉS PAR UNE UTILISATION À L'EXTÉRIEUR, UN MAUVAIS USAGE (Y COMPRIS L'UTILISATION DU PRODUIT À DES FINS AUTRES QUE CELLES AUXQUELLES IL EST DESTINÉ), LE GEL DE L'EAU, UN USAGE ABUSIF, LA NÉGLIGENCE OU L'UTILISATION D'UNE MÉTHODE D'INSTALLATION, DE MAINTENANCE OU DE RÉPARATION INCORRECTE OU INADÉQUATE, Y COMPRIS LES DOMMAGES RÉSULTANT DU NON-RESPECT DES INSTRUCTIONS D'INSTALLATION, D'ENTRETIEN ET DE NETTOYAGE APPLICABLES, ET CES DOMMAGES NE SONT PAS COUVERTS PAR LA GARANTIE. Avis à l'intention des résidents de l'État du New Jersey : Les dispositions de la présente garantie, y compris ses limitations, s'appliquent dans toute la mesure permise par les lois de l'État du New Jersey.

Droits supplémentaires: La présente garantie vous procure des droits particuliers reconnus par la loi. Vous pouvez avoir d'autres droits qui varient selon l'État ou la province. La présente garantie écrite est la seule garantie offerte par Delta Faucet Company et elle n'est pas transférable.

Si vous avez des questions ou des préoccupations concernant notre garantie, veuillez communiquer avec nous de la manière indiquée ci-dessus ou consulter notre FAQ sur la garantie à www.deltafaucet.com.

© 2023 Masco Société de l'Indiana