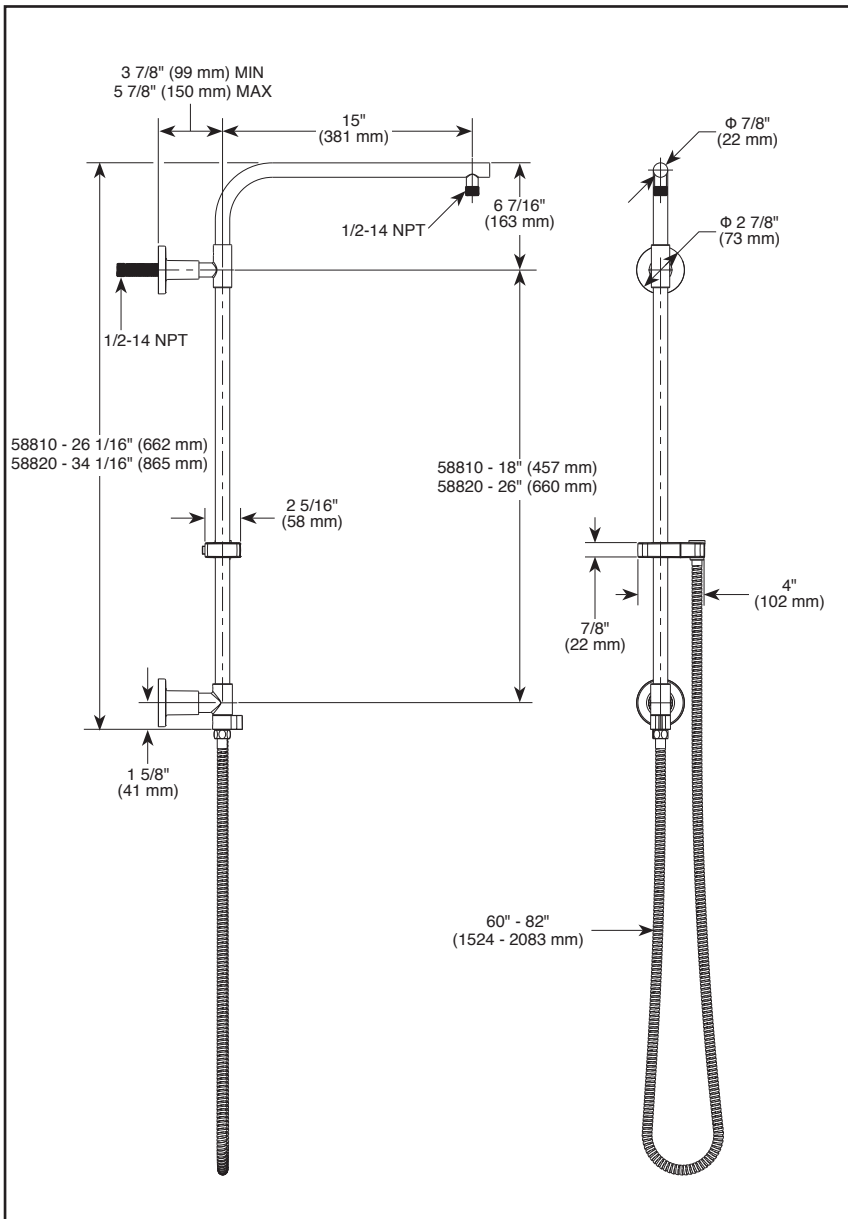


58810 ▲  
58820 ▲

Submitted Model No.: \_\_\_\_\_

Specific Features: \_\_\_\_\_



▲ Designate proper finish suffix



see what Delta can do™

## SHOWER COLUMN KIT

■ Less Hand Shower and Shower Head

### STANDARD SPECIFICATIONS:

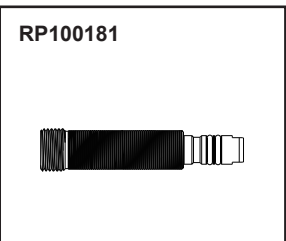
- 58810: 18" Round Contemporary Shower Column - for shower applications
- 58820: 26" Round Contemporary Shower Column - for tub/shower applications
- Shower head and hand shower sold separately to allow for customization
- Sliding hand shower mount adjusts the height and angle of the hand shower
- 15" overhead shower arm
- 3-function diverter at the base of the column allows for single or shared operation of the shower head and hand shower
- 60" - 82" stretchable metal hose
- Retrofits into existing shower arm - no need to modify in-wall plumbing
- Not to be used as a grab bar
- Integrated hose supply. No need for separate wall elbow
- RP100181 (not included): Replaces inlet adapter and limits flow of single and shared operation to 1.75 gpm @ 80 psi, 6.6 L/min @ 550 kPa

### WARRANTY

- Lifetime limited warranty on parts (other than electronic parts and batteries) and finishes; or, for commercial users, for 5 years from date of purchase.
- 5 year limited warranty on electronic parts (other than batteries); or, for commercial users, for 1 year from the date of purchase. No warranty is provided on batteries.

### COMPLIES WITH:

- ASME A112.18.1 / CSA B125.1



Delta reserves the right (1) to make changes in specifications and materials, and (2) to change or discontinue models, both without notice or obligation. Dimensions are for reference only. See current full-line price book or [www.deltafaucet.com](http://www.deltafaucet.com) for finish options and product availability.

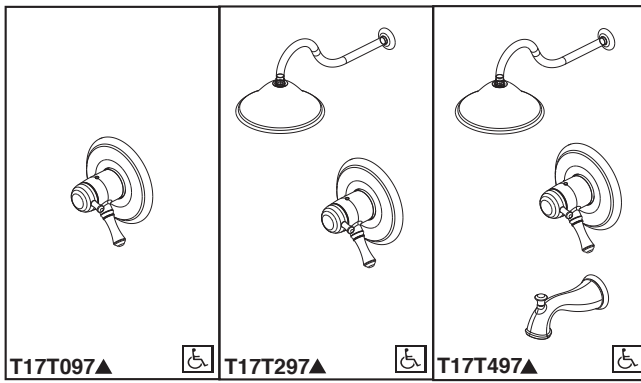
DSP-B-58810 Rev. B

### Delta Faucet Company

55 E. 111th Street, Indianapolis, IN 46280  
350 South Edgeware Road, St. Thomas, ON N5P 4L1  
© 2018 Delta Faucet Company



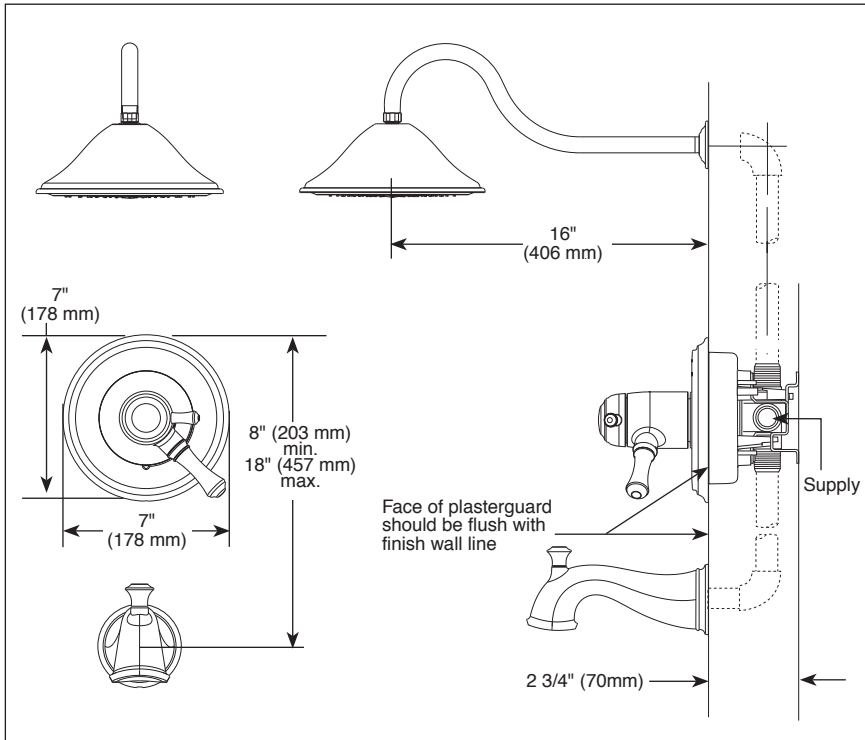
# TUB AND SHOWER FAUCET TRIM



- Cassidy™ Series
- TempAssure® Thermostatic
- Valve Only (T17T097)
- Shower Only (T17T297)
- Tub/Shower (T17T497)

Submitted Model No.: \_\_\_\_\_

Specific Features: \_\_\_\_\_



## FEATURES:

- TempAssure® 17T thermostatic valve cartridge

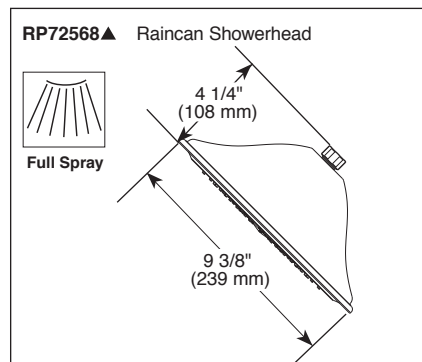
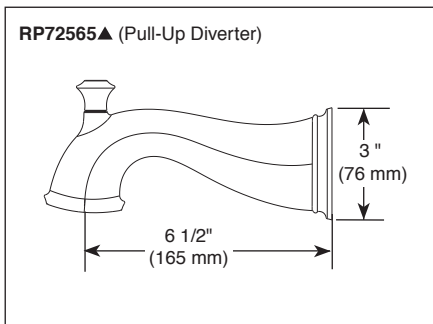
## STANDARD SPECIFICATIONS:

- Thermostatic wax element maintains the outlet temperature to  $\pm 3.6^\circ \text{F}$
- Must also order Multi-Choice® Universal rough separately (R10000)
- Back-to-back installation capability
- Solid brass forged body
- Lever volume control handle; temperature adjustment dial
- Graphics indicate hot/cold temperature adjustment
- Field adjustable to limit rotation into hot water zone
- All parts are replaceable from the front of the valve
- Adjusts for up to 1" wall thickness
- Raincan showerhead 2.50 gpm max @ 80 PSI
- Available extension kit (RP75136 adds up to 1 3/8" installation depth)

## WARRANTY

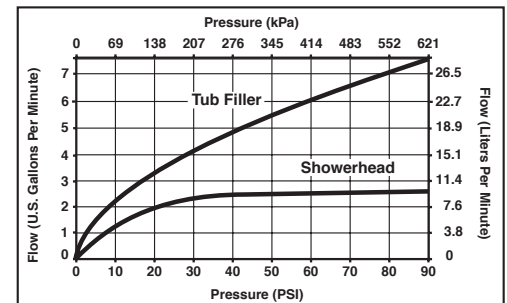
- Lifetime limited warranty on parts (other than electronic parts and batteries) and finishes; or for commercial users, for 5 years from the date of purchase.
- 5 year limited warranty on electronic parts (other than batteries); or for commercial users, for 1 year from the date of purchase. No warranty is provided on batteries.

## ▲ Designate Proper Finish Suffix



## COMPLIES WITH:

- ASME A112.18.1 / CSA B125.1
- ASSE 1016
- Indicates compliance to ICC/ANSI A117.1



Delta reserves the right (1) to make changes in specifications and materials, and (2) to change or discontinue models, both without notice or obligation. Dimensions are for reference only. See current full-line price book or [www.deltafaucet.com](http://www.deltafaucet.com) for finish options and product availability. DSP-B-T17T097 Rev. E



see what Delta can do™

# HANDSHOWER

- H2Okinetic Technology® Handshower
- 29" Wall Bar, Wall mount or Shower Arm Mount
- Certified Dual Check Valves

## STANDARD SPECIFICATIONS:

- Hand held shower with three settings –pause is a non-positive shut-off
- Adjustable shower arm mount for hands-free showering (54433-PK only)
- Wall bar with adjustable height handshower mount (51308 only)
- Adjustable wall mount of hands-free showering (55433 only)
- 60" -82" (1524 mm - 2083 mm) metal stretchable hose
- Maximum 1.75 gpm @ 80 psi, 6.6 L/min @ 550 kPa
- ADA compliant hand shower when installed per accessibility guidelines of the act.

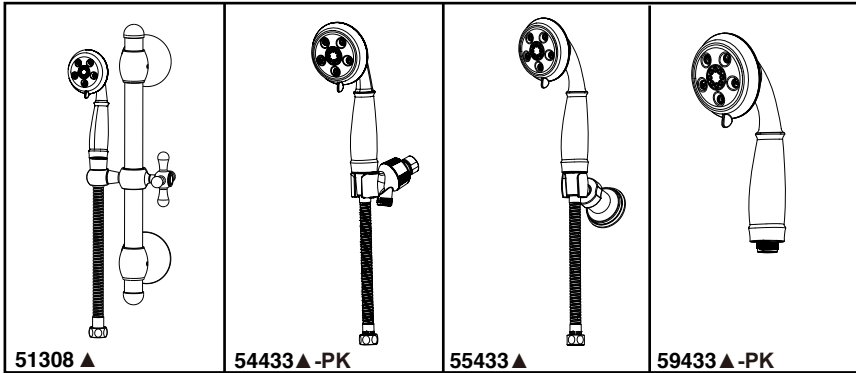
## WARRANTY

- Lifetime limited warranty on parts (other than electronic parts and batteries) and finishes; or, for commercial users, for 5 years from the date of purchase.
- 5 year limited warranty on electronic parts (other than batteries); or for commercial users, for 1 year from the date of purchase. No warranty is provided on batteries



## COMPLIES WITH:

- ASME A112.18.1 / CSA B125.1
- ♿ Indicates compliance to ICC/ANSI A117.1
- EPA WaterSense®



Submitted Model No.: \_\_\_\_\_

Specific Features: \_\_\_\_\_

<p><b>51308 ▲ 1.75 GPM</b></p> <ul style="list-style-type: none"> <li> H<sub>2</sub>Okinetic® Spray</li> <li> Massage Spray</li> <li> Pause</li> </ul>	<p><b>54433 ▲-PK 1.75 GPM</b></p> <ul style="list-style-type: none"> <li> H<sub>2</sub>Okinetic® Spray</li> <li> Massage Spray</li> <li> Pause</li> </ul>
<p><b>55433 ▲ 1.75 GPM</b></p> <ul style="list-style-type: none"> <li> H<sub>2</sub>Okinetic® Spray</li> <li> Massage Spray</li> <li> Pause</li> </ul>	<p><b>59433 ▲-PK 1.75 GPM</b> ♿</p> <ul style="list-style-type: none"> <li> H<sub>2</sub>Okinetic® Spray</li> <li> Massage Spray</li> <li> Pause</li> </ul>

▲ Designate proper finish suffix

Delta reserves the right (1) to make changes in specifications and materials, and (2) to change or discontinue models, both without notice or obligation. Dimensions are for reference only. See current full-line price book or [www.deltafaucet.com](http://www.deltafaucet.com) for finish options and product availability.

DSP-B-51308 Rev. H

## Delta Faucet Company

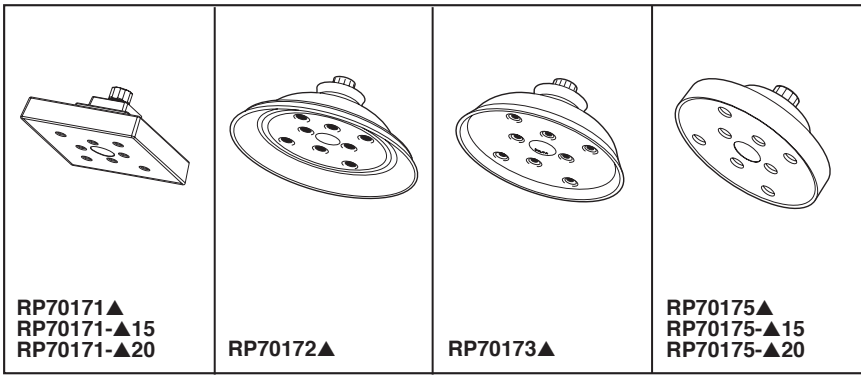
55 E. 111th Street, Indianapolis, IN 46280  
 350 South Edgeware Road, St. Thomas, ON N5P 4L1  
 © 2017 Delta Faucet Company



see what Delta can do™

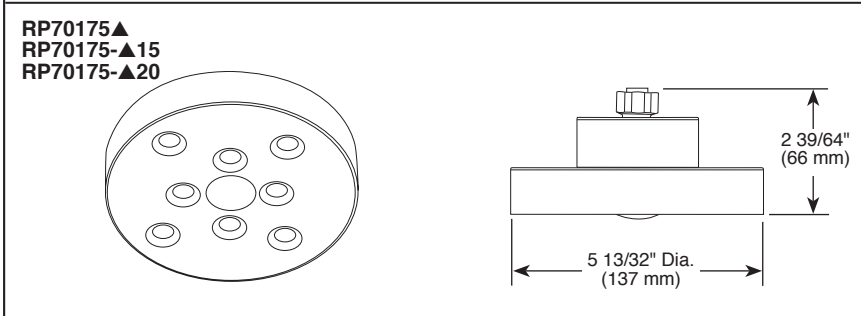
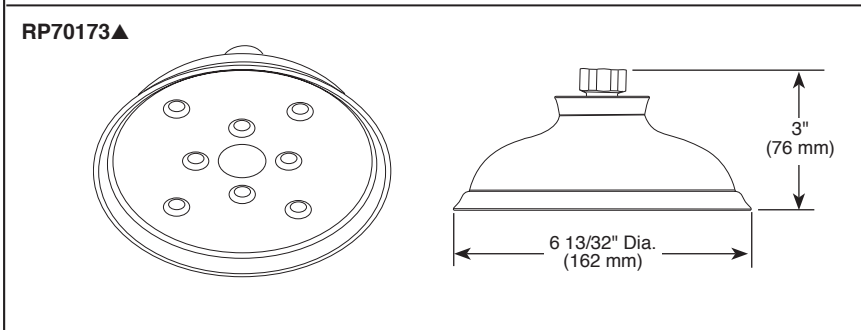
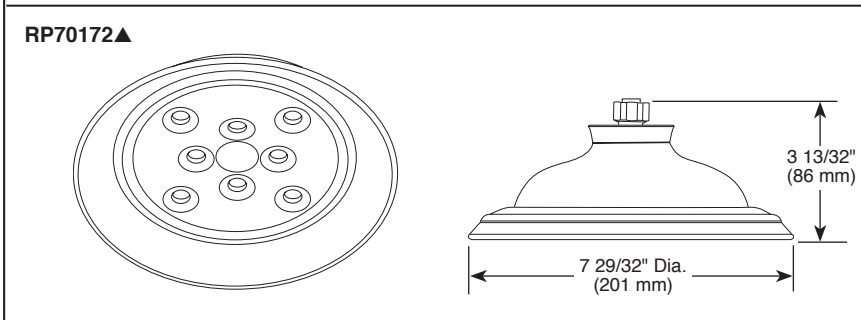
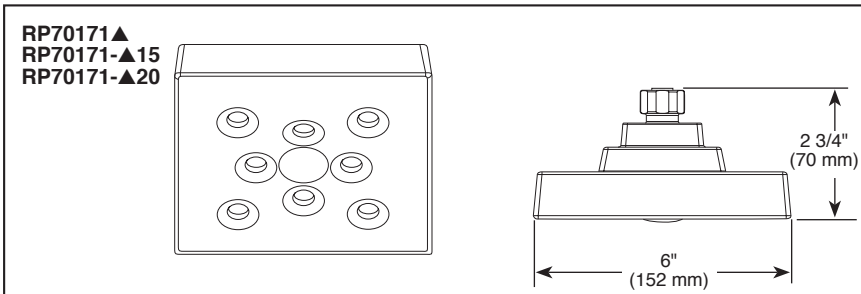
# WATER EFFICIENT SHOWERHEADS

■ H<sub>2</sub>Okinetic Technology®



Submitted Model No.: \_\_\_\_\_

Specific Features: \_\_\_\_\_



▲ Designate Proper Finish Suffix

Delta reserves the right (1) to make changes in specifications and materials, and (2) to change or discontinue models, both without notice or obligation. Dimensions are for reference only. See current full-line price book or [www.deltafaucet.com](http://www.deltafaucet.com) for finish options and product availability.

DSP-B-RP70172 Rev. F

## STANDARD SPECIFICATIONS

- H<sub>2</sub>Okinetic spray
- Standard 1/2" pipe fitting
- Maximum 1.5 gpm @ 80 psi, 5.7 L/min @ 550 kPa (RP70171-▲15 & RP70175-▲15)
- Maximum 1.75 gpm @ 80 psi, 6.6 L/min @ 550 kPa (RP70171▲, RP70172▲, RP70173▲ & RP70175▲)
- Maximum 2.0 gpm @ 80 psi, 7.6 L/min @ 550 kPa (RP70171-▲20 & RP70175-▲20)

## WARRANTY

- Lifetime limited warranty on parts (other than electronic parts and batteries) and finishes: or, for commercial users, for 5 years from date of purchase.
- 5 year limited warranty on electronic parts (other than batteries); or, for commercial users, for 1 year from the date of purchase. No warranty is provided on batteries.



## COMPLIES WITH:

- ASME A112.18.1 / CSA B125.1
- EPA WaterSense®

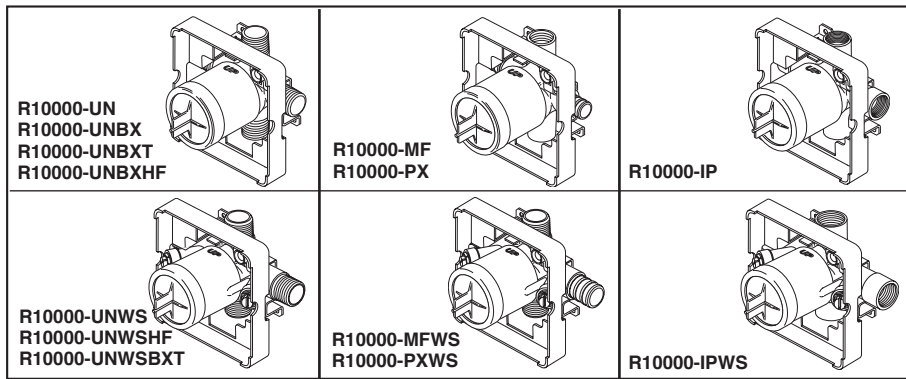
## Spray Patterns



H<sub>2</sub>Okinetic®  
Spray

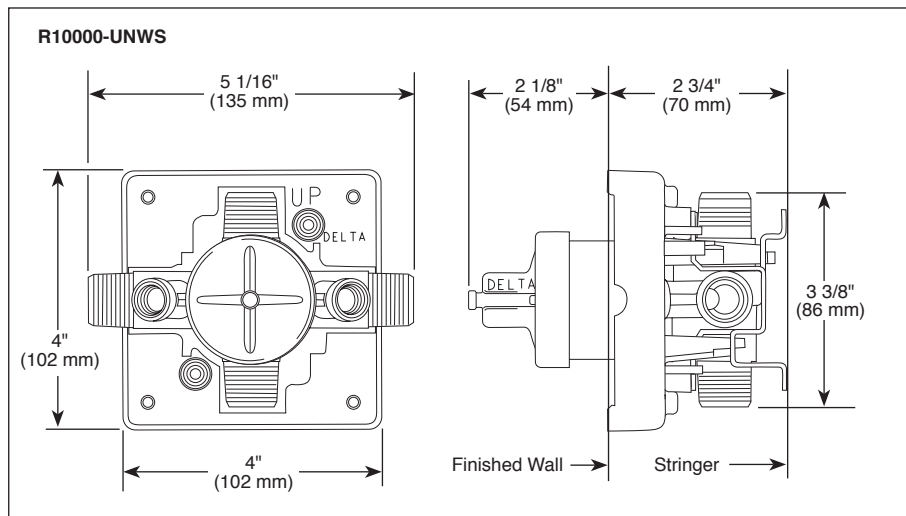
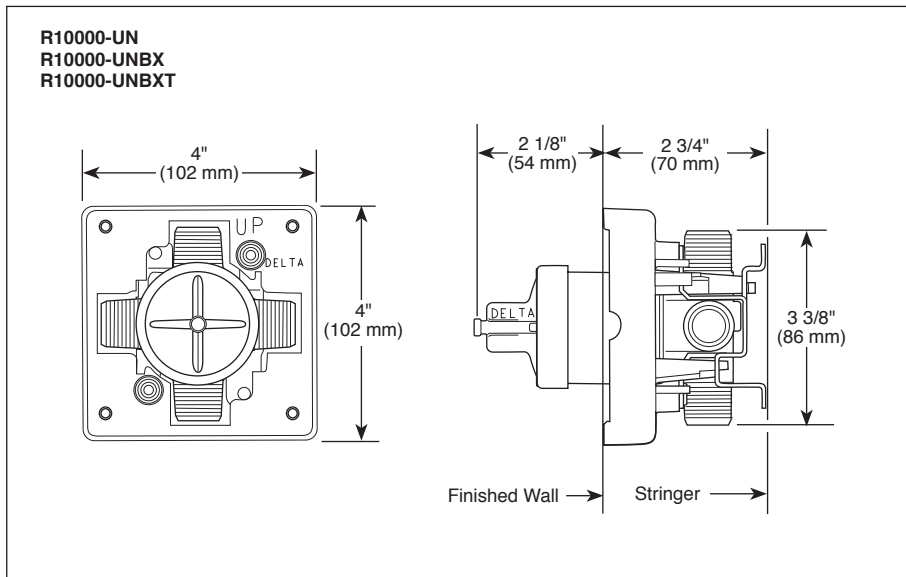
## Delta Faucet Company

55 E. 111th Street, Indianapolis, IN 46280  
350 South Edgeware Road, St. Thomas, ON N5P 4L1  
© 2017 Delta Faucet Company



Submitted Model No.: \_\_\_\_\_

Specific Features: \_\_\_\_\_



## MULTICHOICE® UNIVERSAL ROUGH VALVE BODY

- R10000-UN (Universal Inlets/Outlets)
- R10000-UNBX (Universal Single Box Model)
- R10000-UNBXHF (High Flow Shower Only)
- R10000-UNBXT (Thin Wall)
- R10000-UNWS (Universal with Stops)
- R10000-UNWSHF (High Flow with Stops)
- R10000-UNWSBXT (Thin Wall with Stops)
- R10000-PX (Pex Crimp Connections with UN Outlets)
- R10000-PXWS (Pex Crimp Connections with Stop with UN Outlets)
- R10000-IP (IPS Inlets/Outlets)
- R10000-IPWS (IPS with Stops)
- R10000-MF (Pex Cold Expansion Connections with UN Outlets)
- R10000-MFWS (Pex Cold Expansion with Stops with UN Outlets)

### STANDARD SPECIFICATIONS:

- Forged brass body.
- Back-to-Back installation capabilities.
- Can be tested with air (200 PSI) or water (300 PSI) without valve using supplied test cap.
- Square plasterguard allows for right angle cuts.
- Thin wall mounting.
- For use with MultiChoice® Universal single or dual function trim. Cartridge ships with trim.
- 1/2" outlets and connections.

Note: No tub outlet in HF model.

Note: Should use proper fitting with each type (copper tubing, iron pipe, and pex fitting).

Note: Should use proper tooling with crimping pex fitting and cold expansion pex models.

Note: IP indicates female 1/2" threaded connections.

Note: UN indicates Universal type fitting and is 1/2" NPT male thread with 1/2" C.W.T. female sweat.

### WARRANTY

- Lifetime limited warranty on parts (other than electronic parts and batteries) and finishes: or, for commercial users, for 5 years from date of purchase.
- 5 year limited warranty on electronic parts (other than batteries); or, for commercial users, for 1 year from the date of purchase. No warranty is provided on batteries.

### COMPLIES WITH:

- ASME A112.18.1 / CSA B125.1



55 E. 111th Street, Indianapolis, Indiana 46280  
350 South Edgeware Road, St. Thomas, ON N5P 4L1  
© 2015 Masco Corporation of Indiana

Delta reserves the right (1) to make changes in specifications and materials, and (2) to change or discontinue models, both without notice or obligation. Dimensions are for reference only. See current full-line price book or [www.deltafaucet.com](http://www.deltafaucet.com) for finish options and product availability.