



see what Delta can doSM

TUB AND SHOWER FAUCET TRIM

- Zura™ Bath Collection
- Valve Only (T14074)
- Shower Only (T14274)
- Tub/Shower (T14474)

FEATURES:

- Monitor® 14 Series pressure balanced bath single handle mixing valve trim
- Three-setting H₂Okinetic® Technology showerhead

STANDARD SPECIFICATIONS:

- Maintains a balanced pressure of hot and cold water even when a valve is turned on or off elsewhere in the system.
- For use with MultiChoice® Universal rough valve body. (R10000 Series)
- Back-to-back installation capability.
- Solid brass forged body.
- Temperature only controlled with handle.
- Field adjustable to limit handle rotation into hot water zone.
- 120° maximum handle rotation.
- All parts replaceable from the front of the valve.
- Maximum 1.75 gpm @ 80 psi, 6.6 L/min @ 550 kPa.
- Red/blue pad print temperature indicator on the temperature adjustment dial.
- "-LHD" models indicate less showerhead.
- Stem extension kit RP77991 can be ordered to allow for an additional 1 3/4" wall thickness. RP77991 ships with chrome escutcheon screws. For special finishes also order RP12630 escutcheon screws in desired finish.

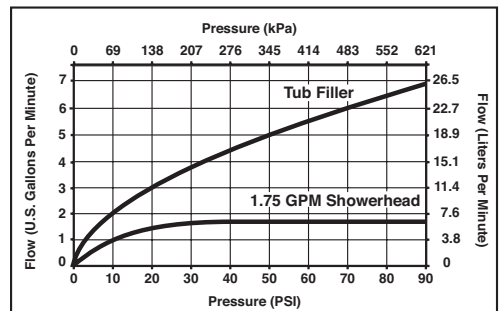
WARRANTY

- Lifetime limited warranty on parts (other than electronic parts and batteries) and finishes: or, for commercial users, for 5 years from date of purchase.
- 5 year limited warranty on electronic parts (other than batteries); or, for commercial users, for 1 year from the date of purchase. No warranty is provided on batteries.



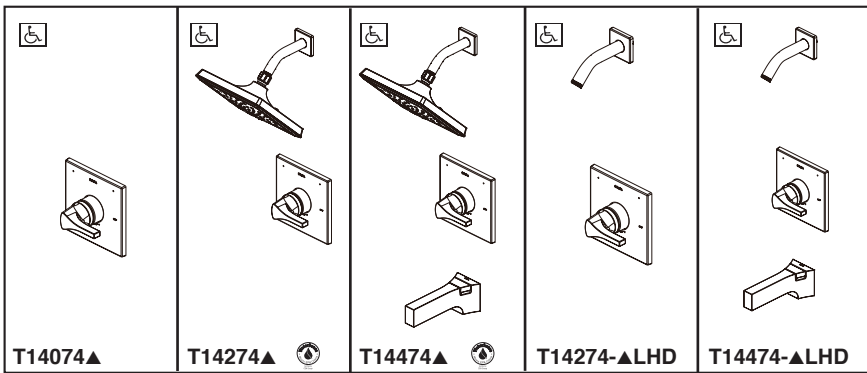
COMPLIES WITH:

- ASME A112.18.1 / CSA B125.1
- Indicates compliance to ICC/ANSI A117.1-Valve control only.
- EPA WaterSense®



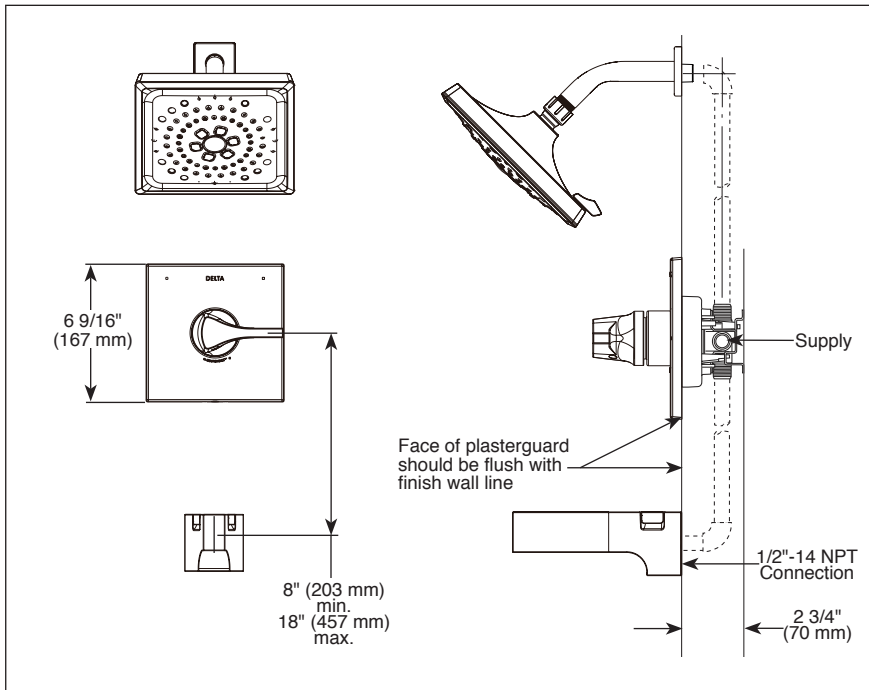
Delta Faucet Company

55 E. 111th Street, Indianapolis, IN 46280
 350 South Edgeware Road, St. Thomas, ON N5P 4L1
 © 2017 Delta Faucet Company

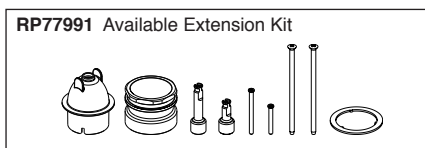
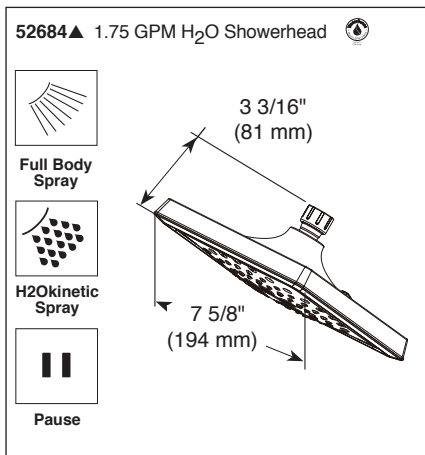
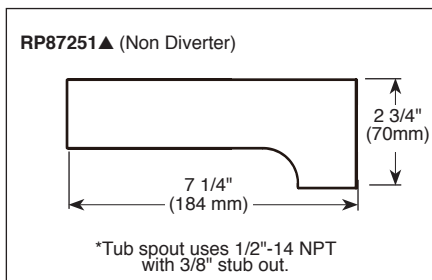
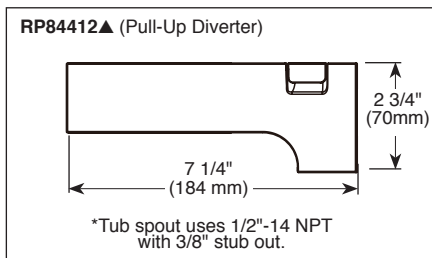


Submitted Model No.: _____

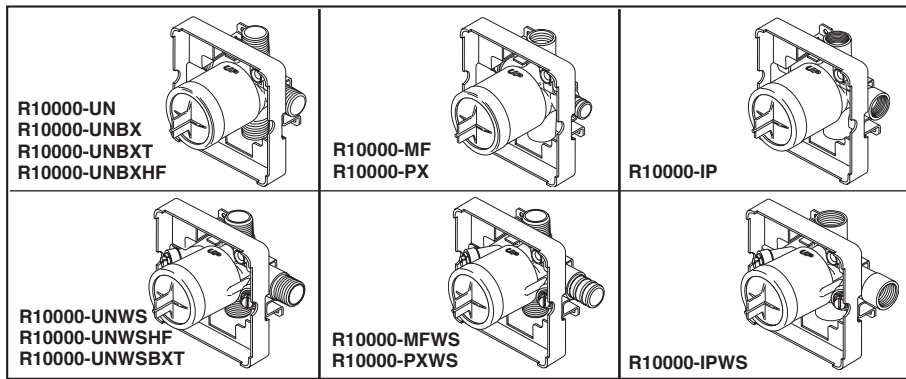
Specific Features: _____



▲ Designate Proper Finish Suffix

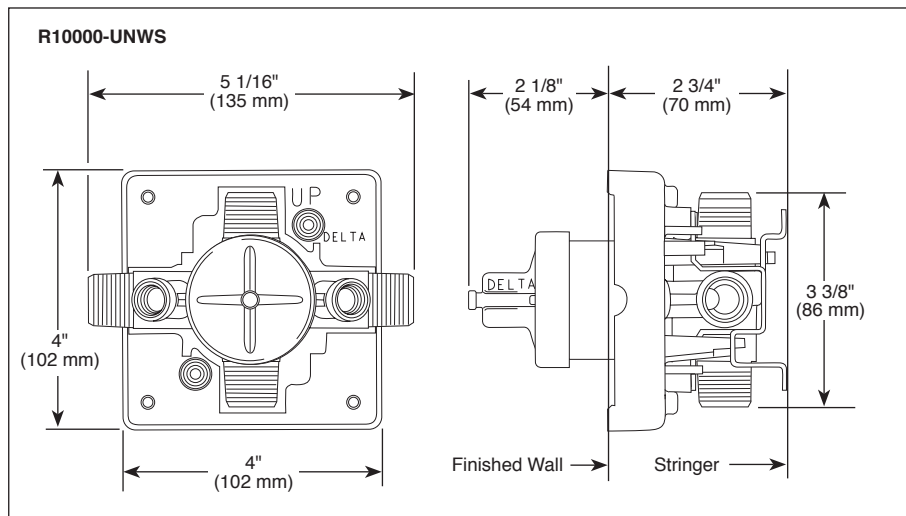
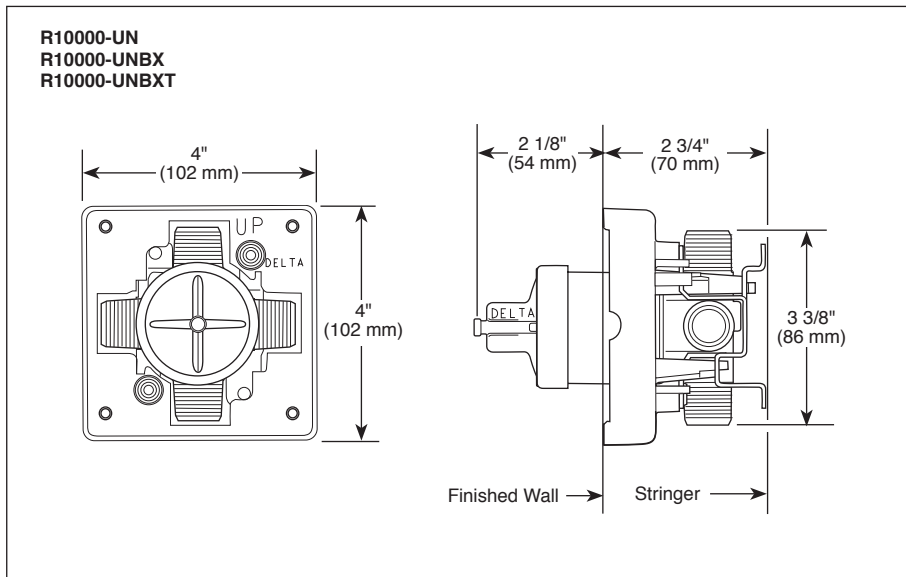



Delta reserves the right (1) to make changes in specifications and materials, and (2) to change or discontinue models, both without notice or obligation. Dimensions are for reference only. See current full-line price book or www.deltafaucet.com for finish options and product availability.



Submitted Model No.: _____

Specific Features: _____

MULTICHOICE[®] UNIVERSAL ROUGH VALVE BODY

- R10000-UN (Universal Inlets/Outlets)
- R10000-UNBX (Universal Single Box Model)
- R10000-UNBXHF (High Flow Shower Only)
- R10000-UNBXT (Thin Wall)
- R10000-UNWS (Universal with Stops)
- R10000-UNWSHF (High Flow with Stops)
- R10000-UNWSBXT (Thin Wall with Stops)
- R10000-PX (Pex Crimp Connections with UN Outlets)
- R10000-PXWS (Pex Crimp Connections with Stop with UN Outlets)
- R10000-IP (IPS Inlets/Outlets)
- R10000-IPWS (IPS with Stops)
- R10000-MF (Pex Cold Expansion Connections with UN Outlets)
- R10000-MFWS (Pex Cold Expansion with Stops with UN Outlets)

STANDARD SPECIFICATIONS:

- Forged brass body.
- Back-to-Back installation capabilities.
- Can be tested with air (200 PSI) or water (300 PSI) without valve using supplied test cap.
- Square plasterguard allows for right angle cuts.
- Thin wall mounting.
- For use with MultiChoice[®] Universal single or dual function trim. Cartridge ships with trim.
- 1/2" outlets and connections.

Note: No tub outlet in HF model.

Note: Should use proper fitting with each type (copper tubing, iron pipe, and pex fitting).

Note: Should use proper tooling with crimping pex fitting and cold expansion pex models.

Note: IP indicates female 1/2" threaded connections.

Note: UN indicates Universal type fitting and is 1/2" NPT male thread with 1/2" C.W.T. female sweat.

WARRANTY

- Lifetime limited warranty on parts (other than electronic parts and batteries) and finishes: or, for commercial users, for 5 years from date of purchase.
- 5 year limited warranty on electronic parts (other than batteries); or, for commercial users, for 1 year from the date of purchase. No warranty is provided on batteries.

COMPLIES WITH:

- ASME A112.18.1 / CSA B125.1



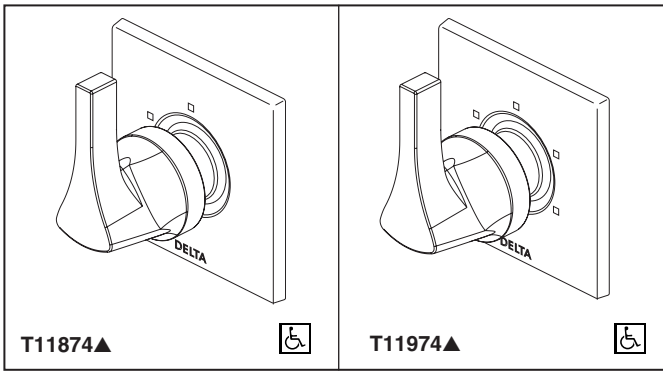
55 E. 111th Street, Indianapolis, Indiana 46280
350 South Edgeware Road, St. Thomas, ON N5P 4L1
© 2015 Masco Corporation of Indiana

Delta reserves the right (1) to make changes in specifications and materials, and (2) to change or discontinue models, both without notice or obligation. Dimensions are for reference only. See current full-line price book or www.deltafaucet.com for finish options and product availability.



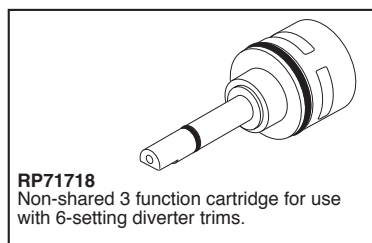
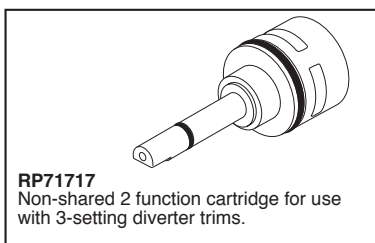
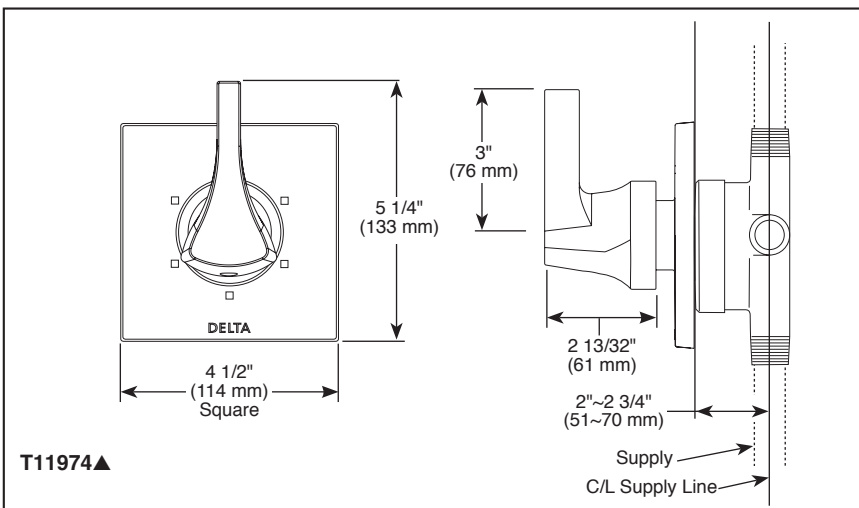
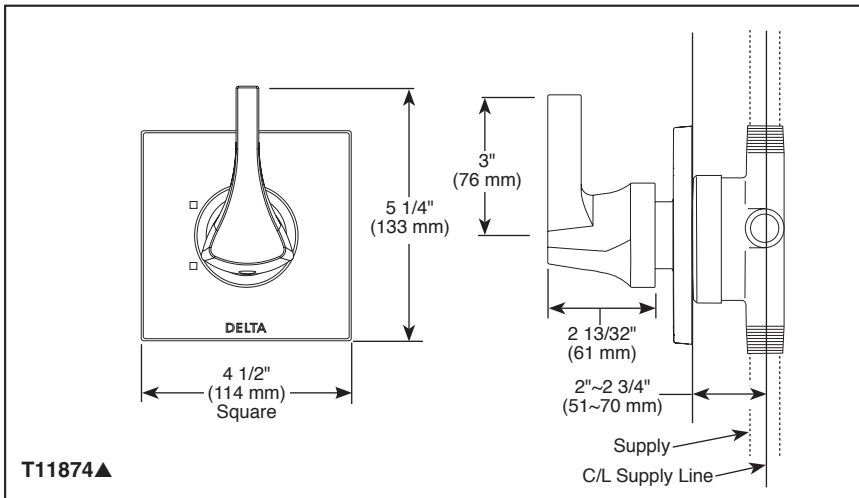
CUSTOM SHOWER DIVERTER

- Zura™ Bath Collection
- Three Function Diverter Trim (T11874)
- Six Function Diverter Trim (T11974)



Submitted Model No.: _____

Specific Features: _____



STANDARD SPECIFICATIONS

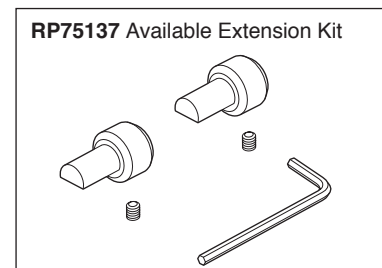
- Three function diverter. 2 individual positions, 1 shared position.
- Six function diverter. 3 individual positions, 3 shared positions.
- 1/2" rough-in.
- Must also order R1 1000 rough-in.
- Two individual positions, no shared positions, order cartridge RP71717.
- Three individual positions, no shared positions, order cartridge RP71718.
- Installation extension kit order RP75137, adds 1" to maximum installation thickness.

WARRANTY

- Lifetime limited warranty on parts (other than electronic parts and batteries) and finishes: or, for commercial users, for 5 years from date of purchase.
- 5 year limited warranty on electronic parts (other than batteries); or, for commercial users, for 1 year from the date of purchase. No warranty is provided on batteries.

COMPLIES WITH:

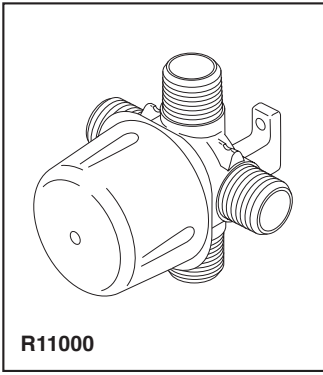
- ASME A112.18.1 / CSA B125.1
- ♿ Indicates compliance to ICC/ANSI A117.1



55 E. 111th Street, Indianapolis, Indiana 46280
350 South Edgeware Road, St. Thomas, ON N5P 4L1
© 2016 Masco Corporation of Indiana

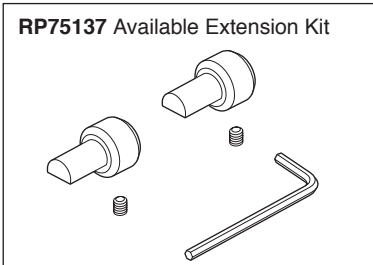
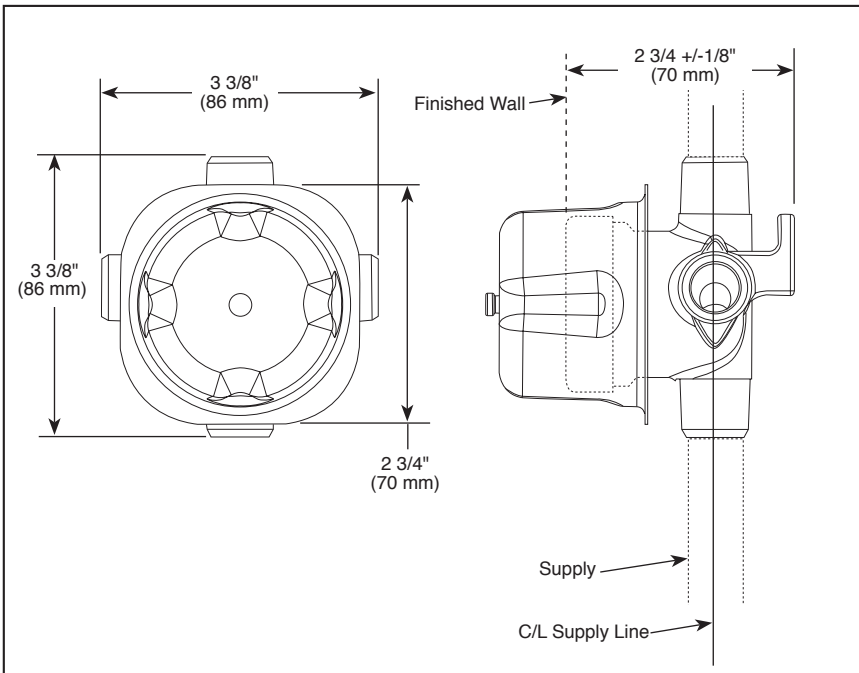
▲ Designate proper finish suffix

Delta reserves the right (1) to make changes in specifications and materials, and (2) to change or discontinue models, both without notice or obligation. Dimensions are for reference only. See current full-line price book or www.deltafaucet.com for finish options and product availability.



Submitted Model No.: _____

Specific Features: _____



ROUGH VALVE BODY

- R11000 (Case Qty. 3)
- 1/2" Rough-In

STANDARD SPECIFICATIONS

- Three port diverter rough
- For use with (3) three or (6) six function diverter.
- Forged brass body
- Can be tested with air (200 psi) or water (300 psi) using supplied test cap
- Refer to the installation instructions for more details

WARRANTY

- Lifetime limited warranty on parts (other than electronic parts and batteries) and finishes: or, for commercial users, for 5 years from date of purchase.
- 5 year limited warranty on electronic parts (other than batteries); or, for commercial users, for 1 year from the date of purchase. No warranty is provided on batteries.

COMPLIES WITH:

- ASME A112.18.1 / CSA B125.1

Delta reserves the right (1) to make changes in specifications and materials, and (2) to change or discontinue models, both without notice or obligation. Dimensions are for reference only. See current full-line price book or www.deltafaucet.com for finish options and product availability.

DSP-B-R11000 Rev. E



55 E. 111th Street, Indianapolis, Indiana 46280
 350 South Edgeware Road, St. Thomas, ON N5P 4L1
 © 2015 Masco Corporation of Indiana



see what Delta can do™

HANDSHOWER

- H2Okinetic Technology® Handshower
- 5-Spray Setting Handshower

FEATURES:

- Touch-Clean® Nozzles

STANDARD SPECIFICATIONS:

- Maximum 1.75 gpm @ 80 psi, 6.6 L/min @ 550 kPa
- Certified dual check valves for backflow protection
- Change spray modes with pushbutton
- Hand held shower with five spray settings - pause is a non-positive shut-off
- 60" - 82" (1524 mm-2083 mm) stretchable metal hose
- 24" (610 mm) wall bar with adjustable slide - 51140 only
- Wall mount bracket for hands-free showering - 55140 only

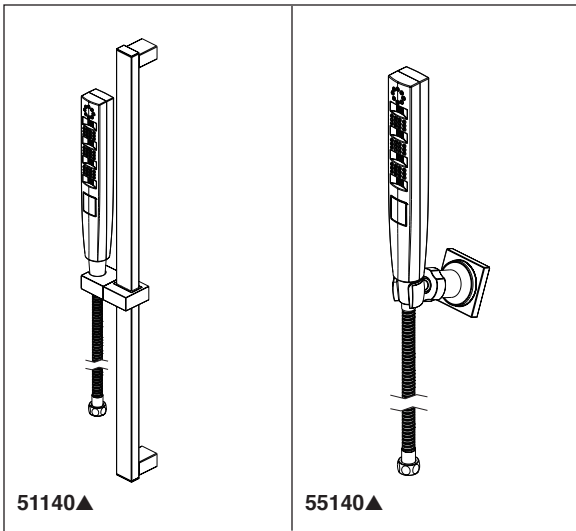
WARRANTY

- Lifetime limited warranty on parts (other than electronic parts and batteries) and finishes; or, for commercial users, for 5 years from the date of purchase.
- 5 year limited warranty on electronic parts (other than batteries); or for commercial users, for 1 year from the date of purchase. No warranty is provided on batteries.



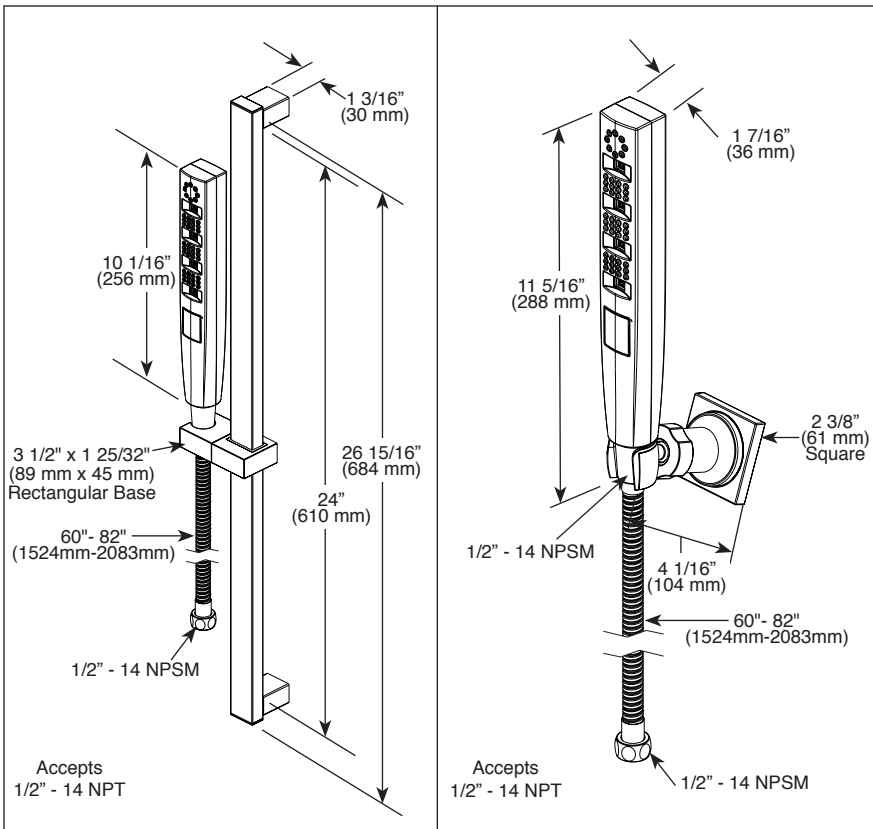
COMPLIES WITH:

- ASME A112.18.1 / CSA B125.1
- EPA WaterSense®



Submitted Model No.: _____

Specific Features: _____



▲ Designate proper finish suffix

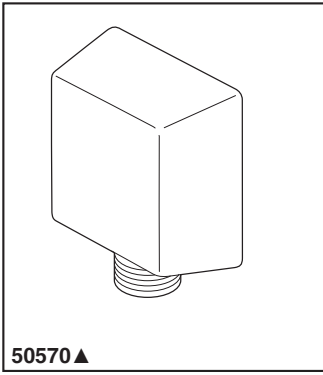
Spray Pattern



Delta reserves the right (1) to make changes in specifications and materials, and (2) to change or discontinue models, both without notice or obligation. Dimensions are for reference only. See current full-line price book or www.deltafaucet.com for finish options and product availability.

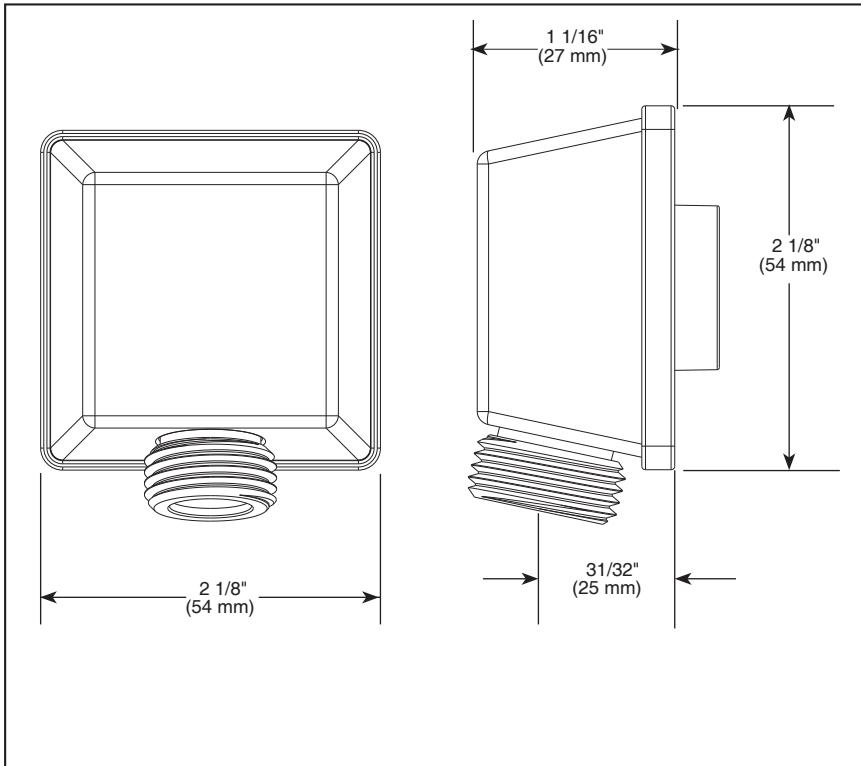
Delta Faucet Company

55 E. 111th Street, Indianapolis, IN 46280
350 South Edgeware Road, St. Thomas, ON N5P 4L1
© 2017 Delta Faucet Company



Submitted Model No.: _____

Specific Features: _____



▲ Designate proper finish suffix



ELBOW

STANDARD SPECIFICATIONS

- Solid brass construction.
- 1/2" female NPT inlet.
- 1/2" male NPSM outlet for connecting to shower hoses.

WARRANTY

- Lifetime Faucet and Finish Limited Warranty to the original consumer purchaser to be free from defects in material and workmanship.
- 5 Year Limited Warranty for usage in all industrial, commercial and business applications.

COMPLIES WITH:

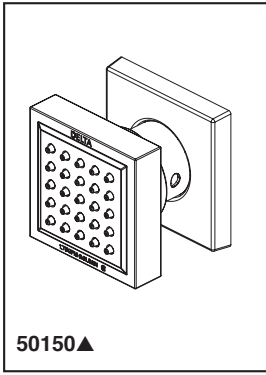
- ASME A112.18.1 / CSA B125.1

Delta reserves the right (1) to make changes in specifications and materials, and (2) to change or discontinue models, both without notice or obligation. Dimensions are for reference only. See current full-line price book or www.specselect.com for finish options and product availability.

DSP-B-50570 Rev. A



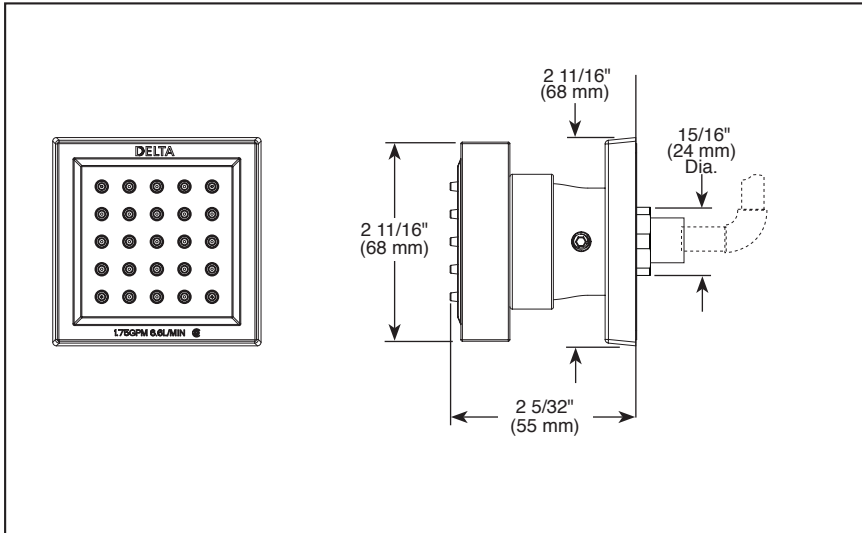
55 E. 111th Street, Indianapolis, Indiana 46280
 350 South Edgeware Road, St. Thomas, ON N5P 4L1
 © 2012 Masco Corporation of Indiana



50150▲

Submitted Model No.: _____

Specific Features: _____



▲ Designate Proper Finish Suffix



see what Delta can do™

BODY SPRAY

STANDARD SPECIFICATIONS

- Maximum 1.75 gpm @ 80 psi, 6.6 L/min @ 550 kPa
- 1/2" rough-in*
- 30" up and down adjustment
- Solid brass construction
- Matching finish spray face
- Touch-clean® nubs

*Note: This installation requires a 1/2" male threaded pipe fitting to extend 1/4" beyond the finished surface.

WARRANTY

- Lifetime limited warranty on parts (other than electronic parts and batteries) and finishes; or, for commercial users, for 5 years from date of purchase.
- 5 year limited warranty on electronic parts (other than batteries); or, for commercial users, for 1 year from the date of purchase. No warranty is provided on batteries.

COMPLIES WITH:

- ASME A112.18.1 / CSA B125.1

Delta reserves the right (1) to make changes in specifications and materials, and (2) to change or discontinue models, both without notice or obligation. Dimensions are for reference only. See current full-line price book or www.deltafaucet.com for finish options and product availability.

DSP-B-50150 Rev. C

Delta Faucet Company

55 E. 111th Street, Indianapolis, IN 46280
 350 South Edgeware Road, St. Thomas, ON N5P 4L1
 © 2017 Delta Faucet Company