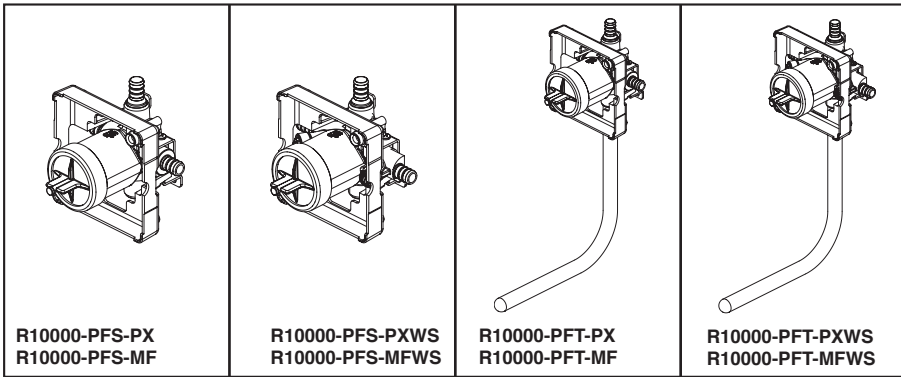




see what Delta can do™

MULTICHOICE® UNIVERSAL ROUGH VALVE BODY



R10000-PFS-PX
R10000-PFS-MF

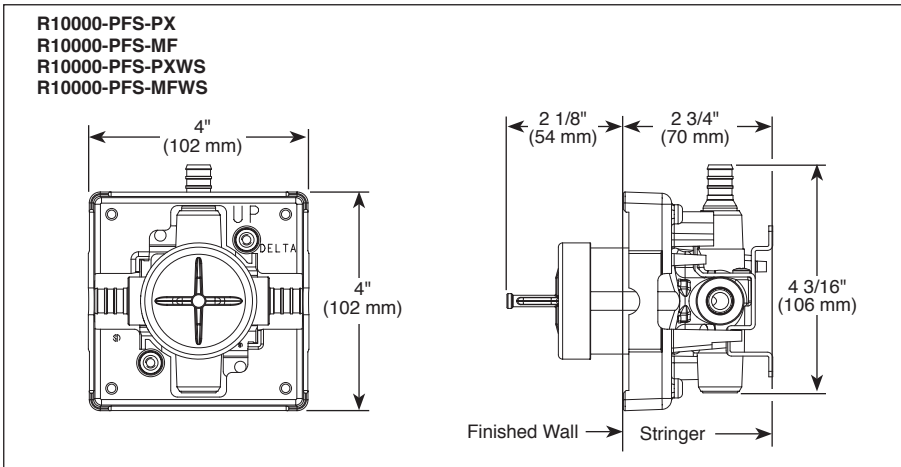
R10000-PFS-PXWS
R10000-PFS-MFWS

R10000-PFT-PX
R10000-PFT-MF

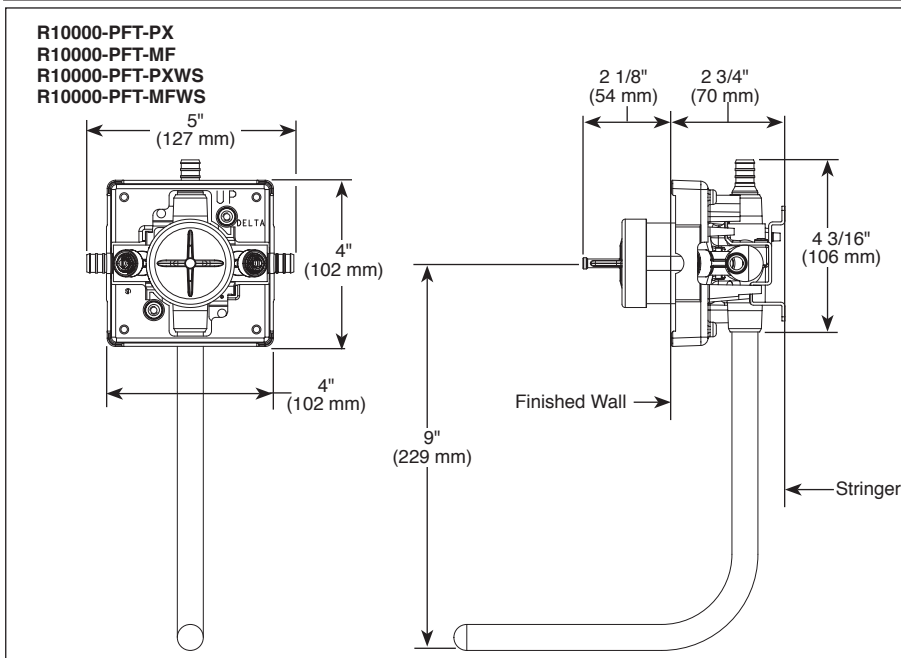
R10000-PFT-PXWS
R10000-PFT-MFWS

Submitted Model No.: _____

Specific Features: _____



R10000-PFS-PX
R10000-PFS-MF
R10000-PFS-PXWS
R10000-PFS-MFWS



R10000-PFT-PX
R10000-PFT-MF
R10000-PFT-PXWS
R10000-PFT-MFWS

- R10000-PFS-PX (Pex Crimp-Shower Only)
- R10000-PFT-PX (Pex Crimp with Tub Drop)
- R10000-PFS-MF (Pex Cold Expansion-Shower Only)
- R10000-PFT-MF (Pex Cold Expansion-with Tub Drop)
- R10000-PFS-PXWS (Pex Crimp with Stops-Shower Only)
- R10000-PFT-PXWS (Pex Crimp with Stops with Tub Drop)
- R10000-PFS-MFWS (Pex Cold Expansion with Stops-Shower Only)
- R10000-PFT-MFWS (Pex Cold Expansion with Stops with Tub Drop)

STANDARD SPECIFICATIONS:

- Forged brass body.
- Back-to-Back installation capabilities.
- Can be tested with air (200 PSI) or water (300 PSI) without valve using supplied test cap.
- Square plasterguard allows for right angle cuts.
- Thin wall mounting.
- For use with MultiChoice® Universal single or dual function trim. Cartridge ships with trim.
- 1/2" outlets and connections.

Note: No tub outlet in PFS model.

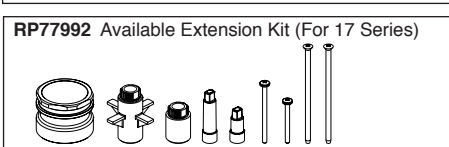
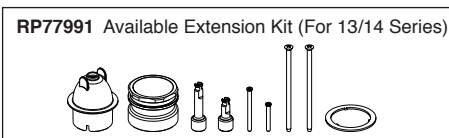
Note: Should use proper tooling with crimping pex fitting and cold expansion pex models.

WARRANTY

- Lifetime limited warranty on parts (other than electronic parts and batteries) and finishes: or, for commercial users, for 5 years from date of purchase.
- 5 year limited warranty on electronic parts (other than batteries); or, for commercial users, for 1 year from the date of purchase. No warranty is provided on batteries.

COMPLIES WITH:

- ASME A112.18.1 / CSA B125.1



Delta reserves the right (1) to make changes in specifications and materials, and (2) to change or discontinue models, both without notice or obligation. Dimensions are for reference only. See current full-line price book or www.deltafaucet.com for finish options and product availability.