



see what Delta can do™

MultiChoice® Valve Trim with Diverter Installation Instructions

Owners Manual

T27 Models

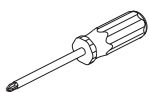
107532



X00107532

Write purchased model number here.

You May Need



3/32"

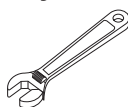


Table of Contents:

Warranties	Page 2
Installation Instructions	Pages 3 - 7
Clean and care.....	Page 9
Maintenance	Page 9
Cartridge Summary Reference Sheet	Page 9

For additional replacement parts,
visit www.deltafaucet.com/service-parts

THIS VALVE MEETS OR EXCEEDS THE FOLLOWING STANDARDS: ASME A112.18.1/ CSA B125.1 and ASSE 1016 (Type -P- or -T-).

CAUTION: This system/device must be set by the installer to ensure safe, maximum temperature. Any change in the setting may raise the discharge temperature above the limit considered safe and may lead to hot water burns.

NOTICE TO INSTALLER: CAUTION!—As the installer of this valve, it is your responsibility to properly INSTALL and ADJUST this valve per the instructions given. This valve does not automatically adjust for inlet temperature changes, therefore, someone must make the necessary Rotational Limit Stop adjustments at the time of installation and further adjustments may be necessary due to seasonal water temperature change. **YOU MUST** inform the owner/user of this requirement by following the instructions. If you or the owner/user are unsure how to properly make these adjustments please refer to page 6 and if still uncertain, call us at 1-800-345-DELTA.

After installation and adjustment, you must affix your name, company name and the date you

adjusted the Rotational Limit Stop to the caution label provided and apply or attach the label to the back side of the closest cabinet door and the warning label to the water heater. **Leave this Instruction Sheet for the owner's/user's reference.**

WARNING: This pressure balanced or thermostatic bath valve is designed to minimize the effects of outlet water temperature changes due to inlet pressure changes, commonly caused by dishwashers, washing machines, toilets and the like. It may not provide protection from hot water burns when there is a failure of other temperature controlling devices elsewhere in the plumbing system, if the rotational limit stop is not properly set or if the hot water temperature is changed after the settings are made or if the water inlet changes due to seasonal changes.

WARNING: Do not install a shut-off device on either outlet of this valve. When this type of device shuts off the water flow, it can defeat the ability of the valve to balance the hot and cold water pressures.

T27 Models

T27 Models

T27 Models

Limited Warranty on Delta® Faucets

Parts and Finish: All parts (other than electronic parts and batteries) and finishes of Delta® faucets purchased from authorized Delta sellers are warranted to the original consumer purchaser to be free from defects in material and workmanship for as long as the original consumer purchaser owns the home in which the faucet was first installed. For commercial purchasers, (a) the warranty period is ten (10) years for multi-family residential applications and (b) five (5) years for all other commercial applications, in each case from the date that the product is received by the original purchaser or their authorized representative (installation contractor, etc.). For purposes of this warranty, the term "multi-family residential application" refers to the purchase of the faucet from an authorized Delta seller by a purchaser who owns but does not live in the residential dwelling in which the faucet is initially installed, such as in a rented or leased single unit or multi-unit detached home (duplex or townhome), or a condominium, apartment building or community living center. The following installations are not considered multi-family residential applications, are excluded from the 10-year warranty and are subject to the 5-year warranty: industrial, institutional or other business premises, such as a dormitory, hospitality premises (hotel, motel or extended stay location), airport, educational facility, long- or short-term healthcare facility (hospital, rehabilitation center, nursing, assisted or staged-care living unit), public space or common area.

Parts and Finish for Delta® Recertified Faucets: Delta Faucet Company offers for sale online Delta® Recertified faucets. Delta® Recertified faucets only include faucets that have been certified as such by Delta Faucet Company. All parts (other than electronic parts and batteries) and finishes of these Delta® Recertified faucets are warranted to the original consumer purchaser to be free from defects in material and workmanship for ten (10) years from the date that the product is received by the original purchaser or their authorized representative (installation contractor, etc.). For commercial purchasers, the warranty period is one (1) year from the date that the product is received by the original purchaser or their authorized representative (installation contractor, etc.).

Electronic Parts: Electronic parts (other than batteries), if any, of Delta® faucets purchased from deltafaucet.com or authorized Delta sellers are warranted to the original consumer purchaser to be free from defects in material and workmanship for five (5) years from the date that the product is received by the original purchaser or their authorized representative (installation contractor, etc.) or, for commercial purchasers, for one (1) year from the date that the product is received by the original purchaser or their authorized representative (installation contractor, etc.). No warranty is provided on batteries.

What We Will Do: Delta Faucet Company will repair or replace, free of charge, during the applicable warranty period (as described above), any part or finish that proves defective in material and/or workmanship under normal installation, use and service. Delta Faucet Company may, in its sole discretion, use new, refurbished or recertified parts or products for such repair or replacement. If repair or replacement is not practical, Delta Faucet Company may elect to refund the purchase price in exchange for the return of the product. **These are your exclusive remedies.**

What Is Not Covered: Because Delta Faucet Company is unable to control the quality of Delta products sold by unauthorized sellers, unless otherwise prohibited by law, this warranty does not cover Delta products purchased from unauthorized sellers.

Any labor charges incurred by the purchaser to repair, replace, install or remove this product are not covered by this warranty. Delta Faucet Company shall not be liable for any damage to the faucet resulting from reasonable wear and tear, outdoor use, misuse (including use of the product for an unintended application), freezing water, abuse, neglect or improper or incorrectly performed installation, maintenance or repair, including failure to follow the applicable care and cleaning instructions. Delta Faucet Company recommends using a professional plumber for all installation and repair of faucets. We also recommend that you use only genuine Delta® replacement parts.

What You Must Do To Obtain Warranty Service or Replacement Parts: A warranty claim may be made and replacement parts may be obtained by calling 1 800 345 DELTA (3358) or by contacting us by mail or online as follows (please include your model number, date of original purchase and documentation of the date of receipt of the product by the original purchaser or their authorized representative (installation contractor, etc.):

In the United States and Mexico:

Delta Faucet Company
55 E. 11th Street
Indianapolis, IN 46280
Attention: Warranty Service
www.deltafaucet.com/service-parts/contact-us

In Canada:

Masco Canada Limited, Plumbing Group
Technical Service Centre
350 South Edgeware Road
St. Thomas, Ontario, Canada N5P 4L1
Attention: Customer Service
<http://www.deltafaucet.ca/customersupport/assistance.html>

Proof of purchase (original sales receipt showing purchase date) and documentation of the date of receipt of the product by the original purchaser or their authorized representative (installation contractor, etc.) from the original purchaser must be made available to Delta Faucet Company for all warranty claims unless the purchaser has registered the product with Delta Faucet Company or the product is a Delta® Recertified product purchased from deltafaucet.com. This warranty applies only to Delta® faucets manufactured after January 1, 2019 and installed in the United States of America, Canada and Mexico.

Limitation on Duration of Implied Warranties: Please note that some states/provinces (including Quebec) do not allow limitations on how long an implied warranty lasts, so the below limitations may not apply to you. TO THE MAXIMUM EXTENT PERMITTED BY APPLICABLE LAW, ANY IMPLIED WARRANTY, INCLUDING THE IMPLIED WARRANTIES OF MERCHANTABILITY AND OF FITNESS FOR A PARTICULAR PURPOSE, IS LIMITED TO THE STATUTORY PERIOD OR THE DURATION OF THIS WARRANTY, WHICHEVER IS SHORTER.

Limitation of Special, Incidental or Consequential Damages: Please note that some states/provinces (including Quebec) do not allow the exclusion or limitation of special, incidental or consequential damages, so the below limitations and exclusions may not apply to you. TO THE MAXIMUM EXTENT PERMITTED BY APPLICABLE LAW, THIS WARRANTY DOES NOT COVER, AND DELTA FAUCET COMPANY SHALL NOT BE LIABLE FOR, ANY SPECIAL, INCIDENTAL OR CONSEQUENTIAL DAMAGES (INCLUDING LABOR CHARGES TO REPAIR, REPLACE, INSTALL OR REMOVE THIS PRODUCT), WHETHER ARISING OUT OF BREACH OF ANY EXPRESS OR IMPLIED WARRANTY, BREACH OF CONTRACT, TORT, OR OTHERWISE. DELTA FAUCET COMPANY SHALL NOT BE LIABLE FOR ANY DAMAGE TO THE FAUCET RESULTING FROM REASONABLE WEAR AND TEAR, OUTDOOR USE, MISUSE (INCLUDING USE OF THE PRODUCT FOR AN UNINTENDED APPLICATION), FREEZING WATER, ABUSE, NEGLIGENCE OR IMPROPER OR INCORRECTLY PERFORMED INSTALLATION, MAINTENANCE OR REPAIR, INCLUDING FAILURE TO FOLLOW THE APPLICABLE INSTALLATION, CARE AND CLEANING INSTRUCTIONS. Notice to residents of the State of New Jersey: The provisions of this warranty, including its limitations, are intended to apply to the fullest extent permitted by the laws of the State of New Jersey.

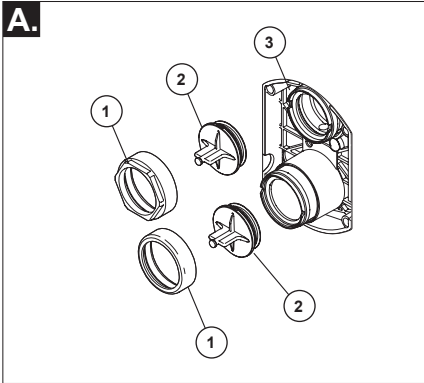
Additional Rights: This warranty gives you specific legal rights, and you may also have other rights which vary from state/province to state/province. This is Delta Faucet Company's exclusive written warranty and the warranty is not transferable.

If you have any questions or concerns regarding our warranty, please contact us as provided above or view our Warranty FAQs at www.deltafaucet.com.

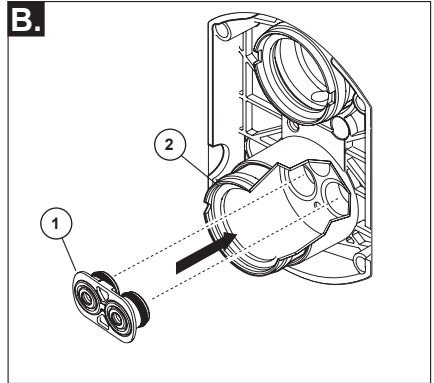
© 2023 Masco Corporation of Indiana

1

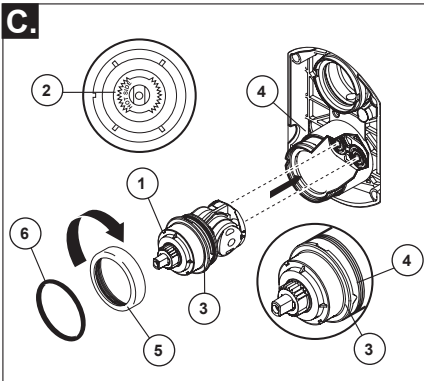
Cartridge Installation



Turn off water supplies. Remove bonnet nuts (1) and test caps (2) from the rough-in body (3). Place a bucket or small container over the front of the valve body and slowly open the water supplies to flush any debris from the supply lines before installing the cartridge. Turn the water supplies back off.

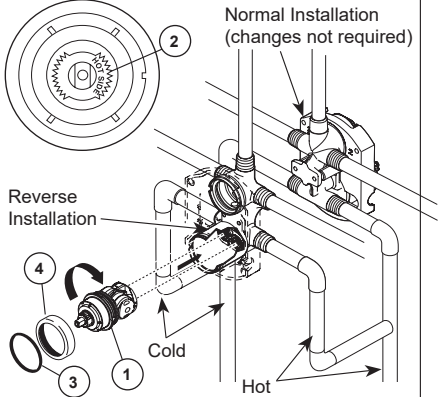


Insert adapter assembly (1) into rough-in body (2). Make sure the adapter assembly is correctly positioned and is pressed all the way down inside rough-in body.



Rotate cartridge (1) so the words "HOT SIDE" (2) appear on the left. Insert cartridge assembly into rough-in body. Make sure the key (3) on the valve cartridge is fully engaged with the slot in the brass body (4). Insert bonnet nut (5) over the cartridge and thread onto the body. Hand tighten securely, slide o-ring (6) over bonnet and cartridge. A light coating of plumbers grease applied to o-rings may aid in assembly.

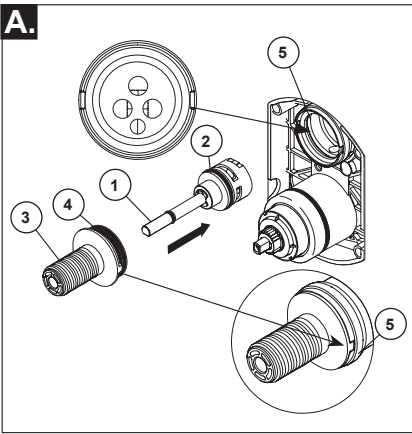
Back to back Installation



For the exceptions of back to back or reverse installations (hot on right and cold on left) only: Rotate valve cartridge (1) so "HOT SIDE" (2) appears on the right. Apply silicone lube to the three o-rings shown above to make the cartridge easier to install and remove from the rough-in body. Install the cartridge making sure that the keys are fully engaged with the slot in the rough-in body (see step C). Slide o-ring (3) and bonnet nut (4) over the cartridge and thread onto the rough-in body. Hand tighten securely.

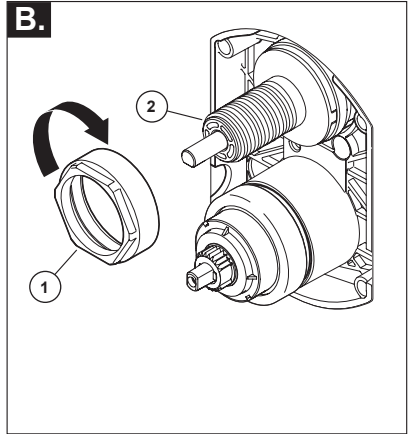
2

Diverter Cartridge Installation



FOR DIVERTER CARTRIDGE INSTALLATION:

Apply silicone lube to the o-ring (2) to make the diverter sleeve (3) easier to install diverter cartridge. A light coating of plumbers grease applied to o-rings (4) may aid in assembly. Install diverter cartridge (1) assuring that the locating pin on the bottom of the cartridge aligns with mating hole in rough-in body. Slide diverter sleeve (3) over cartridge stem aligning tabs on the diverter sleeve with slots in rough-in body (5).

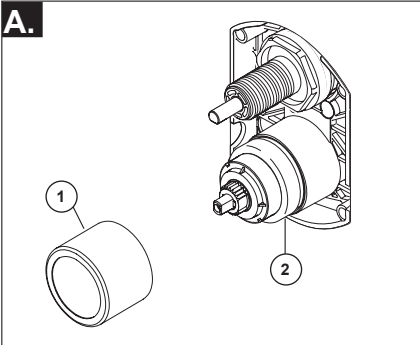


For Bonnet Installation

Slide bonnet nut (1) over diverter sleeve (2) and thread into rough-in body. Hand tighten securely.

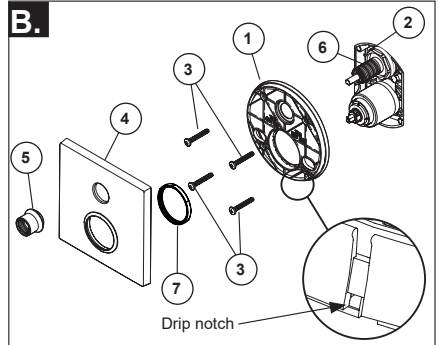
3

Trim Installation



Trim Sleeve Installation

Slide trim sleeve (1) over the bonnet (2), cartridge and rough-in body. Ensure sleeve is properly positioned over the front of cartridge.



Escutcheon Installation

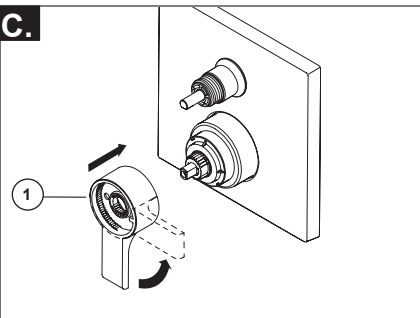
For finished wall thickness up to 1 1/8". Secure the backplate (1) to the rough-in body (2) using 4 screws (3) provided.

Note: Be sure backplate is oriented front side forward and markings are visible.

Slide escutcheon (4) over diverter cartridge, thread trim nut (5) onto diverter sleeve (6).

Note: For thick wall installation, visit delta faucet website, check "parts & accessories diagram" of the models you bought, order the appropriate thick wall installation kit RP to support finished wall thickness up to 2 1/8.

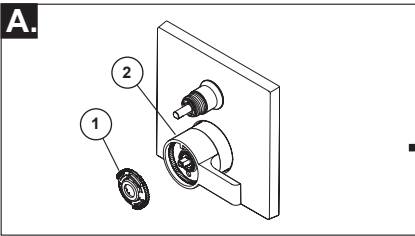
On rough or uneven surfaces it is necessary to apply caulk around the backplate (1) to supplement the seal. Do not caulk the drip notch in the bottom of the backplate (1). Do not caulk the escutcheon (4).



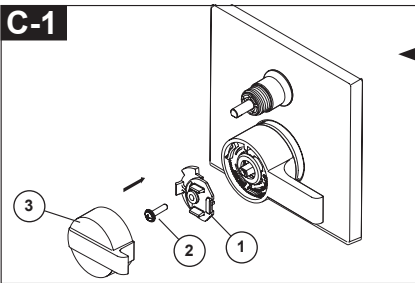
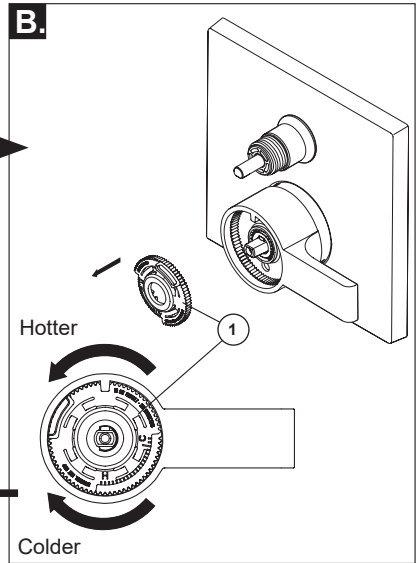
Install volume control handle (1) with lever pointing down, then turn to the on position. **DO NOT SECURE WITH SCREW.**

4

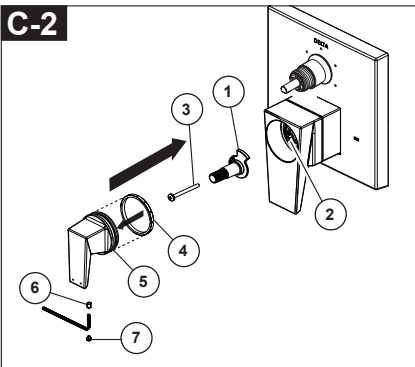
Installation and Adjustment of the Rotational Limit Stop



Place the rotational limit stop (1) in volume handle (2) and rotate to the mixed position (if required). **DO NOT SECURE WITH SCREW.** Turn on water supplies; let the water run until both hot and cold water is as hot/cold as possible. Place thermometer in a plastic tumbler, and hold the tumbler in the water stream. Record the temperature reading.



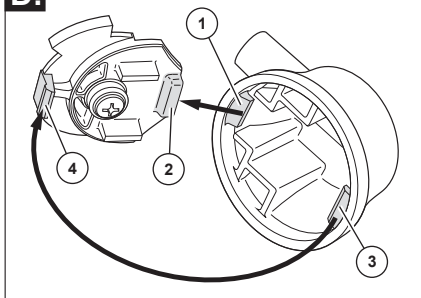
Secure temperature control knob (1) with screw (2). See next step (D) for securing temperature control cover (3).



Install adapter (1) over valve stem (2) and secure it with screw (3). Install washer (4) onto handle (5), slide handle onto adapter and secure it with set screw (6), then cover set screw with handle button (7).

If the water temperature is above 120°F, remove and rotate the limit stop (1) clockwise one tooth for every 4°F - 6°F (approximate) change in temperature. If water temperature is cooler than desired, rotate the limit stop counterclockwise. **IMPORTANT:** The first position of the Rotational Limit Stop (the Limiter) is the position that restricts the rotation of the stem the most and is at the maximum clockwise setting. According to industry standards, the maximum allowable temperature of the water exiting from the valve is 120°F. This temperature may vary in your local area. The Rotational Limit Stop may need to be readjusted if the inlet water temperature changes. For instance, during the winter, the cold water temperature is colder than it is during the summer which could result in varying outlet temperatures. Typical temperature for a comfortable bath or shower is between 90°-110° F.

D.



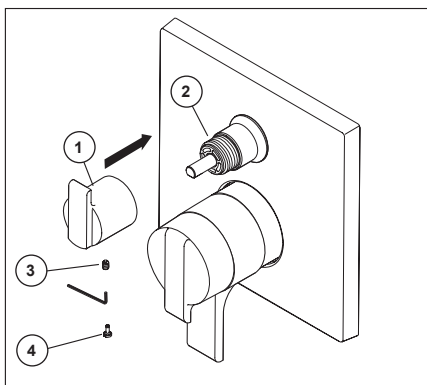
Snap temperature control cover over temperature control knob by first aligning smaller tab (1) on cover with receiving slot (2) on temperature knob. Swing larger tab (3) to engage with snap feature (4). Note: If dis-assembly is required, reverse this motion, disengaging larger tab (3) from snap feature (4) first.

5

Potential scald or thermal shock injury could result due to cross flow if outlet at the shower is blocked or restricted (e.g., pause control on hand shower). Be sure to point hand shower away from you when re-starting flow or install inlet check valves on both supply lines to prevent possible injury.

6

Diverter handle Installation

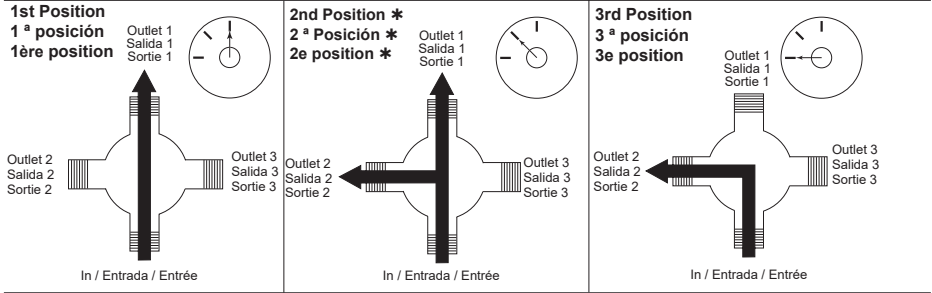


Diverter Handle Installation

Slide diverter handle (1) onto trim sleeve (2). Using a allen wrench, insert set screw (3) into handle (1). Applying pressure, insert set screw cover (4), if included, until properly seated.

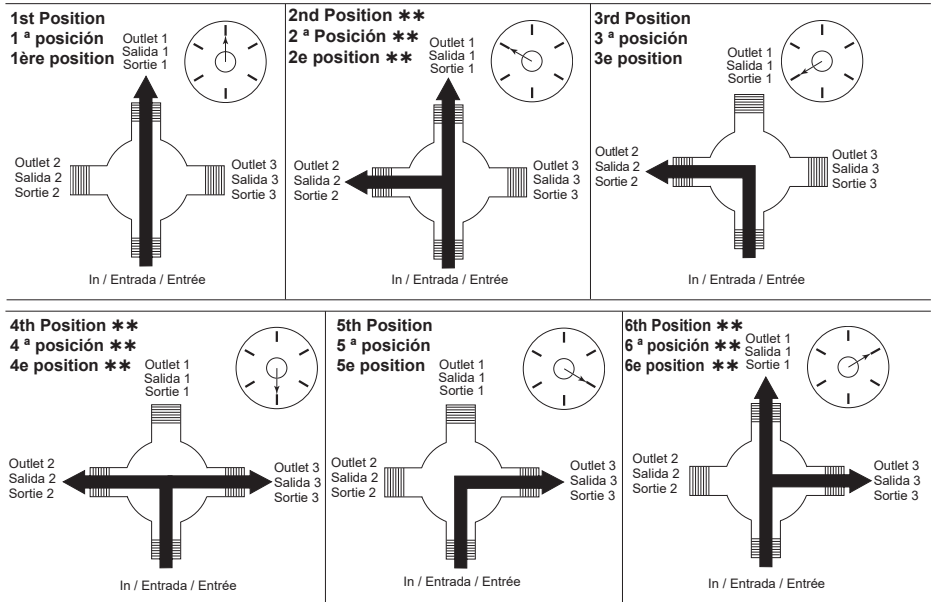
Diverter Handle Reference Sheet

Water Flow For 3 Function Diverter / Flujo de agua para Desviadores de 3 posiciones / Écoulement de l'eau pour les inverseurs à 3 positions



- * Shared positions do not exist in non-shared cartridges.
- * Los ajustes o posiciones compartidas no existen en los cartuchos no-compartidos.
- * Comme leur nom l'indique, les cartouches sans position partagée ne comportent aucune position partagée.

Water Flow For 6 Function Diverter / Flujo de agua para Desviadores de 6 posiciones / Écoulement de l'eau pour les inverseurs à 6 positions



- ** Shared positions do not exist in non-shared cartridges.
- ** Los ajustes o posiciones compartidas no existen en los cartuchos no-compartidos.
- ** Comme leur nom l'indique, les cartouches sans position partagée ne comportent aucune position partagée.

Clean and Care

Care should be given to the cleaning of this product. Although its finish is extremely durable, it can be damaged by harsh abrasives or polish. To clean, simply wipe gently with a damp cloth and blot dry with a soft towel.

Maintenance

Faucet leaks from shower outlet:

SHUT OFF WATER SUPPLIES.

Replace valve cartridge

RP46463

See Helpful Hints 1, 2 & 3.

Helpful Hints:

1. Before removing valve cartridge assembly for any maintenance, be sure to note the position of the rotational limit stop on the cap. The valve cartridge assembly must always be put back in the same position. **BE SAFE!** After you have finished the installation, turn on valve to make sure **COLD WATER FLOWS FIRST**.

2. To remove valve cartridge from body, shut off water supplies and remove handle and bonnet nut. Do not pry the valve cartridge out of the body with a screwdriver. Place handle on stem and rotate counterclockwise approximately 1/4 turn after the stop has been contacted. Lift valve cartridge out of body.

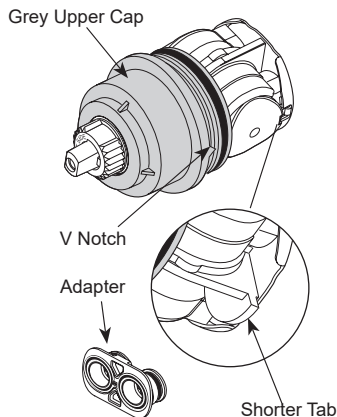
Remove seats and springs and replace.

Place the largest diameter of the spring into the seat pocket first and then press the tapered end of the seal over the spring. Reassemble valve cartridge and replace in body following instructions given in 1 above.

3. If the water in your area has lime, rust, sand or other contaminants in it, your pressure balance valve will require periodic inspection. The frequency of the inspection will depend on the amount of contaminants in the water. To inspect valve cartridge remove it and follow the steps in note 1 above. Turn the valve to the full mix position and shake the cartridge vigorously. If there is a rattling sound, the unit is functional and can be reinstalled following instructions given in note 1 above. If there is no rattle, replace the housing assembly with the proper RP.

Cartridge Summary Reference Sheet

T27



**Order RP46463 to
Replace Cartridge.**



see what Delta can do™

107532

Instrucciones para la instalación del Accesorio de la Válvul MultiChoice® con desviador

Manual para propietarios

T27 Modelos

Escriba el número del modelo aquí.

Puede necesitar

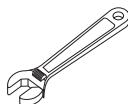
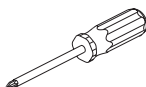


Tabla de contenido:

Garantía	Página 2
Instrucciones de instalación	Páginas 3 - 7
Limpieza y cuidado	Página 9
Mantenimiento	Página 9
Hoja de referencia para el Cartucho	Página 9

Para obtener piezas de repuesto adicionales, visite www.deltafaucet.com/service-parts

ESTA VALVULA cumple o excede las siguientes normas: ASME A112.18.1 / CSA B125.1 y ASSE 1016 (Tipo -P- o -T-).

ADVERTENCIA: Este sistema/dispositivo debe configurarse por el instalador para asegurar una temperatura máximo segura. Cualquier cambio en el ajuste puede aumentar la temperatura de salida por encima del límite considerado seguro y puede dar lugar a quemaduras por agua caliente.

AVISO PARA EL INSTALADOR: ¡ATENCIÓN! -Como el instalador de esta válvula, es su responsabilidad de **INSTALAR y AJUSTAR** correctamente esta válvula según las instrucciones proporcionadas. Esta válvula no se ajusta automáticamente a los cambios de temperatura de entrada, por lo tanto, alguien debe hacer los ajustes necesarios al Tope del Límite Rotacional en el momento de la instalación y ajustes adicionales pueden ser necesarios debido a cambios estacionales de la temperatura del agua. **USTED DEBE** informar al propietario/usuario de este requisito siguiendo las instrucciones. Si usted o el dueño/ consumidor no está seguro de como hacer estos ajustes, **por favor consulte la página 6** y si aún tiene duda, llámenos al **1-800-345-DELTA**.

Después de la instalación y el ajuste, debe colocar su nombre, nombre de la empresa y la fecha en que ajustó la perilla de control de la temperatura a la etiqueta de

precaución proporcionada y aplique o pegue la etiqueta en la parte trasera de la puerta del armario más cercano y la etiqueta de advertencia al calentador de agua.

Deje esta hoja de instrucciones para referencia del propietario /usuario.

ADVERTENCIA: Esta válvula termostática de baño está diseñada para minimizar los efectos de los cambios de temperatura del agua de salida debido a cambios de presión y temperatura, causados habitualmente por los lavaplatos, las lavadoras, los inodoros y otros aparatos similares. Puede no ofrecer protección contra las quemaduras por agua caliente cuando hay un fallo de otros dispositivos para el control de temperatura en otras partes del sistema de plomería, si el Tope del Límite Rotacional no está configurado correctamente o si se cambia la temperatura del agua caliente después de realizar los ajustes o si el agua admisión cambia debido a los cambios estacionales.

ADVERTENCIA: No instale un dispositivo de cierre en cualquiera de las tuberías de salida de agua de esta válvula. Cuando este tipo de dispositivo cierra el flujo del agua, pueda aminorar el propósito de la válvula para balancear las presiones del agua caliente y fría.

Garantía limitada de las llaves de agua/grifos Delta® Faucet

Piezas y Acabado: Todas las piezas (excepto las piezas electrónicas y las baterías) y los acabados de las llaves de agua Delta® comprados a vendedores autorizados de Delta están garantizados para el comprador consumidor original estar libres de defectos de materiales y mano de obra durante el tiempo que el comprador consumidor original sea dueño de la casa en la que la llave de agua se instaló por primera vez. Para compradores comerciales, (a) el período de garantía es de diez (10) años para aplicaciones residenciales multifamiliares y (b) cinco (5) años para todas las demás aplicaciones comerciales, en cada caso a partir de la fecha en que el comprador original o su representante autorizado (contratista de instalación, etc.) recibió el producto. A los efectos de esta garantía, el término "aplicación residencial multifamiliar" se refiere a la compra de la llave de agua a un vendedor autorizado de Delta por parte de un comprador que es propietario pero no vive en la vivienda residencial en la que se instaló inicialmente la llave de agua, como en una unidad individual alquilada o arrendada o en una vivienda unifamiliar de varias unidades (dúplex o casa adosada), o en un condominio, edificio de apartamentos o centro de vivienda comunitaria. Las siguientes instalaciones no se consideran aplicaciones residenciales multifamiliares, están excluidas de la garantía de 10 años y están sujetas a la garantía de 5 años: instalaciones industriales, institucionales u otras instalaciones comerciales, como dormitorios, instalaciones de hospitalidad (hotel, motel u ubicación de estadía prolongada), aeropuerto, centro educativo, centro de atención médica a corto o largo plazo (hospital, centro de rehabilitación, enfermería, unidad de vivienda asistida o de atención por etapas), espacio público o área común.

Piezas y acabados para llaves de agua recertificadas Delta® Recertified: Delta Faucet Company ofrece a la venta en línea llaves de agua/grifos recertificados Delta®. Los grifos Recertificados de Delta® solo incluyen llaves de agua que han sido certificadas como tales por Delta Faucet Company. Todas las piezas (excepto las piezas electrónicas y las pilas) y los acabados de estas llaves Recertificadas de Delta® están garantizados al comprador consumidor original estar libres de defectos de materiales y de mano de obra durante diez (10) años a partir de la fecha en que el comprador original o su representante autorizado (contratista de instalación, etc.) recibió el producto. Para compradores comerciales, el período de garantía es de un (1) año a partir de la fecha en que el comprador original o su representante autorizado (contratista de instalación, etc.) recibió el producto.

Partes electrónicas: Se garantiza al comprador consumidor original que las piezas electrónicas (que no sean pilas), si las hubiera, de las llaves de agua Delta® compradas en deltafaucet.com o a vendedores autorizados de Delta, estar libres de defectos de materiales y de mano de obra durante cinco (5) años a partir de la fecha en que el comprador original o su representante autorizado (contratista de instalación, etc.) recibió el producto o para compradores comerciales, durante un (1) año a partir de la fecha en que el comprador original o su representante autorizado (contratista de instalación, etc.) recibió el producto.

No se proporciona garantía en las pilas.

Lo que haremos: Delta Faucet Company reparará o reemplazará, sin cargo, durante el período de garantía aplicable (como se describe anteriormente), cualquier pieza o acabado que resulte defectuoso en material y/o mano de obra en condiciones normales de instalación, uso y servicio. Delta Faucet Company puede, a su exclusivo criterio, usar piezas o productos nuevos, reacondicionados o recertificados para dicha reparación o reemplazo. Si la reparación o el reemplazo no son prácticos, Delta Faucet Company puede optar por reembolsar el precio de compra a cambio de la devolución del producto. Estos son sus remedios exclusivos.

Lo que no está cubierto: Debido a que Delta Faucet Company no puede controlar la calidad de los productos Delta vendidos por vendedores no autorizados, a menos que la ley lo prohíba, esta garantía no cubre los productos Delta comprados a vendedores no autorizados.

Esta garantía no cubre los cargos de mano de obra incurridos por el comprador para reparar, reemplazar, instalar o quitar este producto. Delta Faucet Company no será responsable de ningún daño a la llave de agua/grifo que resulte del desgaste razonable, uso en exteriores, mal uso (incluido el uso del producto para una aplicación no deseada), agua helada, abuso, negligencia o instalación o mantenimiento inadecuados o realizados incorrectamente o reparación, incluido el incumplimiento de las instrucciones de cuidado y limpieza correspondientes. Delta Faucet Company recomienda utilizar un plomero profesional para toda la instalación y reparación de las llaves de agua. También le recomendamos que utilice únicamente piezas de repuesto originales de Delta®.

Lo que debe hacer para obtener el servicio de garantía o las piezas de repuesto: Se puede realizar un reclamo de garantía y obtener piezas de repuesto llamando al 1 800 345 DELTA (3358) o comunicándose con nosotros por correo o en línea de la siguiente manera (incluya su número de modelo, fecha de compra original y documentación con la fecha cuando el comprador original o su representante autorizado (contratista de instalación, etc.) recibió el producto):

En los Estados Unidos y México:

Delta Faucet Company
55 E. 111th Street
Indianapolis, IN 46280
Attention: Warranty Service
www.deltafaucet.com/service-parts/contact-us

En Canadá:

Masco Canada Limited, Plumbing Group
Technical Service Centre
350 South Edgeware Road
St. Thomas, Ontario, Canada N5P 4L1

Attention: Customer Service

<http://www.deltafaucet.ca/customersupport/assistance.html>

El comprobante de compra (recibo de venta original que muestre la fecha de compra) y la documentación con la fecha cuando el comprador original o su representante autorizado (contratista de instalación, etc.) recibió el producto deben estar disponibles para Delta Faucet Company para todos reclamos de garantía a menos que el comprador haya registrado el producto con Delta Faucet Company o el producto sea un producto Delta® Recertified comprado en deltafaucet.com. Esta garantía se aplica solo a las llaves de agua Delta® fabricadas después del 1 de enero de 2019 e instaladas en los Estados Unidos de América, Canadá y México.

Limitación de la duración de las garantías implícitas: Tenga en cuenta que algunos estados/provincias (incluido Quebec) no permiten limitaciones sobre la duración de una garantía implícita, por lo que es posible que las siguientes limitaciones no se apliquen en su caso. EN LA MEDIDA MÁXIMA PERMITIDA POR LA LEY APLICABLE, CUALQUIER GARANTÍA IMPLÍCITA, INCLUIDAS LAS GARANTÍAS IMPLÍCITAS DE COMERCIABILIDAD E IDONEIDAD PARA UN FIN DETERMINADO, SE LIMITA AL PERÍODO LEGAL O A LA DURACIÓN DE ESTA GARANTÍA, EL QUE SEA MÁS BREVE.

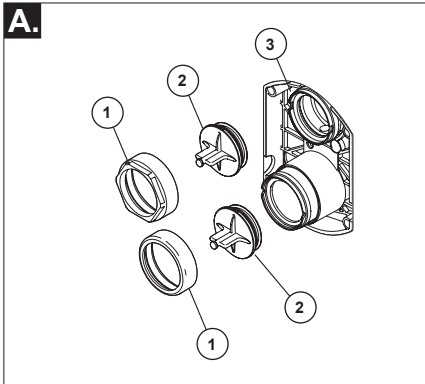
Limitación de Daños Especiales, Incidentales o Consecuentes: Tenga en cuenta que algunos estados/provincias (incluido Quebec) no permiten la exclusión o limitación de daños especiales, incidentales o consecuentes, por lo que es posible que las siguientes limitaciones y exclusiones no se apliquen en su caso. EN LA MEDIDA MÁXIMA PERMITIDA POR LA LEY APLICABLE, ESTA GARANTÍA NO CUBRE, Y DELTA FAUCET COMPANY NO SERÁ RESPONSABLE DE NINGÚN DAÑO ESPECIAL, INCIDENTAL O CONSECUENTE (INCLUIDOS LOS CARGOS DE MANO DE OBRA PARA REPARAR, REEMPLAZAR, INSTALAR O QUITAR ESTE PRODUCTO), YA SEA QUE SURJA FUERA DEL INCUMPLIMIENTO DE CUALQUIER GARANTÍA EXPRESA O IMPLÍCITA, INCUMPLIMIENTO DE CONTRATO, AGRAVIO U OTRO. DELTA FAUCET COMPANY NO SERÁ RESPONSABLE DE CUALQUIER DAÑO A LA LLAVE DE AGUA O RESULTANTE DEL DESGASTE Y DESGASTE RAZONABLE, USO AL AIRE LIBRE, USO INCORRECTO (INCLUYENDO EL USO DEL PRODUCTO PARA UNA APLICACIÓN NO DESEADA), AGUA CONGELADA, ABUSO, DESCUIDO O INSTALACIÓN O MANTENIMIENTO IMPROPIOS O REALIZADOS INCORRECTAMENTE O REPARACIÓN, INCLUYENDO EL INCUMPLIMIENTO DE LAS INSTRUCCIONES DE INSTALACIÓN, CUIDADO Y LIMPIEZA CORRESPONDIENTES. Aviso para los residentes del Estado de Nueva Jersey: Las disposiciones de esta garantía, incluidas sus limitaciones, se aplicarán en la medida máxima permitida por las leyes del Estado de Nueva Jersey.

Derechos adicionales: Esta garantía le otorga derechos legales específicos, y es posible que también tenga otros derechos que varían de un estado/provincia a otro estado/provincia. Esta es la garantía escrita exclusiva de Delta Faucet Company, y la garantía no es transferible.

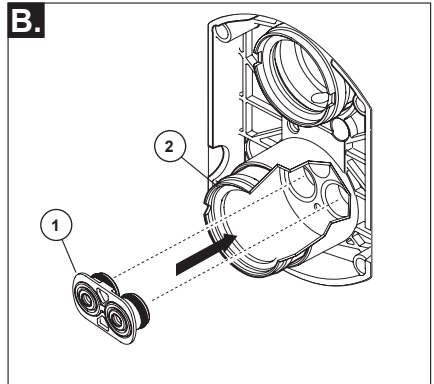
Si tiene alguna pregunta o inquietud con respecto a nuestra garantía, comuníquese con nosotros como se indicó anteriormente o visite en nuestro sitio web Preguntas Frecuentes FAQ en www.deltafaucet.com

© 2023 Masco Corporation de l'Indiana

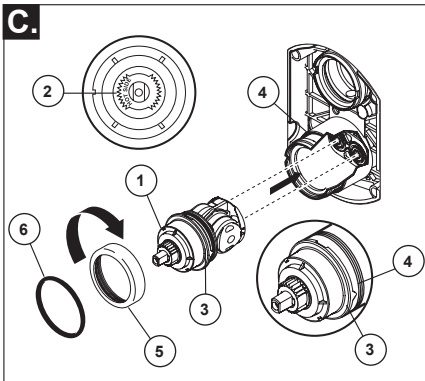
1 Instalación del cartucho



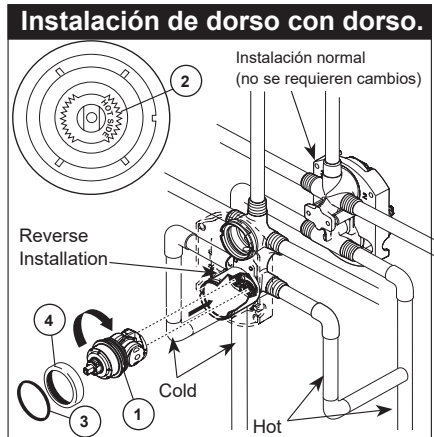
Cierre los suministros de agua. Quite la tuercas tapas (1) y las tapas de prueba (2) del cuerpo de la tubería preliminar detrás de la pared (3). Coloque una cubeta o recipiente pequeño sobre el frente del cuerpo de la válvula y abra lentamente los suministros de agua para eliminar cualquier residuo de las líneas de suministro antes de instalar el cartucho. Cierre otra vez el agua de suministro.



Introduzca el ensamble del adaptador (1) en el cuerpo de la tubería preliminar interna (2). Asegúrese de que el ensamble del adaptador está colocado correctamente y está presionado hasta el fondo dentro del cuerpo preliminar.

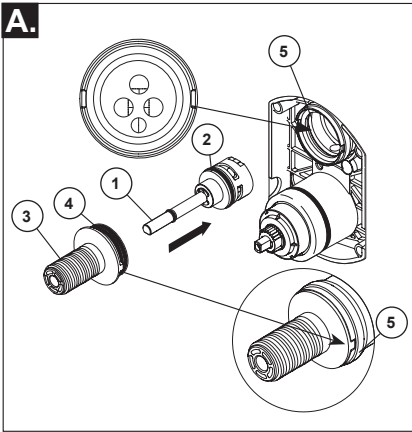


Gire el cartucho de la válvula (1) de forma que las palabras "HOT SIDE" estén en el lado izquierdo. Inserte el cartucho en el cuerpo de la tubería preliminar. Asegúrese de que el dentado en el cuerpo está totalmente encajado en la muesca en el cuerpo de bronce (4). Introduzca la tuerca tapa (5) en el cartucho y enrosque en el cuerpo. Apriete bien, a mano y deslice la junta tórica (6) en el casquete y el cartucho. La aplicación de una ligera capa de grasa de plomeros en las juntas tóricas puede facilitar el montaje.



Solo para las excepciones de dorso con dorso o instalaciones inversas (caliente en la derecha y fría en la izquierda): Gire el cartucho de la válvula (1) de forma que "HOT SIDE" aparezca en la derecha. Aplique lubricante de silicona en las tres juntas tóricas mostradas arriba para facilitar la instalación del cartucho y quitar del cuerpo de la tubería preliminar. Instale el cartucho asegurándose de que los dentados están totalmente encajados en la ranura en el cuerpo de la tubería preliminar (véase el paso C). Deslice la junta tórica (3) y la tuerca tapa (4) sobre el cartucho y enrosque en el cuerpo de la tubería preliminar. Apriete con la mano de forma segura.

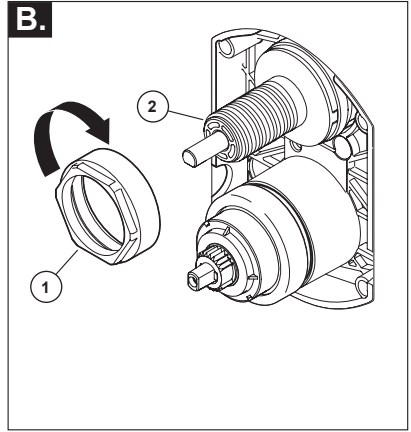
2 Instalación del cartucho de desvío



PARA LA INSTALACIÓN DEL CARTUCHO DE DESVÍO:

Aplique lubricante de silicona a la junta tórica (2) para facilitar la instalación del cartucho desviador con el casquillo desviador (3). La aplicación de una ligera capa de grasa de plomeros a las juntas tóricas (4) puede facilitar el montaje. Gire el cartucho desviador (1) asegurando que el pasador de posicionamiento que está en la parte inferior del cartucho se alinee con el agujero correspondiente en el cuerpo de la tubería preliminar.

Deslice el casquillo desviador (3) sobre la espiga del cartucho alineando las lengüetas en el casquillo desviador con ranuras en el cuerpo de la tubería preliminar (5).

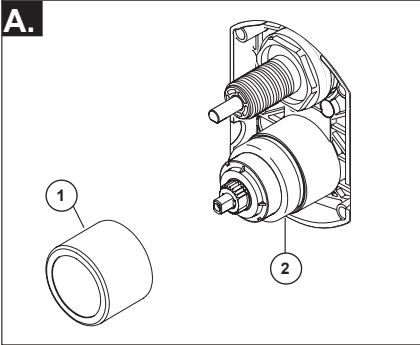


Para la instalación del casquete

Deslice la tuerca tapa (1) sobre el casquillo desviador (2) y enrosque en el cuerpo de la tubería preliminar. Apriete a mano de forma segura.

3

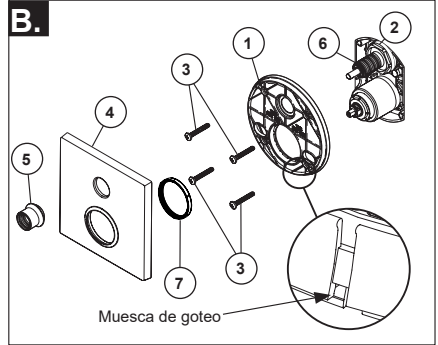
Instalación del accesorio



Instalación del casquillo del accesorio

Deslice el casquillo del accesorio (1) sobre el casquete (2), el cartucho y el cuerpo de la tubería preliminar.

Asegúrese que el casquillo está correctamente colocado sobre el frente del cartucho.



Instalación del chapetón

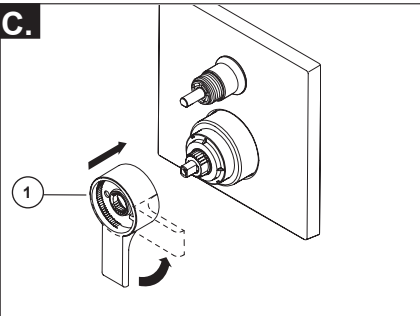
Para paredes acabadas de un grosor hasta 1 1/8". Fije la placa posterior (1) al cuerpo de la unidad de las tuberías preliminares (2) usando los 4 tornillos (3) proporcionados.

Nota: asegúrese que la placa trasera está colocada con el frente hacia adelante y con las marcas visibles.

Deslice el chapetón o chapa de cubierta (4) sobre el cartucho desviador, enrosque la tuerca del accesorio (5) proporcionada en el casquillo del desviador.

Nota: Para la instalación en pared gruesa, visite el sitio web de delta faucet, verifique "diagrama de piezas y accesorios" de los modelos que ha comprado, pida el juego de instalación en pared de espesor adecuado RP para apoyar un espesor de pared acabada de hasta 2 1/8".

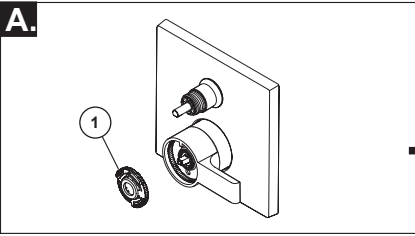
En superficies rugosas o desiguales, es necesario aplicar masilla alrededor de la placa posterior (1) para complementar el sello. No calafatee el chapetón (4).



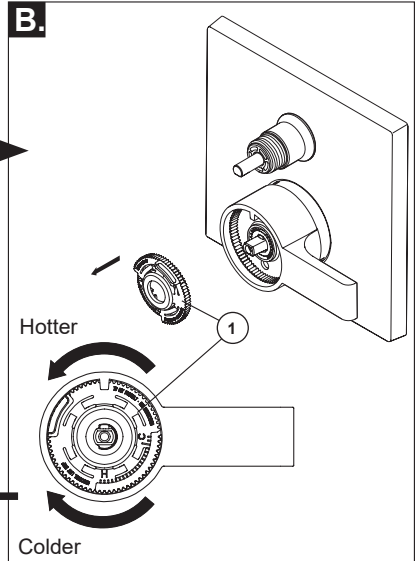
Instale la manija para el control de; volumen (1) con la palanca hacia abajo, luego gire a la posición abierta. **NO FIJE CON EL TORNILLO.**

4

Instalación y ajuste del tope del límite rotacional



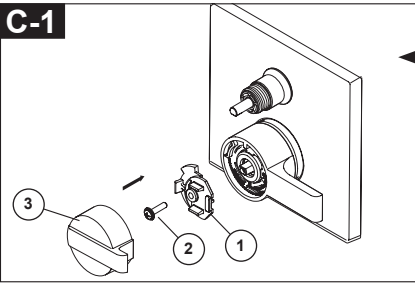
Coloque la perilla para el control de temperatura (1) en la palanca de volumen y gire a la posición mixta (si es necesario). **NO FIJE CON EL TORNILLO.** Abra los suministros de agua; deje que el agua fluya hasta que esté lo más caliente/fría posible. Coloque un termómetro en un vaso plástico, y sostenga el vaso bajo el chorro de agua. Registre la lectura de la temperatura.



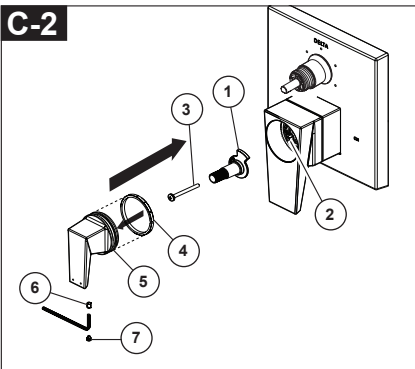
Si la temperatura del agua está por encima de 120° F, retire y gire el tope (1) un diente hacia la derecha por cada 4° F - 6° F (aproximadamente) cambio en la temperatura. Si la temperatura del agua es más fría que lo deseada, gire el tope hacia la izquierda.

IMPORTANTE: La primera posición del Tope del Límite Rotacional (el limitador) es la posición que más restringe la rotación e la espiga y está en el ajuste máximo hacia la derecha. De acuerdo con los estándares de la industria, la temperatura máxima permisible del agua que sale de la válvula es 120° F. Esta temperatura puede variar en su área local.

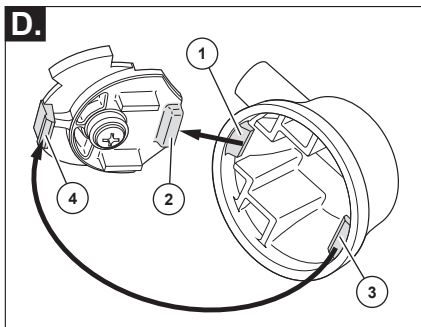
El Tope del Límite Rotacional puede requerir reajuste si cambia la temperatura del agua de entrada. Por ejemplo, durante el invierno, la temperatura del agua fría es más fría de lo que es durante el verano que podría resultar en una variación de temperaturas de salida. La temperatura típica para un baño o una ducha confortable es entre 90o-110o F.



Fije la perilla para el control de la temperatura (1) con el tornillo (2). Para fijar la tapa del control de temperatura (3), vea el próximo paso (D).



Instale el adaptador (1) sobre la espiga de la válvula (2) y fijelo con el tornillo (3). Instale la arandela (4) en el mango (5), deslice el mango en el adaptador y fijelo con el tornillo de fijación (6), luego cubra el tornillo de fijación con el botón del mango (7).



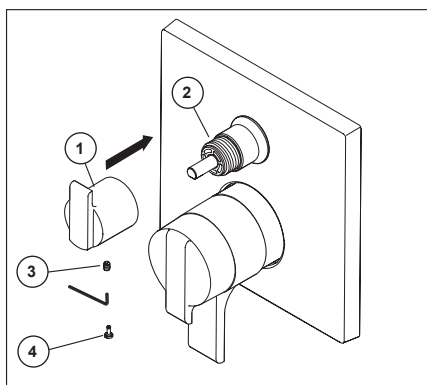
Coloque a presión la tapa del control de temperatura sobre el pomo del control de temperatura alineando primero la lengüeta más pequeña (1) con la muesca para encajar en la cubierta (2) ubicada en el pomo de temperatura. Gire la lengüeta más grande (3) para que encaje con el mecanismo de presión (4). Nota: Si requiere desarmar, repita estos pasos en reverso, desenchajando primero la lengüeta más grande (3) del mecanismo de presión (4).

5

Existe la posibilidad de lesión por escaldadura o de choque térmico resultante de un flujo cruzado en el caso que la salida de la regadera/ducha está bloqueada o restringida (por ejemplo, pause el control de la cabeza de la regadera/ducha). Asegúrese de apuntar la regadera/ducha alejado de usted cuando vuelva a iniciar el flujo o instale las válvulas de retención de la entrada en ambas líneas de suministro para evitar posibles lesiones.

6

Instalación del desviador de la manija

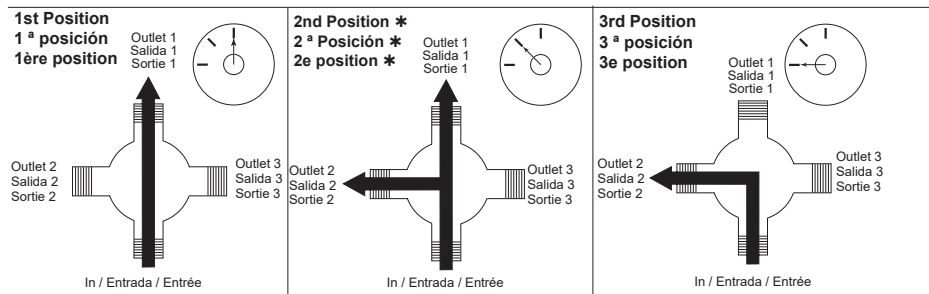


Instalación del mango del desviador

Deslice el mango del desviador (1) en el casquillo de ajuste (2). Utilice una llave Allen para insertar el tornillo de fijación (3) en el mango (1). Aplique una presión para insertar la cubierta del tornillo de fijación (4) si está incluida hasta que se asiente adecuadamente.

Hoja de referencia para la manija desviadora

Water Flow For 3 Function Diverter / Flujo de agua para Desviadores de 3 posiciones / Écoulement de l'eau pour les inverseurs à 3 positions

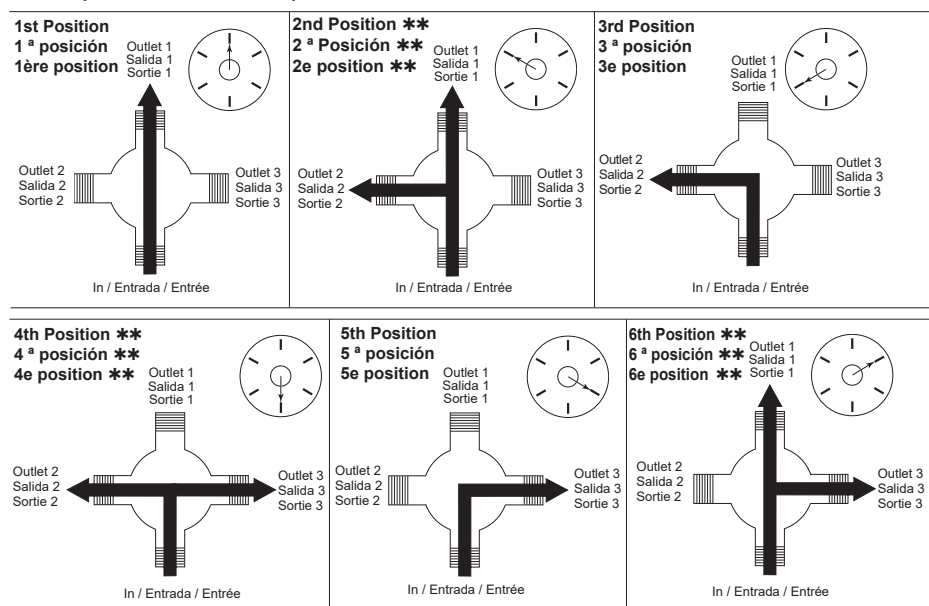


* Shared positions do not exist in non-shared cartridges.

* Los ajustes o posiciones compartidas no existen en los cartuchos no-compartidos.

* Comme leur nom l'indique, les cartouches sans position partagée ne comportent aucune position partagée.

Water Flow For 6 Function Diverter / Flujo de agua para Desviadores de 6 posiciones / Écoulement de l'eau pour les inverseurs à 6 positions



** Shared positions do not exist in non-shared cartridges.

** Los ajustes o posiciones compartidas no existen en los cartuchos no-compartidos.

** Comme leur nom l'indique, les cartouches sans position partagée ne comportent aucune position partagée.

Limpieza y Cuidado

Se debe tener cuidado con la limpieza de este producto. Aunque su acabado es extremadamente resistente, puede ser dañado por abrasivos o pulimentos ásperos. Para limpiar, simplemente frote con un paño húmedo y seque con una toalla suave.

Mantenimiento

Si hay filtración de agua desde la llave de agua/grifo de salida de ducha:

CIERRE LOS SUMINISTROS DE AGUA. Reemplace la válvula de cartucho RP46463
Vea Consejos útiles 1, 2 y 3

Sugerencias útiles:

1. Antes de retirar el ensamble del cartucho de la válvula para cualquier tarea de mantenimiento, asegúrese de anotar la posición del tope de rotación en la tapa. El ensamble del cartucho de la válvula siempre debe ser puesto de nuevo en la misma posición. ¡CUIDESE! Después de que haya terminado la instalación, abra la válvula para asegurarse de que el agua FLUYE FRÍA PRIMERO.

2. Para extraer el cartucho de la válvula del cuerpo, cierre el suministro de agua y retire la manija y la tuerca tapa. No se debe quitar el cartucho de la válvula del cuerpo con un destornillador. Coloque la manija en la espiga y gire hacia la izquierda aproximadamente 1/4 de vuelta después que el tope tenga contacto. Levante el cartucho de la válvula del cuerpo.

Retire los asientos y resortes y reemplácelos.

Primero, coloque el diámetro mayor del resorte en el bolsillo del asiento y luego presione el extremo cónico de la junta sobre el resorte. Vuelva a ensamblar el cartucho de la válvula y colóquelo de nuevo en el cuerpo, siguiendo las instrucciones dadas en el punto 1.

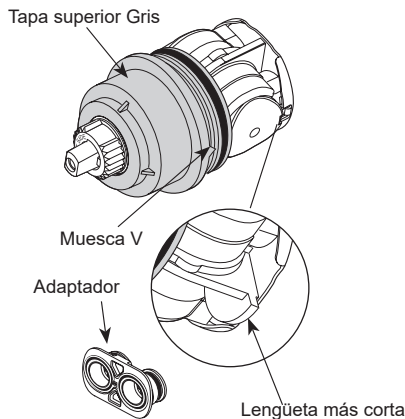
3. Si el agua en su área contiene cal, óxido, arena u otros contaminantes, su válvula de equilibrio de presión requerirá una inspección periódica.

La frecuencia de la inspección dependerá de la cantidad de contaminantes en el agua. Para inspeccionar el cartucho de la válvula y quitarla y siga los pasos indicados en la nota 1 anterior. Gire la válvula a la posición de mezcla completa y agite el cartucho con fuerza.

Si hay un sonido de traqueteo, la unidad es funcional y se puede volver a instalar siguiendo las instrucciones dadas en la nota 1 anterior. Si no hay traqueteo, reemplace el conjunto de la cubierta con la pieza de repuesto/RP adecuada.

Hoja de resumen de referencia para el cartucho

T27



Ordene RP46463 para Reemplazar cartucho.



see what Delta can do™

107532

Instructions d'installation Soupape MultiChoice® avec inverseur

Manuel d'utilisation

T27 Modèles

Inscrivez le numéro du modèle acheté ici.

Ce dont vous pouvez avoir besoin

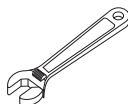
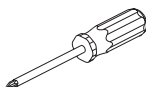


Table des matières:

Garanties	Page 2
Instructions d'installation	Pages 3 - 7
Nettoyage et entretien	Page 9
Maintenance	Page 9
Fiche de référence sommaire de la cartouche	Page 9

**Pour obtenir de l'information sur d'autres pièces de rechange,
visitez : www.deltafaucet.com/service-parts**

CETTE SOUPAPE RESPECTE OU SURPASSE LES NORMES SUIVANTES : ASME A112.18.1/ CSA B125.1 et ASSE 1016 (Type -P- ou -T-).

ATTENTION: Ce système ou cet appareil doit être réglé par l'installateur pour que sa température maximale soit sans danger. Tout changement du réglage peut entraîner une hausse de température au delà de la limite considérée sécuritaire et occasionner l'ébullition.

AVIS À L'INSTALLATEUR: ATTENTION! - En qualité d'installateur de cette soupape, vous avez la responsabilité de L'INSTALLER et de la RÉGLER correctement selon les instructions fournies. Cette soupape ne s'adapte pas automatiquement aux fluctuations de la température de l'eau d'alimentation. Par conséquent, il faut régler la butée de température maximale au moment de l'installation et il peut être nécessaire de faire de nouveaux réglages par la suite en raison des fluctuations saisonnières de la température de l'eau. **VOUS DEVEZ informer le propriétaire ou l'utilisateur de cette exigence.** En cas de doute quant à la marche à suivre pour faire ces réglages, **veuillez consulter la page 6.** Si vous avez encore des doutes, veuillez appeler au 1-800-345-DELTA.

Après avoir terminé l'installation et le réglage, vous devez inscrire, sur l'étiquette de mise en garde fournie, votre nom, le nom de votre entreprise et la date à laquelle vous avez réglé la butée de température maximale, puis fixer l'étiquette à l'endos de la porte de la coiffeuse. Vous devez également fixer l'étiquette d'avertissement au chauffe-eau.

Veuillez laisser ce feuillet d'instructions au propriétaire ou à l'utilisateur pour qu'il puisse le consulter au besoin.

MISE EN GARDE – Ce robinet thermostatique à équilibrage de pression pour baignoire est conçu pour limiter les effets des fluctuations de température de l'eau causées par les variations de la pression d'alimentation attribuables au fonctionnement d'un lave-vaisselle, d'une machine à laver, d'un cabinet d'aisances ou d'un autre appareil qui consomme de l'eau. Il peut ne pas protéger l'utilisateur contre l'échaudage en cas de défectuosité d'un autre dispositif de régulation de la température, de réglage erroné de la butée de température maximale, de modification de la température de l'eau chaude après le réglage de la butée de température maximale ou de fluctuation saisonnière de la température de l'eau d'alimentation.

MISE EN GARDE – N'installez pas de dispositif d'arrêt sur une sortie quelconque de cette soupape. En interrompant l'écoulement de l'eau, ce dispositif peut empêcher la soupape d'équilibrer les pressions d'eau chaude et d'eau froide.

Garantie limitée des robinets Delta®

Pièces et finis: Tous les pièces (autres que les composants électroniques et les piles) et les finis de ce robinet Delta® achetés chez des vendeurs Delta autorisés sont protégés contre les défauts de matériau et les vices de fabrication par une garantie qui est consentie au premier acheteur au détail et qui demeure valide tant que celui-ci demeure propriétaire de la maison dans laquelle le robinet a été installé. En ce qui concerne les acheteurs commerciaux, la période de garantie est a) de dix (10) ans pour les applications résidentielles multifamiliales et b) de cinq (5) ans pour toutes les autres applications commerciales, à compter, dans chaque cas, de la date de réception du produit par le premier acheteur ou son représentant autorisé (installateur, etc.). Dans le libellé de la présente garantie, on entend par « application résidentielle multifamiliale », un robinet acheté chez un vendeur Delta autorisé par un acheteur qui est propriétaire d'un logement résidentiel sans l'habiter et installé pour la première fois dans cet immeuble. Il peut s'agir d'un immeuble individuel comportant un ou plus d'un logement loué à court terme ou à long terme (duplex ou groupe de maisons en rangée), d'un condominium, d'un immeuble d'habitation ou d'un centre d'intégration communautaire. Les applications dérivées ci-après ne sont pas considérées comme des applications multifamiliales et elles sont couvertes par la garantie de 5 ans plutôt que par la garantie de 10 ans. Ce sont les suivantes : robinets installés dans un bâtiment industriel, un bâtiment institutionnel et un autre immeuble commercial, notamment une résidence d'étudiants, un lieu d'hébergement (hôtel, motel ou lieu de séjour prolongé), un aéroport, un établissement d'enseignement, un établissement de soins de santé de courte ou de longue durée (hôpital, centre de réadaptation, maison de soins infirmiers), un endroit public ou un lieu commun.

Pièces et finis des robinets recertifiés Delta®: Delta Faucet Company offre en vente en ligne des robinets recertifiés Delta®. Les robinets recertifiés Delta® comprennent uniquement les robinets qui ont été certifiés à ce titre par Delta Faucet Company. Tous les pièces (autres que les pièces électroniques et les piles) et les finis de ces robinets Delta® recertifiés sont protégés contre les défauts de matériau et les vices de fabrication par une garantie qui est consentie au premier acheteur au détail et qui est d'une durée de dix (10) ans à compter de la date de réception du produit par le premier acheteur ou son représentant autorisé (installateur, etc.). En ce qui concerne les acheteurs commerciaux, la période de garantie est d'un (1) an à compter de la date de réception du produit par le premier acheteur ou son représentant autorisé (installateur, etc.).

Composants électroniques: Les composants électroniques (autres que les piles), le cas échéant, de ce robinet Delta® qui ont été achetés auprès de deltafaucet.com ou de vendeurs Delta autorisés sont protégés contre les défauts de matériau et les vices de fabrication par une garantie consentie au premier acheteur au détail qui est de cinq (5) ans à compter de la date de réception du produit par le premier acheteur ou son représentant autorisé (installateur, etc.). En ce qui concerne les acheteurs commerciaux, la période de garantie est d'un (1) an à compter de la date de réception du produit par le premier acheteur ou son représentant autorisé (installateur, etc.). Les piles ne sont pas couvertes par la garantie.

Ce que nous ferons: Delta Faucet Company réparera ou remplacera gratuitement, pendant la période de garantie applicable (décrite ci-dessus), toute pièce ou tout fini qui présentera une défectuosité de matériau et/ou un vice de fabrication pour autant que le produit ait été installé, utilisé et entretenu normalement. Delta Faucet Company peut, à sa seule discrétion, utiliser des produits neufs, remis à neuf ou recertifiés ou des pièces neuves, remises à neuf ou recertifiées pour effectuer la réparation ou le remplacement. S'il n'est pas utile de réparer ou de remplacer le produit, Delta Faucet Company pourra rembourser le prix d'achat en échange du produit retourné. Il s'agit de vos seuls recours.

Ce qui n'est pas couvert: Étant donné que Delta Faucet Company n'est pas en mesure de contrôler la qualité des produits vendus par des vendeurs non autorisés, la présente garantie ne s'applique pas aux produits Delta vendus par des vendeurs non autorisés, à moins que cette restriction ne soit interdite par la loi. La présente garantie ne couvre pas les frais de main-d'œuvre encourus par l'acheteur pour la réparation, le remplacement, l'installation ou la dépose du robinet. Delta Faucet Company se dégage de toute responsabilité à l'égard de toute détérioration du robinet résultant d'une usage raisonnable et des dommages causés par une utilisation à l'extérieur, un mauvais usage (y compris l'utilisation du produit à des fins autres que celles auxquelles il est destiné), le gel de l'eau, un usage abusif, la négligence ou l'utilisation d'une méthode d'installation, de maintenance ou de réparation incorrecte ou inadéquate, y compris les dommages résultant du non-respect des instructions de nettoyage et d'entretien applicables. Delta Faucet Company vous recommande de confier tous les travaux d'installation et de réparation à un plombier professionnel. Nous vous recommandons également d'utiliser uniquement des pièces de rechange Delta® authentiques.

Ce que vous devez faire pour vous prévaloir de la garantie ou obtenir des pièces de rechange: Vous pouvez présenter une réclamation en vertu de la garantie et obtenir des pièces de rechange en appelant au 1-800-345-DELTA (3358) ou en communiquant avec nous à l'une des adresses postales ou des adresses de courriel indiquées ci-dessous (veuillez fournir le numéro de modèle, la date de l'achat initial et la documentation attestant la date de réception du produit par le premier acheteur ou son représentant autorisé (installateur, etc.).

Aux États-Unis et au Mexique

Delta Faucet Company
55 E. 11th Street
Indianapolis, IN 46290
Attention: Warranty Service
www.deltafaucet.com/service-parts/contact-us

Au Canada:

Masco Canada Limited, Groupe plomberie
Centre de services techniques
350, chemin South Edgeware
St. Thomas (Ontario) Canada N5P 4L1
À l'attention du Service à la clientèle
<http://www.deltafaucet.ca/customersupport/assistance.html>

La preuve d'achat (original du reçu du premier acheteur montrant la date d'achat) et la documentation attestant la date de réception du produit par le premier acheteur ou son représentant autorisé (installateur, etc.) doivent être présentées à Delta Faucet Company pour toutes les demandes en vertu de la garantie, sauf si le produit a été enregistré auprès de Delta Faucet Company ou si le produit est un produit recertifié Delta® acheté auprès de deltafaucet.com. La présente garantie s'applique uniquement aux robinets Delta® fabriqués après le 1^{er} janvier 2019 et installés aux États-Unis d'Amérique, au Canada et au Mexique.

Limitation de la durée des garanties implicites: Veuillez noter qu'il est interdit, dans certains États ou certaines provinces (y compris le Québec), de limiter la durée d'une garantie implicite. Par conséquent, les limitations mentionnées ci-dessous peuvent ne pas s'appliquer à vous. DANS LA MESURE DE CE QUI EST PERMIS PAR LA LOI APPLICABLE, TOUTES LES GARANTIES IMPLICITES, Y COMPRIS LES GARANTIES IMPLICITES DE QUALITÉ MARCHANDE ET D'ADÉQUATION À UN USAGE PARTICULIER, SE LIMITENT À LA PÉRIODE FIXÉE PAR LA LOI OU À LA DURÉE DE LA PRÉSENTE GARANTIE, LA PLUS COURTE DES DEUX PÉRIODES S'APPLIQUANT.

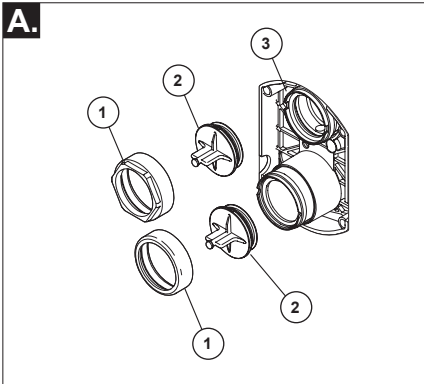
Limitation des dommages particuliers, consécutifs ou indirects: Veuillez noter qu'il est interdit, dans certains États ou certaines provinces (y compris le Québec), d'exclure ou de limiter les dommages particuliers, consécutifs ou indirects. Par conséquent, les limitations et les exclusions mentionnées ci-dessous peuvent ne pas s'appliquer à vous. DANS LA MESURE DE CE QUI EST PERMIS PAR LA LOI APPLICABLE, DELTA FAUCET COMPANY SE DÉGAGE DE TOUTE RESPONSABILITÉ À L'ÉGARD DES DOMMAGES PARTICULIERS, CONSÉCUTIFS ET INDIRECTS (Y COMPRIS LES FRAIS DE MAIN-D'ŒUVRE POUR LA RÉPARATION, LE REMPLACEMENT, L'INSTALLATION OU LA DÉPOSE DU PRODUIT), PEU IMPORTE QU'ILS DÉCOULENT D'UNE RUPTURE D'UNE GARANTIE IMPLICITE OU EXPLICITE, D'UNE RUPTURE DE CONTRAT, D'UN DÉLIT CIVIL OU D'UNE AUTRE CAUSE. DELTA FAUCET COMPANY SE DÉGAGE DE TOUTE RESPONSABILITÉ À L'ÉGARD DE TOUTE DÉTÉRIORATION DU ROBINET RÉSULTANT D'UNE USURE RAISONNABLE ET DES DOMMAGES CAUSÉS PAR UNE UTILISATION À L'EXTÉRIEUR, UN MAUVAIS USAGE (Y COMPRIS L'UTILISATION DU PRODUIT À DES FINS AUTRES QUE CELLES AUXQUELLES IL EST DESTINÉ), LE GEL DE L'EAU, UN USAGE ABUSIF, LA NÉGLIGENCE OU L'UTILISATION D'UNE MÉTHODE D'INSTALLATION, DE MAINTENANCE OU DE RÉPARATION INCORRECTE OU INADÉQUATE, Y COMPRIS LES DOMMAGES RÉSULTANT DU NON-RESPECT DES INSTRUCTIONS D'INSTALLATION, D'ENTRETIEN ET DE NETTOYAGE APPLICABLES, ET CES DOMMAGES NE SONT PAS COUVERTS PAR LA GARANTIE. Avis à l'intention des résidents de l'État du New Jersey : Les dispositions de la présente garantie, y compris ses limitations, s'appliquent dans toute la mesure permise par les lois de l'État du New Jersey.

Droits supplémentaires: La présente garantie vous procure des droits particuliers reconnus par la loi. Vous pouvez avoir d'autres droits qui varient selon l'État ou la province. La présente garantie écrite est la seule garantie offerte par Delta Faucet Company et elle n'est pas transférable.

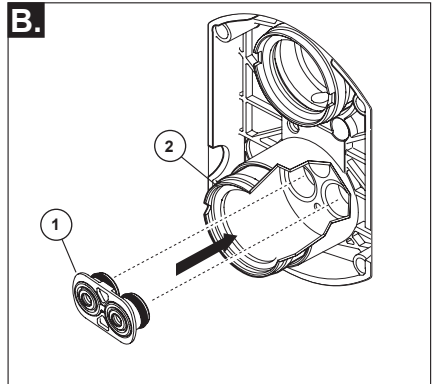
Si vous avez des questions ou des préoccupations concernant notre garantie, veuillez communiquer avec nous de la manière indiquée ci-dessus ou consulter notre FAQ sur la garantie à www.deltafaucet.com.

© 2023 Masco Société de l'Indiana

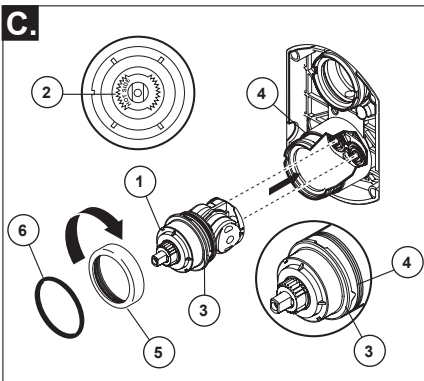
1 Installation de la cartouche



Fermez les robinets d'alimentation. Retirez le les écrous-chapeaux (1) et les capuchons d'essai (2) du corps de robinetterie brute (3). Placez un seau ou un petit contenant sur l'avant du corps de soupape et ouvrez lentement les robinets d'arrêt pour évacuer les corps étrangers de la tuyauterie avant d'installer la cartouche. Fermez de nouveau les robinets d'arrêt.

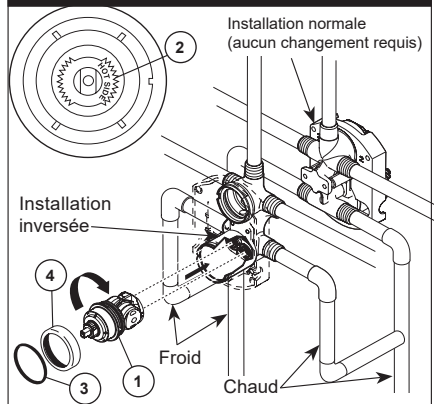


Introduisez l'adaptateur (1) dans le corps de robinetterie brute (2). Assurez-vous que l'adaptateur est positionné correctement et bien calé dans le corps de robinet brut.



Tournez la cartouche (1) de sorte que la mention « HOT SIDE » (2) se trouve du côté gauche. Introduisez la cartouche dans le corps de robinetterie brute. Assurez-vous que l'ergot (3) sur la cartouche est parfaitement engagé dans la rainure du corps en laiton (4). Insérez l'écrou-chapeau (5) sur la cartouche et vissez-le sur le corps. Serrez-le à la main solidement, glissez le joint torique (6) sur l'écrou-chapeau et la cartouche. Vous pouvez enduire les joints toriques d'un peu de graisse de plomberie pour faciliter l'assemblage.

Installation dos à dos

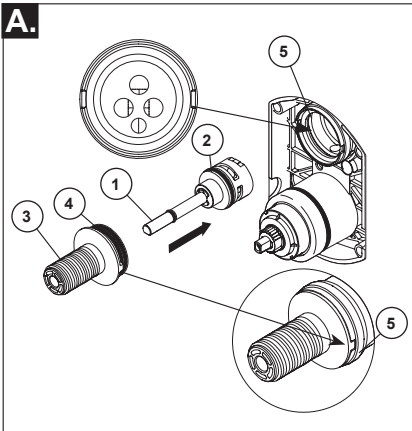


Dans le cas d'une installation dos à dos ou inversée (eau chaude à droite et eau froide à gauche) seulement : tournez la cartouche (1) de sorte que la mention « HOT SIDE » se trouve du côté droit. Ajoutez du lubrifiant à base de silicone aux trois joints toriques montrés ci-dessus pour faciliter la pose de la cartouche dans le corps de robinetterie brute et sa dépose.

Installez la cartouche en prenant soin d'introduire les ergots entièrement dans les rainures du corps de robinetterie brute (reportez-vous à l'étape C). Glissez le joint torique (3) et l'écrou-chapeau (4) sur la cartouche et vissez-le sur le corps de robinet brut. Serrez-le à la main solidement.

2

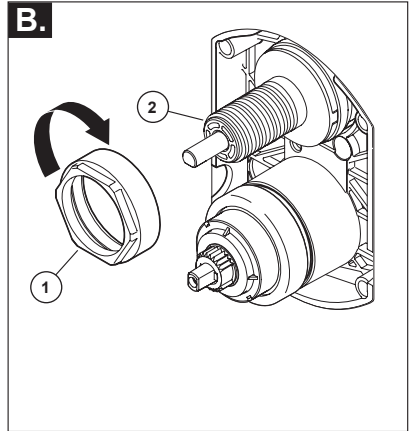
Installation de la cartouche de l'inverseur



INSTALLATION DE LA CARTOUCHE DE L'INVERSEUR

Ajoutez du lubrifiant à base de silicone au joint torique (2) pour faciliter la pose du manchon de l'inverseur (3) et la cartouche de l'inverseur. Vous pouvez enduire les joints toriques (4) d'un peu de graisse de plomberie pour faciliter l'assemblage. Installez la cartouche d'inverseur (1) en prenant soin de faire correspondre l'ergot de détrompage au bas de la cartouche avec le trou dans le corps de robinet brut.

Glissez le manchon de l'inverseur (3) sur la tige de la cartouche en faisant correspondre les pattes du manchon de l'inverseur avec les rainures dans le corps de robinetterie brute (5).



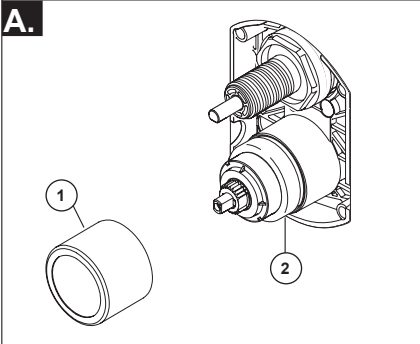
Installation du chapeau

Glissez l'écrou-chapeau (1) sur le manchon de l'inverseur (2) et vissez-le sur le corps de robinetterie brute.

Serrez-le à la main solidement.

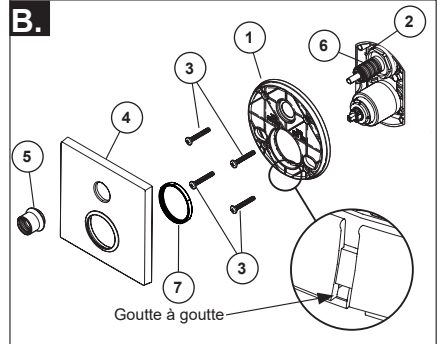
3

Installation de la pièce de finition



Installation du manchon de finition

Glissez le manchon de finition (1) sur le chapeau (2), la cartouche et le corps de robinetterie brute. Assurez-vous que le manchon est bien positionné sur l'avant de la cartouche.



Installation de la plaque de finition

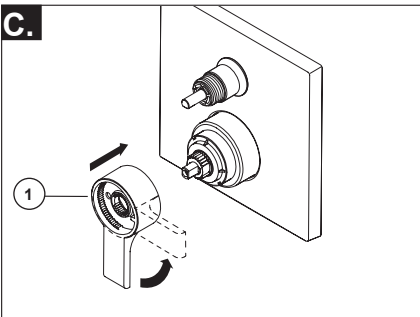
Installation dans un mur fini d'une épaisseur maximale de 1 1/8 po. Fixez la plaque arrière (1) au corps de robinetterie brute (2) au moyen des quatre vis (3) fournies.

Note : Assurez-vous que la face avant de la plaque arrière est orientée vers l'avant et que les repères sont visibles.

Glissez la plaque de finition (4) sur la cartouche de l'inverseur, puis vissez l'écrou de finition (5) fourni sur le manchon de l'inverseur.

Remarque: Pour une installation sur paroi épaisse, visitez le site Web delta faucet, consultez le "schéma des pièces et accessoires" des modèles que vous avez achetés, commandez le kit d'installation RP approprié pour paroi épaisse pour supporter une épaisseur de paroi finie jusqu'à 2 1/8.

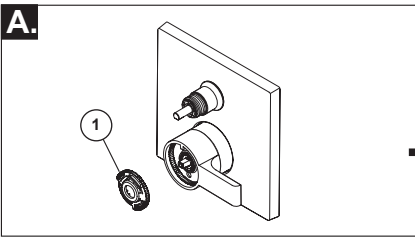
Sur les surfaces raboteuses ou inégales, vous devez appliquer du composé d'étanchéité autour de la plaque arrière (1) pour épaissir le joint. N'appliquez pas de composé d'étanchéité dans l'encoche d'égouttement au bas de la plaque arrière (1) ni autour de la plaque de finition (4).



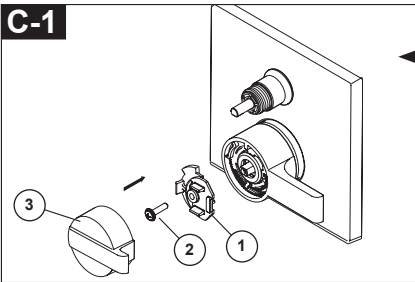
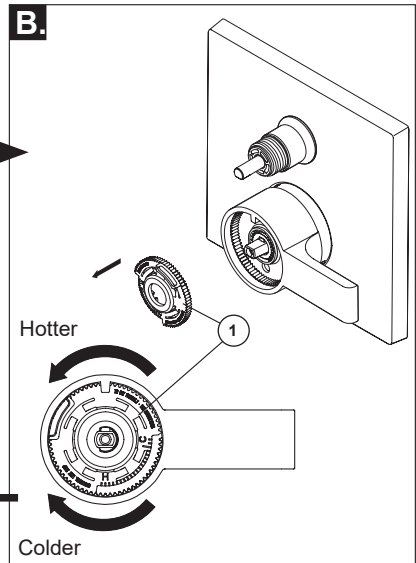
Installez la manette de réglage de débit (1) de manière qu'elle pointe vers le bas, puis placez-la en position d'ouverture. NE LA FIXEZ PAS AVEC UNE VIS.

4

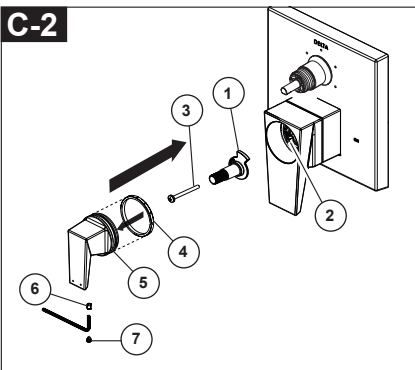
Installation et réglage de la butée de température maximale



Placez le bouton de réglage de température (1) sur la manette de réglage de débit et tournez-le jusqu'à la position de mélange (au besoin). NE LE FIXEZ PAS AVEC LA VIS. Rétablissez l'alimentation en eau. Laissez couler l'eau jusqu'à ce que l'eau froide soit aussi froide que possible et que l'eau chaude soit aussi chaude que possible. Mettez un thermomètre dans un gobelet en plastique, puis placez le gobelet sous le jet d'eau et attendez un peu. Notez la température de l'eau.



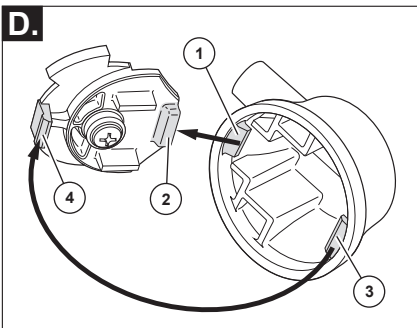
Fixez le bouton de réglage de température (1) avec la vis (2). Reportez-vous à la prochaine étape (D) pour savoir comment fixer le couvercle de la commande de température (3).



Veuillez installer l'adaptateur (1) sur la tige de soupape (2) et le fixer avec la vis (3). Veuillez installer la rondelle (4) sur la poignée (5), et faire glisser la poignée sur l'adaptateur et la fixer avec la vis de réglage (6), puis couvrir la vis de réglage avec le bouton de la poignée (7).

Si la température de l'eau est supérieure à 120 °F, retirez et tournez la butée de température maximale (1) dans le sens horaire. La variation de température est d'environ 4 à 6 °F par cran. Si l'eau n'est plus assez chaude, tournez la butée de température maximale dans le sens antihoraire.

IMPORTANT: La première position de la butée de température maximale est celle qui limite le plus la rotation de la tige; elle se trouve à l'extrémité de la plage dans le sens horaire. Selon les normes de l'industrie, la température maximale de l'eau à la sortie de la soupape ne doit pas dépasser 120 °F. La température peut varier selon la région. Le réglage de la butée de température maximale peut être modifié si la température de l'eau d'alimentation a changé. À titre d'exemple, la température de l'eau froide est plus basse en hiver, ce qui influence la température de l'eau à la sortie de la soupape. La température idéale de l'eau pour un bain ou une douche se situe entre 90 et 110 °F.



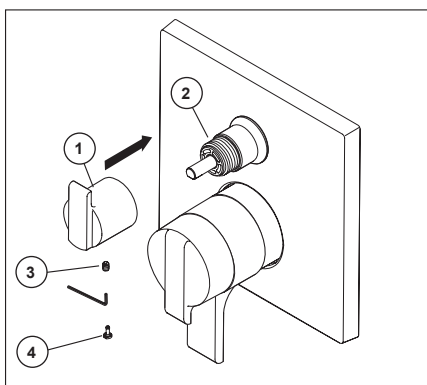
Placez le couvercle de la commande de température contre le bouton de réglage de température après avoir aligné la petite patte (1) sur le couvercle avec la rainure (2) sur bouton de température. Faites pivoter la grosse patte (3) pour l'engager dans la fixation (4).
 Note : Si vous devez démonter le couvercle, procédez dans l'ordre inverse et dégagez la grosse patte (3) de la fixation (4) en premier.

5

Possibilité d'ébouillantage ou de choc thermique pouvant causer des lésions en raison d'une inversion de la circulation de l'eau si la sortie de la douche est bloquée ou limitée (p. ex. : circulation bloquée par la commande d'arrêt sur la pomme de douche). Avant d'ouvrir le robinet, déplacez la pomme de douche pour ne pas vous faire arroser. Vous pouvez également installer des clapets de non-retour sur les deux tuyaux d'alimentation en eau pour éliminer les risques de blessures.

6

Installation de la manette de l'inverseur

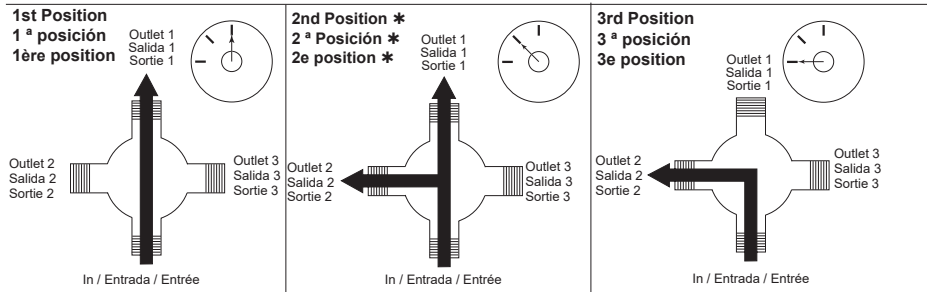


Installation de la poignée de déviation

Veillez faire glisser la poignée du déviateur (1) sur le manchon de garniture (2). Veuillez insérer la vis de réglage (3) dans la poignée (1) à l'aide d'une clé Allen. En appliquant une pression, veuillez insérer le couvercle de vis de réglage (4), le cas échéant, jusqu'à ce qu'il soit correctement installé.

Fiche de référence de la manette de l'inverseur

Water Flow For 3 Function Diverter / Flujo de agua para Desviadores de 3 posiciones / Écoulement de l'eau pour les inverseurs à 3 positions

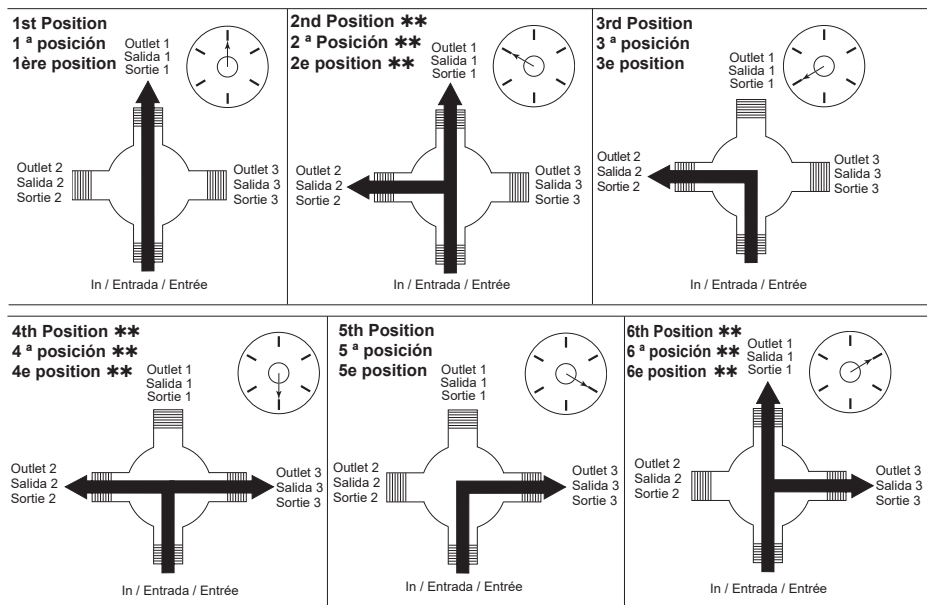


* Shared positions do not exist in non-shared cartridges.

* Los ajustes o posiciones compartidas no existen en los cartuchos no-compartidos.

* Comme leur nom l'indique, les cartouches sans position partagée ne comportent aucune position partagée.

Water Flow For 6 Function Diverter / Flujo de agua para Desviadores de 6 posiciones / Écoulement de l'eau pour les inverseurs à 6 positions



** Shared positions do not exist in non-shared cartridges.

** Los ajustes o posiciones compartidas no existen en los cartuchos no-compartidos.

** Comme leur nom l'indique, les cartouches sans position partagée ne comportent aucune position partagée.

Nettoyage et entretien

Ce produit doit être nettoyé avec soin. Bien que le fini soit extrêmement durable, il peut être abîmé par des agents de polissage puissants ou des nettoyeurs fortement abrasifs. Pour le nettoyer, il suffit de le frotter doucement avec un chiffon humide, puis de l'éponger avec une serviette douce.

Maintenance

Fuite du robinet par la sortie de douche:
FERMEZ LES ROBINETS D'ALIMENTATION.
Remplacez la cartouche de soupape RP46463
Reportez-vous aux conseils utiles 1, 2 et 3.

Conseils utiles:

1. Avant d'enlever la cartouche de la soupape aux fins d'entretien, prenez note de la position de la butée de température maximale sur le chapeau. La cartouche de la soupape doit toujours être replacée au même endroit. **PENSEZ SÉCURITÉ!** Après avoir terminé l'installation, ouvrez la soupape pour vous assurer que de L'EAU FROIDE S'ÉCOULE EN PREMIER.

2. Pour retirer la cartouche du corps, fermez les robinets d'alimentation et enlevez la manette ainsi que l'écrou-chapeau. Ne tentez pas d'extraire la cartouche en faisant levier avec un tournevis. Placez la manette sur la tige et tournez-la d'environ $\frac{1}{4}$ de tour dans le sens inverse à celui des aiguilles d'une montre après avoir atteint la butée. Soulevez la cartouche pour la retirer du corps.

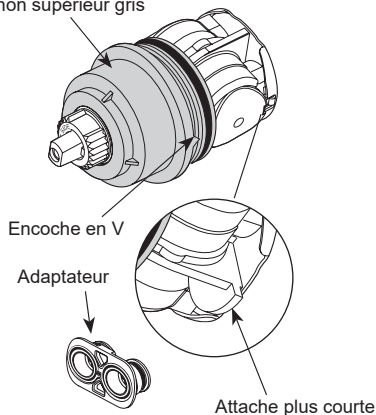
Enlevez les sièges et les ressorts et remplacez-les. Placez la partie du ressort au diamètre le plus large dans la poche du siège, puis pressez l'extrémité conique de la garniture d'étanchéité sur le ressort. Réassemblez la cartouche de la soupape et remplacez-la dans le corps en suivant les instructions données dans la partie 1.

3. Si l'eau de votre région contient du calcaire, de la rouille, du sable ou d'autres contaminants, la soupape d'équilibrage de la pression doit être inspectée périodiquement. La fréquence de l'inspection dépendra du taux de contaminants dans l'eau. Pour inspecter la cartouche de la soupape, retirez-la et suivez les étapes mentionnées dans la Note 1 ci-dessus. Tournez la soupape en position de mélange complet et secouez vigoureusement la cartouche. Si vous entendez un cliquetis, l'unité est fonctionnelle et peut être réinstallée en suivant les instructions indiquées dans la Note 1. Si vous n'entendez pas de cliquetis, remplacez le corps par la pièce de rechange appropriée.

Fiche de référence sommaire de la cartouche

T27

Capuchon supérieur gris



**Commandez le kit RP46463
pour remplacer la cartouche.**



see what Delta can do™

Delta Faucet Company
Product Service
55 E. 111th Street
Indianapolis, IN 46280