



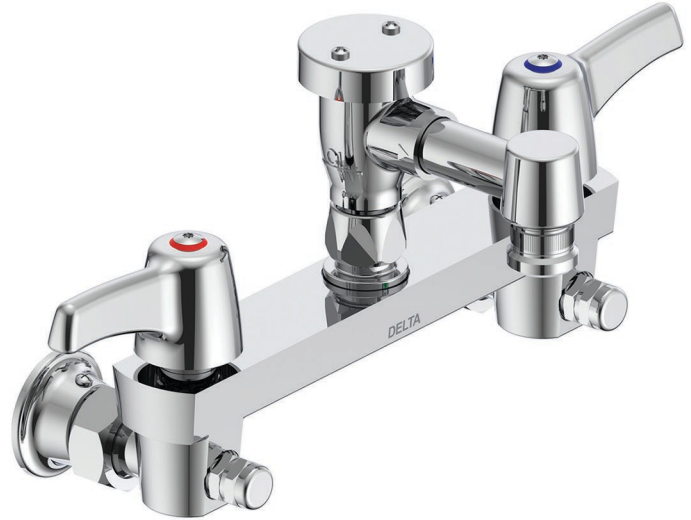
8.0" (203 mm) Wall Mount Service Sink Faucet with Integral Check Stops **28C8083**

Description

5.5" (140 mm) Spout with plain spout (distance from wall to spout outlet with spout end vacuum breaker), rigid spout, integral check stops, cast body, vandal-resistant hooded lever handles, red/blue indicators, pail hook, garden hose end outlet, CER-TECK® cartridges and spout end vacuum breaker.

Specification

- 8.0" (203 mm) centers cast brass wall mount sink faucet
- Two handle
- Centers adjustable from 7.75" to 8.25" (197 to 210 mm) unless AC option selected
- Polished chrome plated finish
- With integral check stops
- Heavy Duty 1/2" IPS Brass pipe rigid pail hook spout
- CER-TECK® 1/4 turn ceramic disk cartridge
- Spout #0 - 5.5" (140mm) plain spout (from wall to spout outlet)
- Outlet #8 - Body mounted Angle Vacuum Breaker-Garden Hose End outlet on spout
- Handle #3 - 3.0" (76 mm) Lever Blade Handles, ADA Compliant, Metal, Color indexed, Vandal Resistant screws



Features

- Designed for routine 180°F (82°C) disinfection cycles up to 30 minutes.

Optional Accessories

- **28T911** - Hose and Hanger Bracket

Complies With

- ASME A112.18.1/CSA B125.1
- ASSE 1001 and CSA Standard B64.1.1
- ICC/ANSI A117.1



WARNING Not for potable water.

(Contact Delta Representative for State and/or Local Approvals)

NOTICE Dimensions are for reference only. Measurements may vary $\pm 0.25"$ (6 mm).

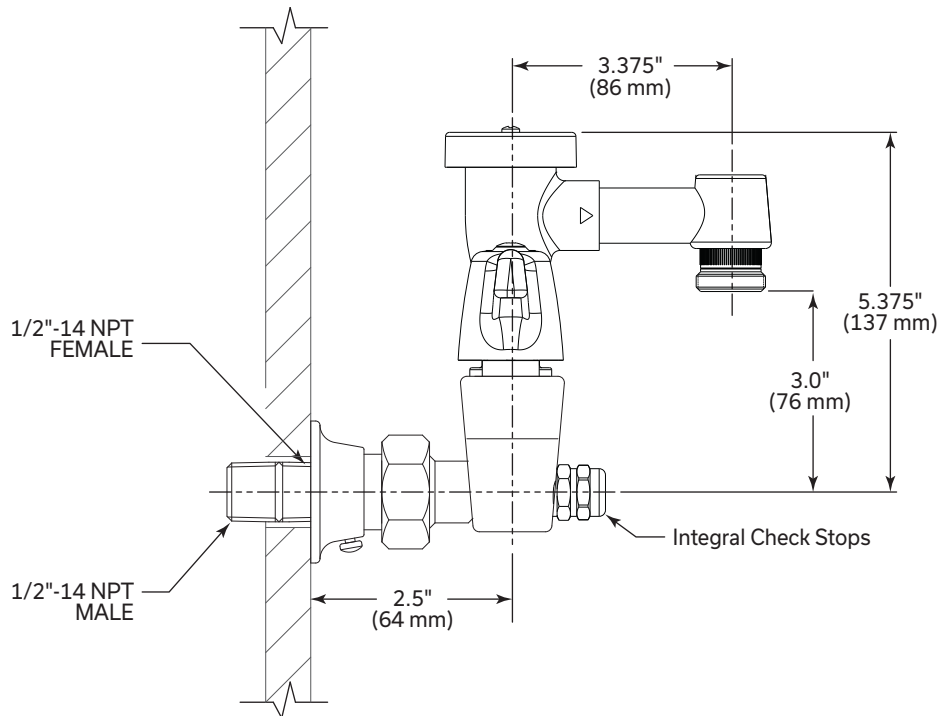
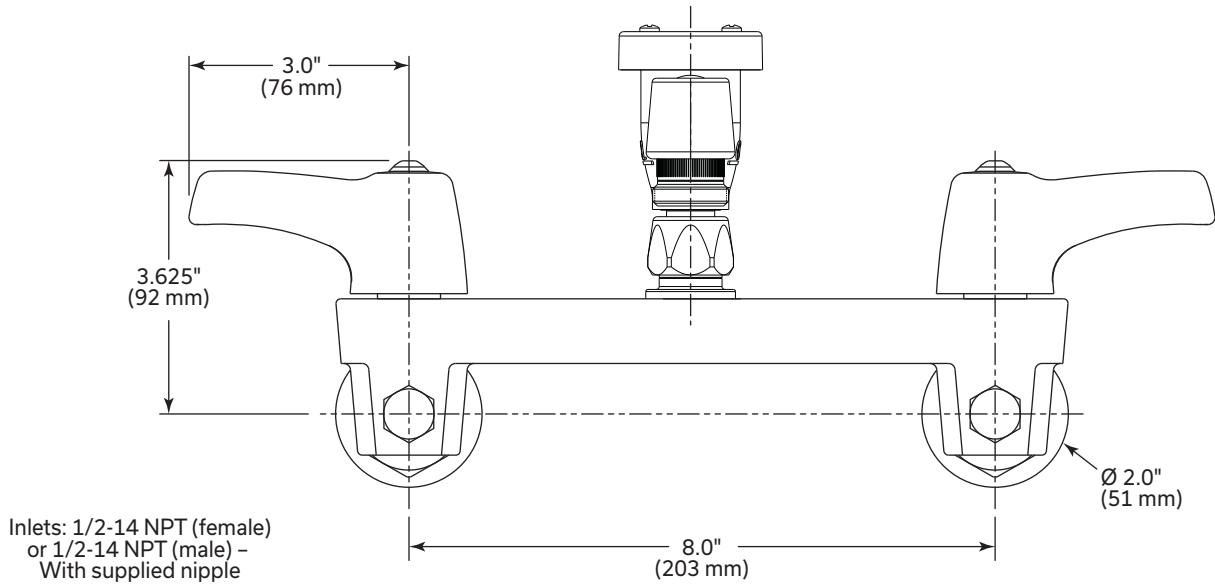
Delta Faucet Company reserves the right (1) to make changes in specifications and materials, and (2) to change or discontinue models, both without notice or obligation. See current full-line price book for finish options and product availability. This spec was produced on February 14, 2024.

Masco Canada Limited
350 South Edgeware Rd, St Thomas, Ontario, Canada N5P 4L1
1-800-387-8277

28C8083



8.0" (203 mm) Wall Mount Service Sink Faucet with Integral Check Stops **28C8083**



NOTICE Dimensions are for reference only. Measurements may vary $\pm 0.25"$ (6 mm).

Delta Faucet Company reserves the right (1) to make changes in specifications and materials, and (2) to change or discontinue models, both without notice or obligation. See current full-line price book for finish options and product availability. This spec was produced on February 14, 2024.

Masco Canada Limited
350 South Edgeware Rd, St Thomas, Ontario, Canada N5P 4L1
1-800-387-8277

28C8083