

Wallmount Sink Faucet-Rigid Spout Rough Chrome Plate

TECK®

DELTA
COMMERCIAL

Specification: (example)

- **HEAVY DUTY CAST BRASS** two handle wallmount sink faucet
- 203mm (8") centers, **rough chrome plated finish**
- Integral check stops
- **HEAVY DUTY 1/2" IPS BRASS PIPE** rigid pail hook spout
- ADA compliant color indexed metal lever or blade handles with vandal resistant screws and ... with ... (add **CER-TECK™** 1/4 turn ceramic structures or **TUF-TECK™** compression structures)
 - with ... (add spout/brace required)
 - with ... (add outlet/VB required)
 - with ... (add handle required)
 - with ... adjustable centers
(add Suffix **AC** if required – See Back Page)

28C8063
28T8063



Engineer/Architect Approval








Model Specified:

Approval:

Date:

DESCRIPTION		PRODUCT NO.			
Two Handle Rough Chrome Plated Wallmount With Integral Check Stops	CER-TECK™	28C8			
	TUF-TECK™	28T8			



SPOUT/BRACE		OUTLET/VB		HANDLE	
0	Plain Spout, Less Brace 	0		0	
1	Top Brace Spout 	1		1	
2		2		2	102mm (4") Hooded Blade Handles 
3		3		3	76mm (3") Lever Blade Handles 
4		4		4	
5		5	Hose Thread Outlet 	5	
6		6	Spout End Vacuum Breaker, Hose Thread Outlet 	6	
7		7	Same As No. 6 above with 1219mm (48") Hose and Stainless Steel Hanger	7	
8		8	Body Mounted Angle Vacuum Breaker, Hose Thread Outlet 	8	
9		9	Same as No. 8 above with 1219mm (48") Hose and Stainless Steel Hanger	9	

See Series 28T9 for Hose and Accessories.
Refer to www.specselectonline.com for individual models.

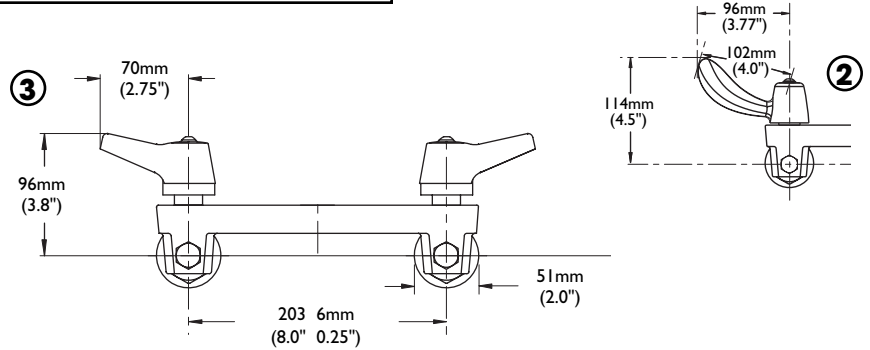
Note: Use this page front and back as a product submittal sheet.

Delta reserves the right (1) to make changes in specifications and materials, and (2) to change or discontinue models, both without notice or obligation. Dimensions are for reference only. See current full-line price book or www.specselectonline.com for finish options and product availability.

Approvals:

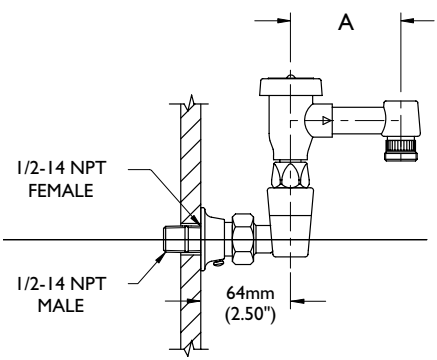
- CSA certified
 - Complies to ASME A112.18.1
 - Lever Blade Handle No. 2 and 3, ADA Compliant and meets Handicapped Accessibility Standard ASME A117.1 of less than 5 lbs. operating force.
 - **OUTLET/VACUUM BREAKERS:**
No. 6 Certified under ASSE 1011 and CSA Standard B64.2
No. 8 Certified under ASSE 1001 and CSA Standard B64.1.1
 - IAPMO listed
- (Contact Delta Representative for State and/or Local Approvals.)

WALLMOUNT FAUCET

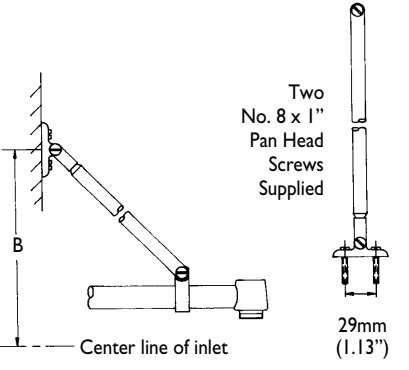


INLETS: 1/2-14 NPT (FEMALE)
OR 1/2-14 NPT (MALE) - WITH SUPPLIED NIPPLE

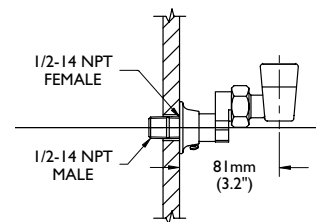
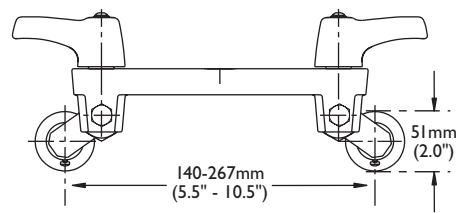
SIDE VIEW



BRACE



ADJUSTABLE CENTERS
 Add Suffix "AC" to Product Number



Brace Rough-in dimensions based on #8 and 9 Outlet/VB

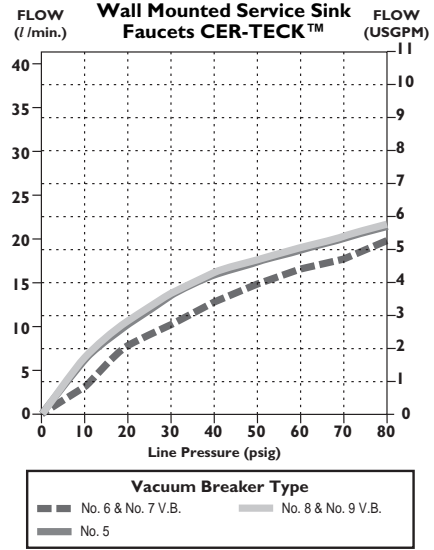
INLETS - 1/2" FIP/MIP

Note: Measurements may vary ± 6mm (0.25")

RIGID SPOUT ASSEMBLIES

SPOUT DIMENSIONS	Outlet/VB - "A"			
	#5, 6, 7 mm	in.	#8 & 9 mm	in.
Spout/Brace #0 less -AC	81	3.2	86	3.4
Spout/Brace #1 less -AC	140	5.5	145	5.7

FLOWRATE vs PRESSURE



FLOWRATE vs PRESSURE

