

Wallmount Sink Faucets

TECK[®]
COMMERCIAL

DELTA[®]

Specification: (example)

- **CAST BRASS** two handle wallmount sink faucet
 - 203mm (8") centers, polished chrome plated finish
 - **BRASS** swing spout or 3/8" IPS **BRASS PIPE** Rigid/Swivel Gooseneck Spout
 - ADA compliant color indexed metal lever or blade handles with vandal resistant screws
 - **CER-TECK[®]** 1/4 turn ceramic structures
- and ... with ... integral check stops (if required)
 with ... (add spout required)
 with ... (add outlet required)
 with ... (add handle required)
 with ... adjustable centers
 (add Suffix **AC** if required – See Back Page)



Engineer/Architect Approval












Model Specified:

Approval:

Date:

DESCRIPTION	PRODUCT NO.			
Less integral stops	28C4			
With integral check stops	28C6			



SPOUT		OUTLET		HANDLE	
0	<input type="checkbox"/>	0	<input type="checkbox"/>	0	<input type="checkbox"/>
1	<input type="checkbox"/>	1	<input type="checkbox"/>	1	<input type="checkbox"/>
2	203mm (8") Tubular Swing Spout (2) (S5) 	2	Vandal Resistant 1.5 gpm (5.7 L/min.) Laminar with Agion [®] Antimicrobial 	2	<input type="checkbox"/>
3	<input type="checkbox"/>	3	Vandal Resistant 1.5 gpm (5.7 L/min.) Flow Control Aerator 	3	76mm (3") Lever Blade Handles  
4	279mm (11") Tubular Swing Spout (2) (S7) 	4	Standard 1.5 gpm (5.7 L/min.) Flow Control Aerator 	4	102mm (4") Blade Handles, Sanitary Hoods  
5	<input type="checkbox"/>	5	Vandal Resistant 0.5 gpm (1.9 L/min.) Flow Control Non-Aerating Spray Outlet 	5	<input type="checkbox"/>
6	<input type="checkbox"/>	6	<input type="checkbox"/>	6	<input type="checkbox"/>
7	<input type="checkbox"/>	7	<input type="checkbox"/>	7	<input type="checkbox"/>
8	<input type="checkbox"/>	8	<input type="checkbox"/>	8	<input type="checkbox"/>
9	Heavy Duty (R4), 152mm (6") Bend Rigid/Swivel Gooseneck Spout (1) 	9	<input type="checkbox"/>	9	<input type="checkbox"/>

(1) Available **Optional Rigid/Swivel Spouts**. These spouts can ONLY be added to **SPOUT Option No. 9**.
 (2) Available **Optional Swing Spouts**. These spouts can ONLY be added to **SPOUT Option No. 2**.
 Refer to www.specselect.com for individual models.

Flow Rates are at 60 PSI.

Delta reserves the right (1) to make changes in specifications and materials, and (2) to change or discontinue models, both without notice or obligation.
 Dimensions are for reference only. See current full-line price book or www.specselect.com for finish options and product availability.

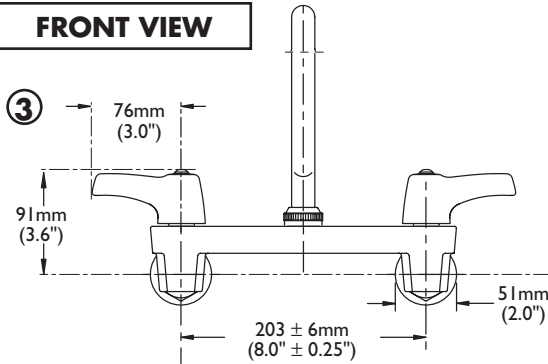
Note: Use this page front and back as a product submittal sheet.

DSP-28C46 Rev. A

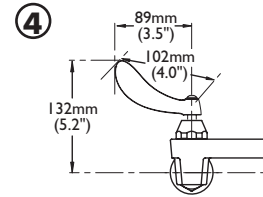
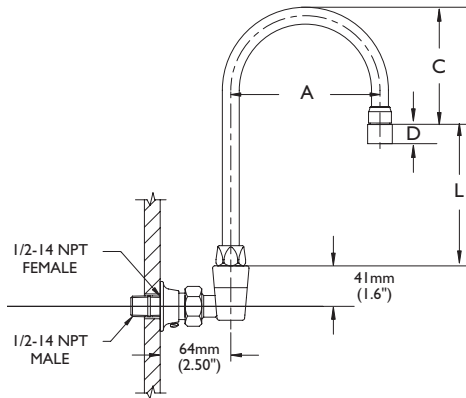
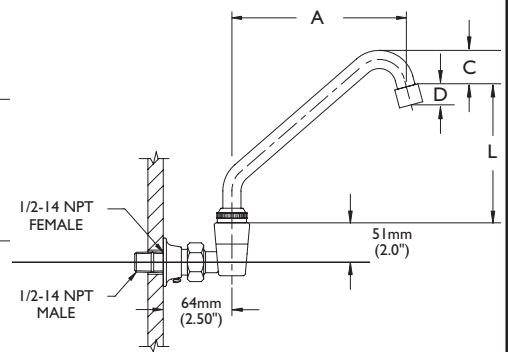
Approvals:

- CSA certified
- Complies to ASME A112.18.1/CSA B125.1
- Handles No. 3 and 4
Indicates compliance to ICC/ANSI A117.1
- Verified compliant with 0.25% weighted average Pb content regulations

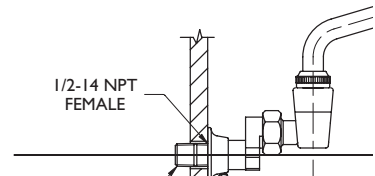
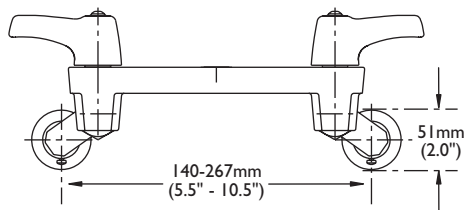
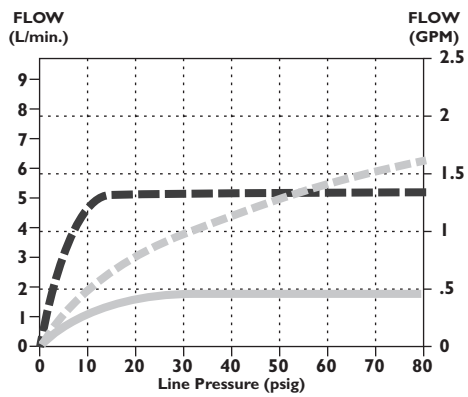
(Contact Delta Representative for State and/or Local Approvals.)

FRONT VIEW


INLETS: 1/2-14 NPT (FEMALE)
OR 1/2-14 NPT (MALE) - WITH SUPPLIED NIPPLE


GOOSENECK SPOUTS

SWING SPOUTS

ADJUSTABLE CENTERS

- Add Suffix "AC" to Product Number


FLOW RATE vs PRESSURE

Spout Outlets

- No. 3 & 4 Aerator
- No. 2 Laminar Flow Outlet
- No. 5 Low Flow Outlet

FOR OPTIONAL RIGID/SWIVEL SPOUTS

See DSP-R/S for detailed specification

FOR OPTIONAL SWING SPOUTS

See DSP-S/S for detailed specification

OUTLET NO.	"D"	
	mm	in.
2	18	0.69
3	18	0.69
4	17	0.67
5	18	0.69

GOOSENECK SPOUT ASSEMBLIES

SPOUT NO.	SPOUT TYPE	"A"		"C"		"L"	
		mm	in.	mm	in.	mm	in.
9	Gooseneck-Standard (R4)	152	6	124	4.9	146	5.8

SWING SPOUT ASSEMBLIES

SPOUT NO.	SPOUT TYPE	"A"		"C"		"L"	
		mm	in.	mm	in.	mm	in.
2	8" Tubular Spout (S5)	185	7.3	41	1.6	147	5.8
4	11" Tubular Spout (S7)	277	10.9	28	1.1	104	4.1

INLETS - 1/2" FIP/MIP

Note: Measurements may vary ± 6mm (0.25")

Refer to www.specselect.com for individual models.

Note: Use this page front and back as a product submittal sheet.