



Sink Faucet Wallmount

8" Wallmount WITH Integral Check Stops - CER-TECK®

Model No: 28C2915

COMPLIES WITH:

- CSA certified.
- Complies to ASME Standard A112.18.1.
- IAPMO listed
- (Contact Delta Representative for State and/or Local Approvals)
- Inline vacuum breaker certified under CSA Standard B64.8 and meets ASSE Standard 1035



SPECIFICATION:

- 203 mm (8") centers cast brass wallmount service sink faucet
- Centers adjustable from 7.75" to 8.25" unless AC option selected
- Two handle
- With integral check stops
- Polished chrome plated finish
- Heavy duty 1/2" IPS brass pipe rigid pail hook spout
- CER-TECK® 1/4 turn ceramic disk structures
- Spout#: 9 - Long Rigid Spout w/ Pail Hook, Bottom Fork Brace to fit around Flush valve tube
- Outlet#: 1 - Body Mounted Double Check Vacuum Breaker (used when shutoff installed after outlet)-Garden Hose End on spout
- Handle#: 5 - VR 152 mm (6") Wrist Handles-ADA Compliant-Sanitary Hoods-Color indexed-Vandal resistant(VR) screws

OPERATION:

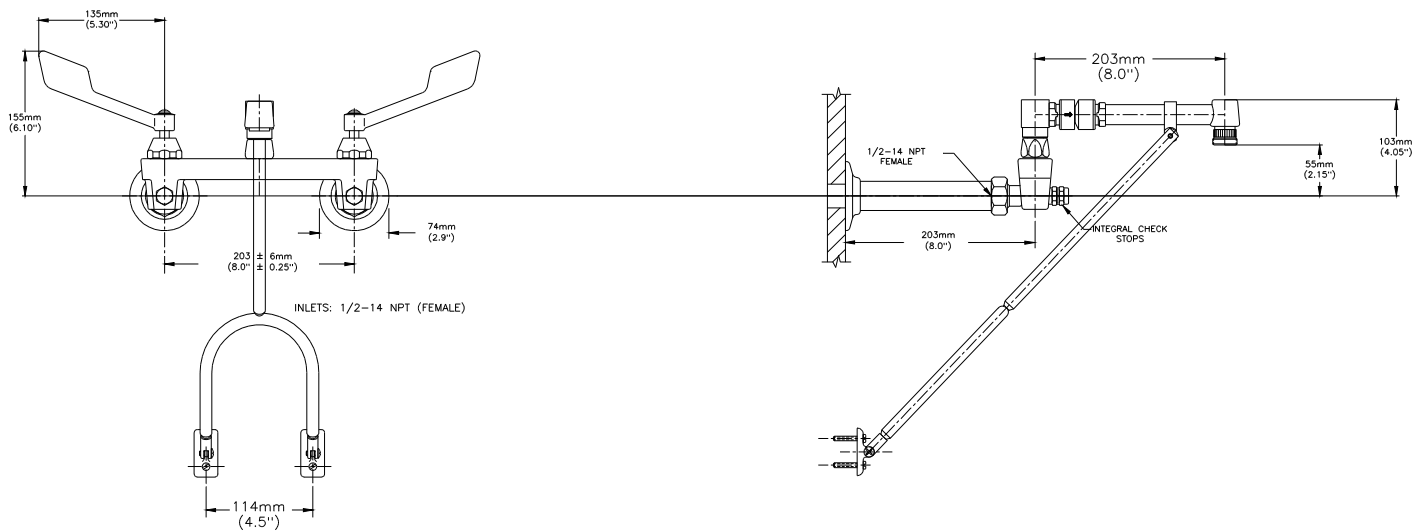
- Not Available

(Dimensional drawing on following page)

Delta reserves the right (1) to make changes to specifications and materials, and (2) to change or discontinue models, both without notice or obligation. Dimensions are for reference. Measurement may vary plus or minus 6mm(0.25"). Mounting locations are suggested only. Check with local codes for requirements in your area.

Delta Faucet Company - 55 East 111th St. - Indianapolis, Indiana, USA 46280 - (317) 848-1812
Delta Faucet Canada - 395 Matheson Blvd E - Mississauga, Ontario, Canada L4Z 2H2 - (905) 712-3030

Model No: 28C2915



Delta reserves the right (1) to make changes to specifications and materials, and (2) to change or discontinue models, both without notice or obligation. Dimensions are for reference. Measurement may vary plus or minus 6mm(0.25"). Mounting locations are suggested only. Check with local codes for requirements in your area.

Delta Faucet Company - 55 East 111th St. - Indianapolis, Indiana, USA 46280 - (317) 848-1812
 Delta Faucet Canada - 395 Matheson Blvd E - Mississauga, Ontario, Canada L4Z 2H2 - (905) 712-3030