



## Sink Faucet Deckmount

8" deck LESS hose and spray - CER-TECK® ceramic structures

### Model No: 27C2155

#### COMPLIES WITH:

- CSA certified
- Complies to ASME Standard A112.18.1
- IAPMO listed
- Verified to <0.25% Pb average wetted surface regulations (Contact Delta Representative for State and/or Local Approvals)
- 152 mm (6") Wrist Blade Handle ADA compliant and meets Handicapped Accessibility Standard ASME A117.1 of less than 5 lbs operating force



#### NOTES:

Verified to <0.25% Pb average wetted surface regulations

CA/VT Compliance:

This COMPLETE SERIES is ONLY available as CA/VT Compliant product as of Nov. 1, 2009.

The Product Numbers have NOT changed.

***(Dimensional drawing on following page)***

#### SPECIFICATION:

- Below deckmount sink faucet
- 203 mm (8") centers, two handle
- Polished chrome plated finish
- Cast brass bodies
- Metal hold-down package
- CER-TECK® ceramic structures
- Spout#: 1 - 203mm (8") Wallform Swing Spout(S2)
- Outlet#: 5 - Vandal Resistant Non-Aerating Spray Outlet -0.5 USGPM (1.9 L/min) Flow Rate at 60 psi- pressure compensating
- Handle#: 5 - 152 mm (6") Wrist Blade Handles-ADA Compliant- Sanitary Hoods-Metal-Color indexed-Vandal resistant screws

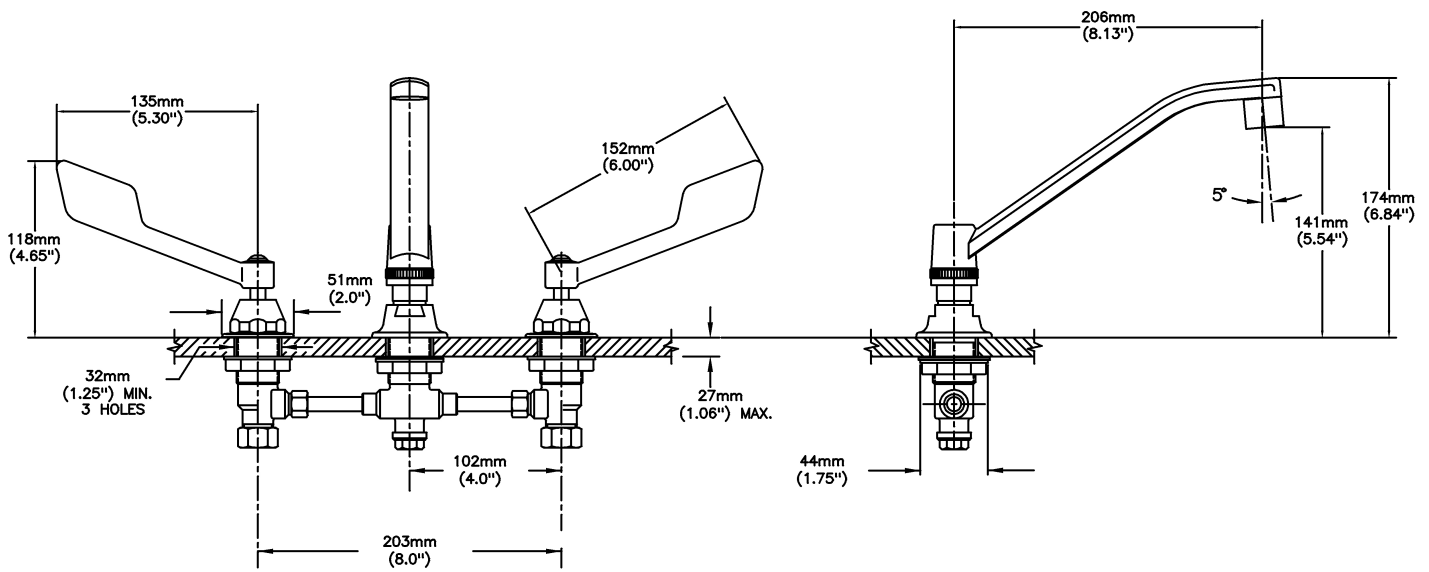
#### OPERATION:

- Not Available

Delta reserves the right (1) to make changes to specifications and materials, and (2) to change or discontinue models, both without notice or obligation. Dimensions are for reference. Measurement may vary plus or minus 6mm(0.25"). Mounting locations are suggested only. Check with local codes for requirements in your area. This spec was produced November 01, 2011.

Delta Faucet Company - 55 East 111th St. - Indianapolis, Indiana, USA 46280 - (317) 848-1812  
Delta Faucet Canada - 395 Matheson Blvd E - Mississauga, Ontario, Canada L4Z 2H2 - (905) 712-3030

Model No: 27C2155



INLET FOR 3/8" OR 1/2" FLEXIBLE RISER  
OR 1/2-14 NPSM COUPLING NUT (SUPPLIED)

Delta reserves the right (1) to make changes to specifications and materials, and (2) to change or discontinue models, both without notice or obligation. Dimensions are for reference. Measurement may vary plus or minus 6mm(0.25"). Mounting locations are suggested only. Check with local codes for requirements in your area. This spec was produced November 01, 2011.

Delta Faucet Company - 55 East 111th St. - Indianapolis, Indiana, USA 46280 - (317) 848-1812  
Delta Faucet Canada - 395 Matheson Blvd E - Mississauga, Ontario, Canada L4Z 2H2 - (905) 712-3030