



OPERATION:

COMPLIES WITH:

- ASME A112.18.1/CSA B125.1
- ICC/ANSI A117.1
- Verified compliant with 0.25% weighted average Pb content regulations

WARRANTY:

- 5 year limited warranty on parts (other than batteries) and finishes of this Delta® commercial product from the date of purchase. No warranty is provided on batteries.
- Please see the warranty for all terms, conditions and limitations. Copies of the warranty are available from DeltaCommercialFaucets.com.

26C3933-R7

Deckmount Sink Faucet, 8" (203mm)

Cer-Teck® 1/4 Turn Ceramic Cartridges

FEATURES:

- HEAVY DUTY CAST BRASS sink faucet
- 3/8" IPS BRASS PIPE Rigid/Swivel Gooseneck Spout
- Color indexed metal handles with vandal resistant screws
- CER-TECK® 1/4 turn ceramic structures
- Designed for routine 180°F (82°C) disinfection cycles up to 30 mins

SPECIFICATION:

- Deckmount sink faucet, 8" (203mm)
- Cer-Teck® 1/4 turn ceramic cartridges
- 2 handle
- Vandal resistant handle, colour index
- Metal hold-down package
- Polished chrome-plated finish
- Vandal resistant aerator, 1.5 gpm (5.7Lpm)
- Cast brass body



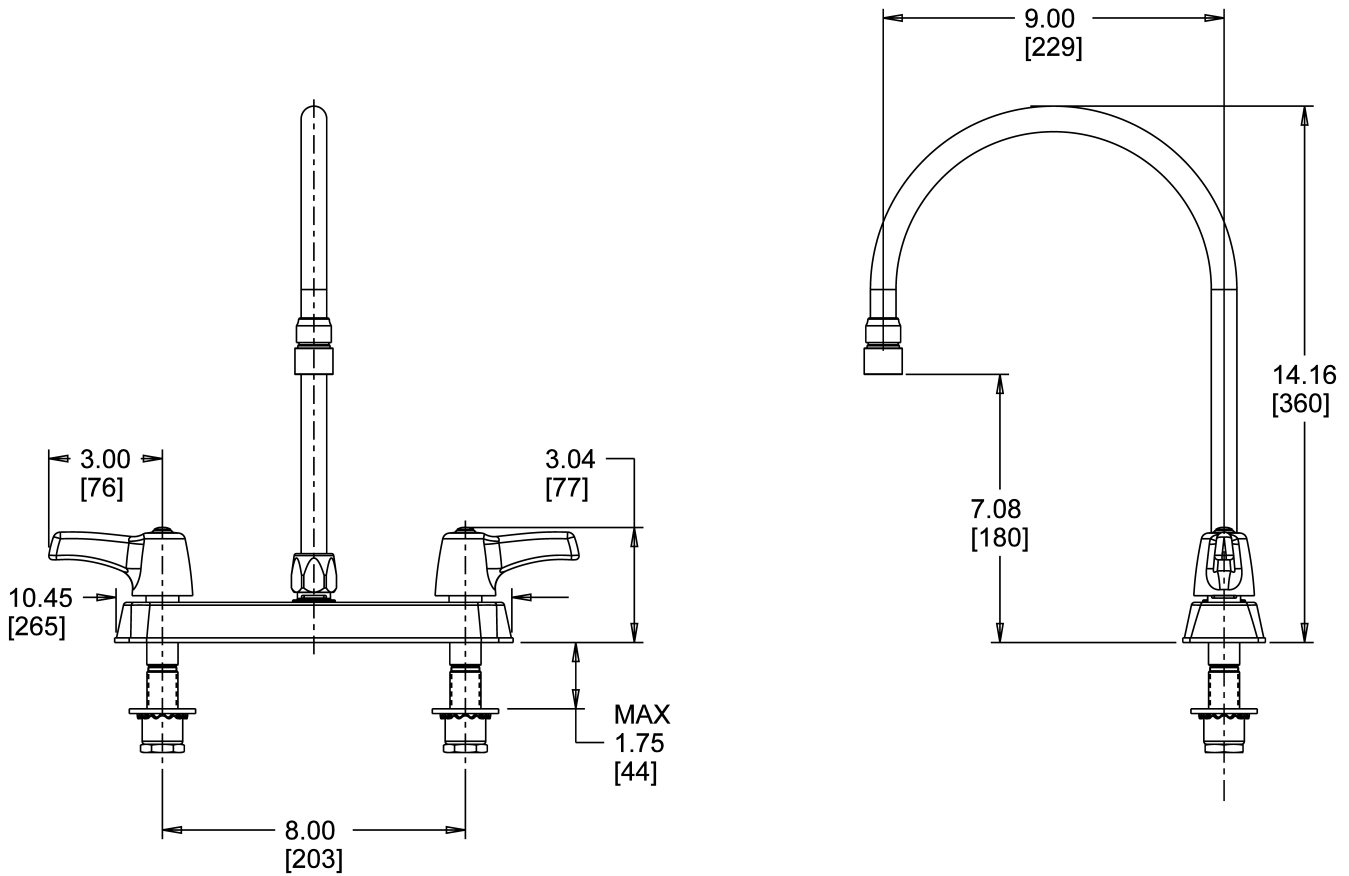
Delta reserves the right (1) to make changes to specifications and materials, and (2) to change or discontinue models, both without notice or obligation. Dimensions are for reference. Measurement may vary plus or minus 6mm(0.25"). Mounting locations are suggested only. Check with local codes for requirements in your area.

DELTA FAUCET COMPANY 55 East 111th St. Indianapolis, IN, USA 46280 - 317.848.1812
 MASCO CANADA LIMITED 350 South Edgeware Rd, St. Thomas, ON, Canada N5P 4L1 - 905.712.3030

26C3933-R7

REQUIRED ACCESSORIES:

OPTIONAL ACCESSORIES:



Dimension Units: INCH[MM]

A = Max deck/wall thickness: 1.75" (44mm)

B = Holes required/min 2 hole - 1.0" (25mm)

C = Inlets for 3/8" compression or 1/2" flexible risers OR 1/2-14 NPSM coupling nuts (Nuts not supplied)

Notes:

HELPFUL LINKS:

- [Cartridge Options](#)