

Cast Deckmount Sink Faucets 4" Centers

TECK®

DELTA
COMMERCIAL

Specification: (example)

- **HEAVY DUTY CAST BRASS** sink faucet
- 102mm (4") centers, two handle
- Polished chrome plated finish
- **BRASS** swing spout or 3/8" IPS **BRASS PIPE** Rigid/Swivel Gooseneck Spout
- Metal hold-down package
- Color indexed metal handles with vandal resistant screws and ... with ... (add **CER-TECK**® 1/4 turn ceramic structures or **TUF-TECK**® compression structures)
- with ... Metal Pop-up (if applicable)
- with ... (add spout required)
- with ... (add outlet required)
- with ... (add handle required)
- with ... (add suffix **-LS** if required – See Back Page)
- with ... (add suffix **-TI** if required – See Back Page)

27C4834
27T4834



27C4233
27T4233

Engineer/Architect Approval

Model Specified:

Approval:

Date:

DESCRIPTION		PRODUCT NO.			
CAST Deckmount LESS Pop-up	CER-TECK®	27C4			
CAST Deckmount WITH Pop-up	CER-TECK®	27C5			
CAST Deckmount LESS Pop-up	TUF-TECK®	27T4			
CAST Deckmount WITH Pop-up	TUF-TECK®	27T5			



SPOUT		OUTLET		HANDLE	
0	<input type="checkbox"/>	0	<input type="checkbox"/>	0	<input type="checkbox"/>
1	203mm (8") Wallform (S2) Swing Spout (2) <input type="checkbox"/>	1	<input type="checkbox"/>	1	Five Flute Handles <input type="checkbox"/>
2	203mm (8") Tubular (S5) Swing Spout (2) <input type="checkbox"/>	2	Vandal Resistant 1.5 USGPM (5.7 L/min.) Laminar w/Agion® Antimicrobial <input type="checkbox"/>	2	102mm (4") Hooded Blade Handles (5) <input type="checkbox"/>
3	152mm (6") Tubular (S3) Swing Spout (2) <input type="checkbox"/>	3	Vandal Resistant 1.5 USGPM (5.7 L/min.) Flow Control Aerator <input type="checkbox"/>	3	76mm (3") Lever Blade Handles (5) <input type="checkbox"/>
4	<input type="checkbox"/>	4	Standard 1.5 USGPM (5.7 L/min.) Flow Control Aerator <input type="checkbox"/>	4	102mm (4") Blade Handles, Sanitary Hoods (5) <input type="checkbox"/>
5	<input type="checkbox"/>	5	Vandal Resistant 0.5 USGPM (1.9 L/min.) Flow Control Non-Aerating Spray Outlet <input type="checkbox"/>	5	152mm (6") Wrist Handles, Sanitary Hoods <input type="checkbox"/>
6	<input type="checkbox"/>	6	Hose Thread Outlet <input type="checkbox"/>	6	<input type="checkbox"/>
7	<input type="checkbox"/>	7	Smooth End, Laminar Flow Control in Base of Gooseneck Spout 1.1 USGPM (4.2L/min.) (3) <input type="checkbox"/>	7	<input type="checkbox"/>
8	Heavy Duty 114mm (4 1/2") Bend Rigid/Swivel (R2) Gooseneck Spout (1) (4) <input type="checkbox"/>	8	<input type="checkbox"/>	8	<input type="checkbox"/>
9	Heavy Duty 152mm (6") Bend Rigid/Swivel (R4) Gooseneck Spout (1) (4) <input type="checkbox"/>	9	<input type="checkbox"/>	9	<input type="checkbox"/>

(1) See Page 9.C.1 for **Optional Rigid/Swivel Spouts**. These spouts can ONLY be added to **SPOUT Option No. 9**. Note: Use this page front and back as a product submittal sheet. Flowrates are at 60 PSI.
 (2) See Page 9.C.2 for **Optional Swing Spouts**. These spouts can ONLY be added to **SPOUT Option No. 2**. Refer to www.specselect.com for individual models.
 (3) This outlet can ONLY be added to **SPOUT Option No.'s 8 or 9**. (4) 120° Limited Swing Spout Available. Add Suffix **-LS**. (5) H & C Temperature Indicator Available. Add Suffix **-TI**.

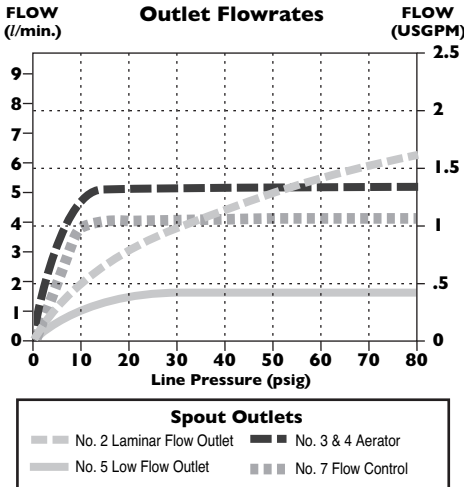
Delta reserves the right (1) to make changes in specifications and materials, and (2) to change or discontinue models, both without notice or obligation. Dimensions are for reference only. See current full-line price book or www.specselect.com for finish options and product availability.

Approvals:

- CSA certified
 - Complies to ASME A112.18.1
 - Lever Handle No. 2, 3, 4, and 5 ADA Compliant and meets Handicapped Accessibility Standard ASME A117.1 of less than 5 lbs. operating force.
 - IAPMO listed
- (Contact Delta Representative for State and/or Local Approvals.)

HANDLE TEMPERATURE INDICATORS

- Add suffix **"-TI"** to Product Number for handle temperature indicators "H" (red), "C" (blue). Available on handle options 2, 3 or 4 only.


FLOWRATE vs PRESSURE


See Page 9.C.1 for additional optional spouts.

GOOSENECK SPOUT ASSEMBLY #8

SPOUT/OUTLET	"A"		"C"		"L"	
	mm	in.	mm	in.	mm	in.
Gooseneck-Standard (R2) for outlets #2, 3, 4, 5, 6	114	4.5	104	4.1	170	6.7
Gooseneck-Standard (R2) for outlet #7	114	4.5	97	3.8	178	7.0

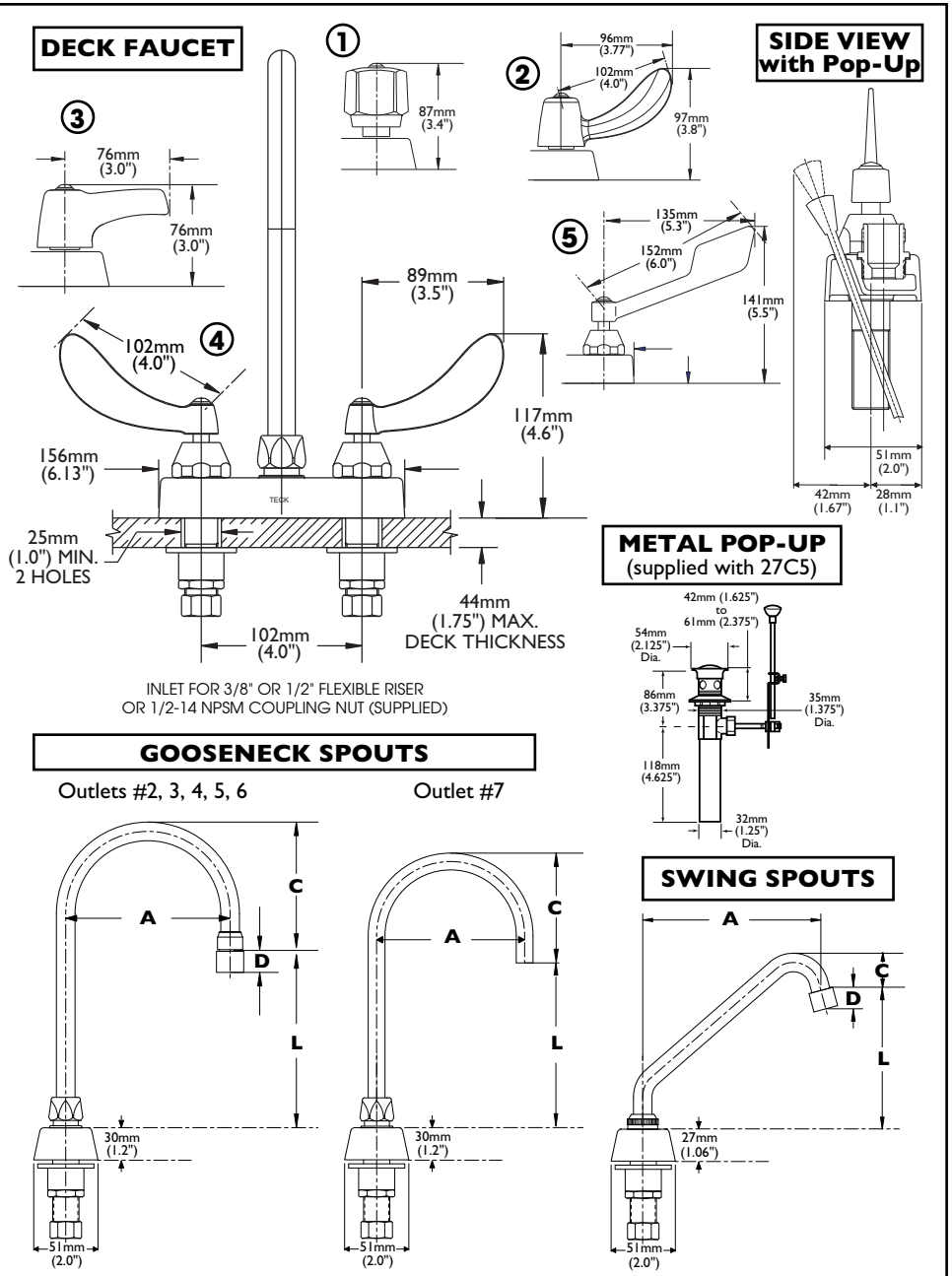
GOOSENECK SPOUT ASSEMBLY #9

SPOUT/OUTLET	"A"		"C"		"L"	
	mm	in.	mm	in.	mm	in.
Gooseneck-Standard (R4) for outlets #2, 3, 4, 5, 6	152	6	124	4.9	146	5.8
Gooseneck-Standard (R4) for outlet #7	152	6	117	4.6	152	6.0

INLETS - 1/2" MIP/Coupling Nuts

Note: Measurements may vary ± 6mm (0.25")

Refer to www.specselect.com for individual models.



See Page 9.C.2 for additional optional spouts.

SWING SPOUT ASSEMBLIES

Spout No.	SPOUT TYPE	"A"		"C"		"L"	
		mm	in.	mm	in.	mm	in.
1	8" Wallform Spout (S2)	206	8.1	15	0.6	130	5.1
2	8" Tubular Spout (S5)	185	7.3	41	1.6	147	5.8
3	6" Tubular Spout (S3)	140	5.5	38	1.5	107	4.2

OUTLET NO.	"D"	
	mm	in.
2	18	0.69
3	18	0.69
4	17	0.67
5	18	0.69
6	17	0.67

LIMITED SWING GOOSENECK

- Add suffix **"-LS"** to Product Number for 120° Limited Swing

Note: Use this page front and back as a product submittal sheet.