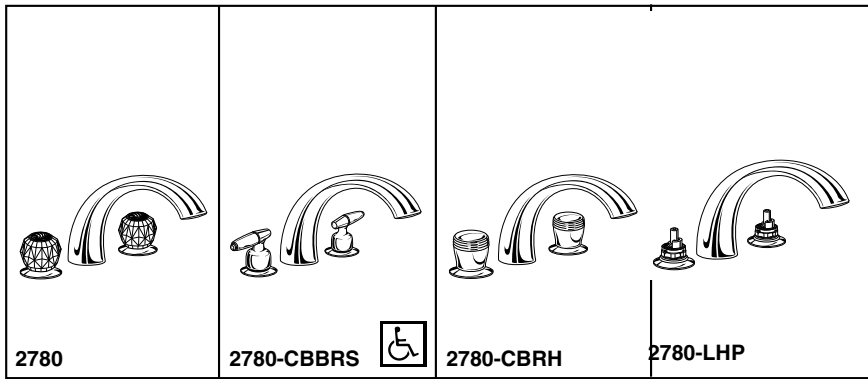


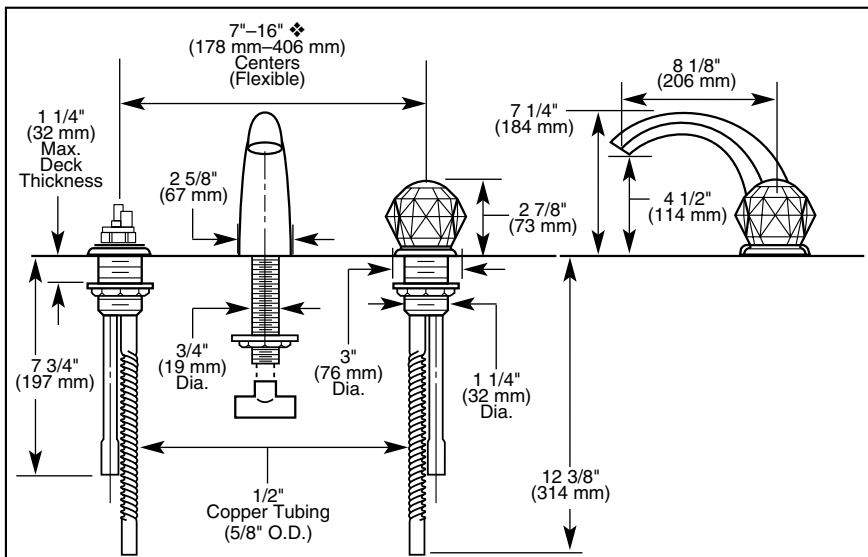


BATH VALVES

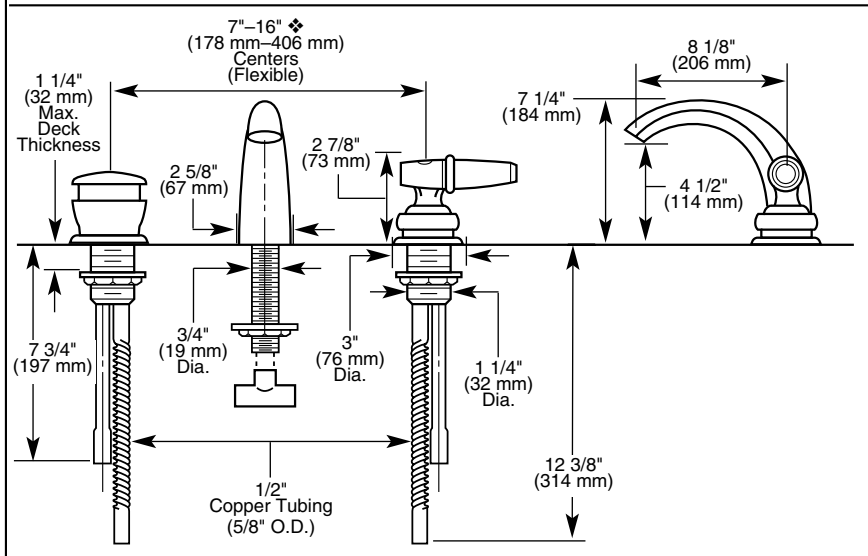
- Two Handle C-Spout Roman Tub Faucet
- Complete Trim and Rough
- Three Hole Installation
- Flexible Widespread Mount on Deck or Ledge
- 8 1/8" (206 mm) Long, 7 1/4" (184 mm) High Rigid Slip-On Spout
- Temperature and Volume Controlled with Handles



Submitted Model No.: _____
 Specific Features: _____



2780/2780-LHP



2780-CBBS/2780-CBRH

❖ For Lever Handles Use 10"-16" Centers.

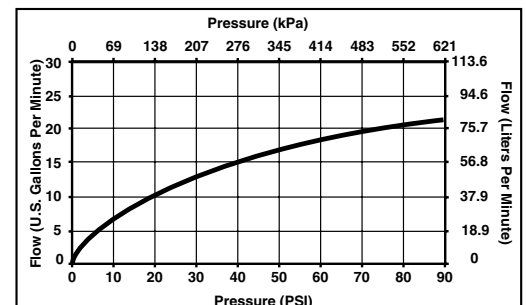


COMPLIES WITH:

- ASME A112.18.1
- CSA B125
- ❖ Indicates ADA compliance to CABO/ANSI A117.1
- CSA Certified
- IAPMO Listed

STANDARD SPECIFICATIONS:

- Two handle Roman Tub faucet for concealed mounting.
- Clear knob handles with red/blue indicators, lever handles, ring handles or LHP—Less Handle Program. See available handle options on back.
- Flexible widespread mount on deck or ledge.
- Solid fabricated brass end valves and spout body.
- 8 1/8" (206 mm) long, 7 1/4" (184 mm) high rigid slip-on spout.
- 5/8" O.D. copper inlet supply tubes.
- 5/8" O.D. corrugated copper supply outlet tubes.
- Control mechanism shall be of the rotating cylinder type with stainless steel plate and 180° rotation, with replaceable non-metallic seats operating in stainless steel lined sockets.
- Hot and cold stems are interchangeable.
- Temperature and volume controlled with handles.
- All operating parts shall be replaceable from the top.
- Conventional rough-in adjusts to 1 1/4" (32 mm) maximum deck thickness.



| Standard Features | 2780 | 2780-CBBRS | 2780-CBLHP | 2780-CBRH | 2780-LHP | 2780-PB | 2780-PBLHP | 2780-WHLHP |
|---|------------|------------|------------|-----------|----------|---------|------------|------------|
| | Washerless | ◆ | ◆ | ◆ | ◆ | ◆ | ◆ | ◆ |
| Three Hole Installation | ◆ | ◆ | ◆ | ◆ | ◆ | ◆ | ◆ | ◆ |
| Flexible Widespread Mount on Deck or Ledge | ◆ | ◆ | ◆ | ◆ | ◆ | ◆ | ◆ | ◆ |
| Conventional Rough-In—Adjusts to 1 1/4" (32 mm) Maximum Deck Thickness | ◆ | ◆ | ◆ | ◆ | ◆ | ◆ | ◆ | ◆ |
| 8 1/8" (206 mm) Long, 7 1/4" (184 mm) High Slip-On Rigid Spout | ◆ | ◆ | ◆ | ◆ | ◆ | ◆ | ◆ | ◆ |
| Stream Straightener | ◆ | ◆ | ◆ | ◆ | ◆ | ◆ | ◆ | ◆ |
| Clear Knob Handles with Red/Blue Indicators (H61▲) | ◆ | | | | | ◆ | | |
| Brass Lever Handles (H62/A62PB) | | ♿ | | | | | | |
| Ring Handles (H63/A63PB) | | | ◆ | | | | | |
| Less Handle Program—See Handle Kit Options* | | | ◆ | | ◆ | | ◆ | ◆ |
| 3" (76 mm) Diameter Handle Bases | ◆ | ◆ | ◆ | ◆ | ◆ | ◆ | ◆ | ◆ |
| 5/8" O.D. Copper Supply Inlet Tubes | ◆ | ◆ | ◆ | ◆ | ◆ | ◆ | ◆ | ◆ |
| 5/8" O.D. Corrugated Copper Supply Outlet Tubes | ◆ | ◆ | ◆ | ◆ | ◆ | ◆ | ◆ | ◆ |
| Chrome Finish | ◆ | | | | ◆ | | | |
| Chrome and <i>Brilliance</i> ® Polished Brass Finish | | ◆ | ◆ | ◆ | | | | |
| <i>Brilliance</i> ® Polished Brass Finish | | | | | | ◆ | ◆ | |
| White Finish | | | | | | | | ◆ |

Available Options for Field Conversion:

- NOTE: Standard handle base is 3" (76 mm) diameter.
- Optional 2 1/2" (64 mm) diameter base with gasket. Cannot be used with RP18235 thick deck rough-in. Order RP18300▲.
- Optional 2 5/8" (67 mm) diameter decorative base with gasket. Order RP23094▲.
- Roman Tub hand showers, bath waste assemblies and bath accessories are available separately.

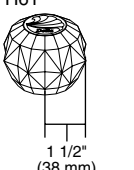
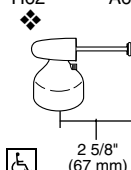
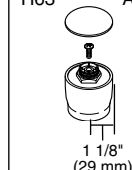
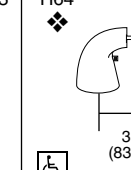
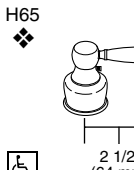
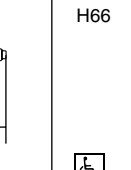
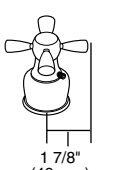
▲ Designate proper finish suffix.

Installation Aids:








- The Helpful Hand for 4" (102 mm) to 16" (406 mm) centers—aligns widespread handles. Order RP22132.
- Thick tile mounting aid—adds 1" (25 mm) to RP18227 only. Order RP18504 or RP11099 (bulk).
- Thick tile installation aid for RP18227 only. Rigid plastic template installs on deck prior to mud/tile. Order RP27972 or RP28009 (bulk).
- 10" fixed conventional rough-in adjusts to 1 1/4" (32 mm) maximum deck thickness. Order RP23601.
- Thick tile rough-in—mounts to deck prior to mud and tile—adjusts to 3 1/4" (83 mm) maximum deck thickness. Requires RP16867 wrench to adjust. Order RP18235.
- End valve adjustment wrench (for RP18227 and RP18235 rough-in kits). Order RP16867.

***Available LHP Handle Options**

❖ For Lever Handles Use 10"-16" Centers.

| | | | |
|--|---|---|---|
|  <p>H61 1 1/2" (38 mm)</p> |  <p>H62 A62 2 5/8" (67 mm)</p> |  <p>H63 A63 1 1/8" (29 mm)</p> |  <p>H64 A64 3 1/4" (83 mm)</p> |
|  <p>H65 2 1/2" (64 mm)</p> |  <p>H66 1 7/8" (48 mm)</p> |  <p>H67 1 3/8" (35 mm)</p> | |

***Available LHP Handle Accent Options**

| | |
|--|--|
|  A62CL |  A63ST |
|  A62, A62AB, A62AL, A62PB, A62PR, A62WH |  A64CL |
|  A62OK |  A64, A64AL, A64PB, A64WH |
|  A63, A63PB, A63WH | |



Indianapolis, Indiana 46280
A Division of Masco Corporation of Indiana
© 2003 Masco Corporation of Indiana