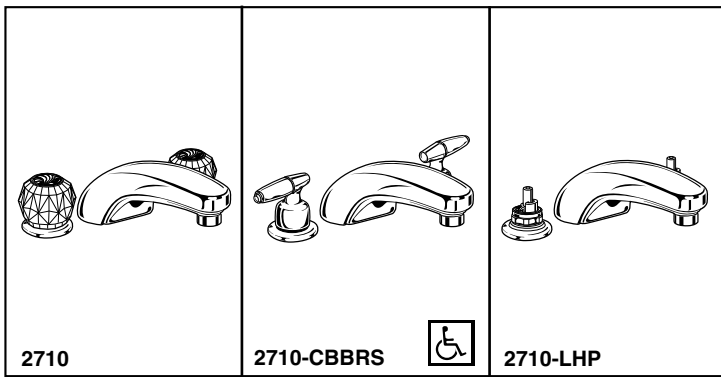




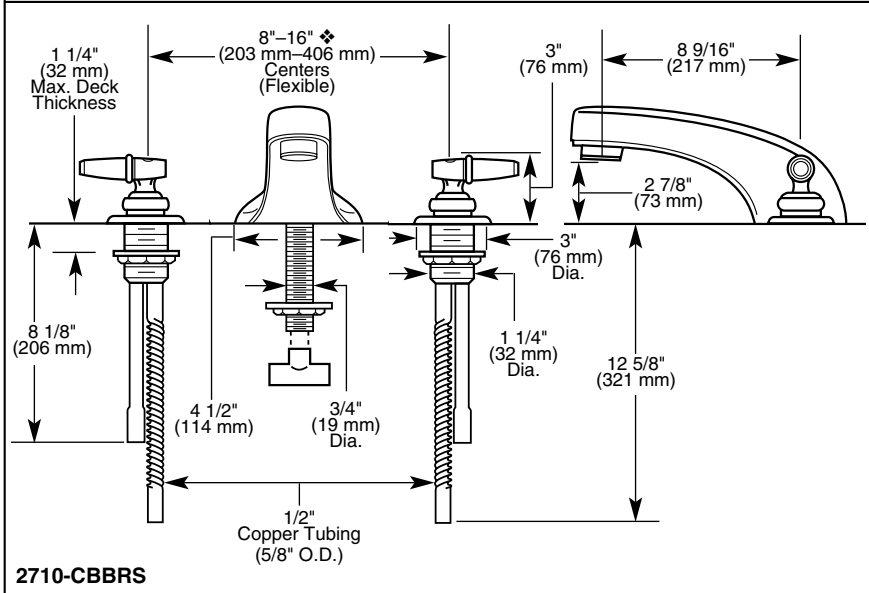
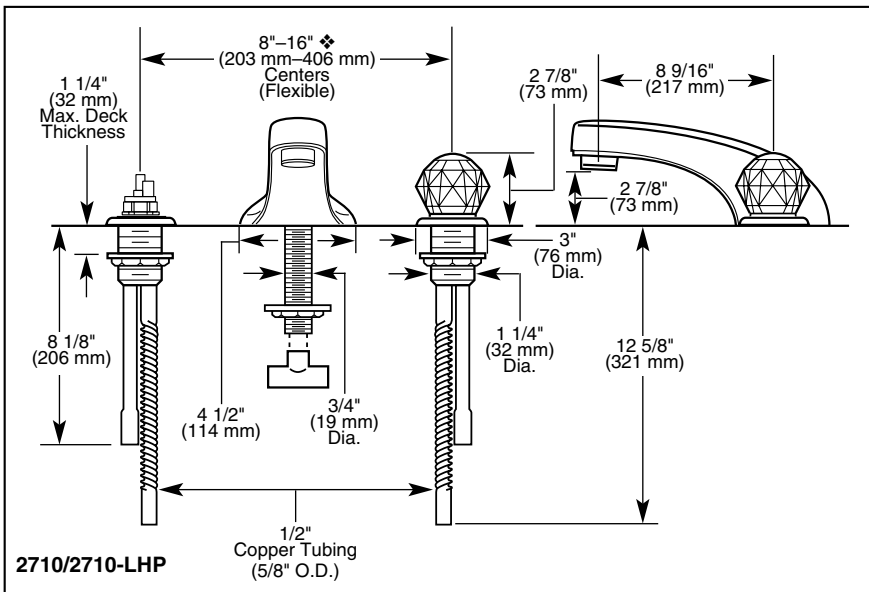
# BATH VALVES

- Two Handle Roman Tub Faucet
- Complete Trim and Rough
- Three Hole Installation
- Flexible Widespread Mount on Deck or Ledge
- 8 9/16" (217 mm) Long Rigid Slip-On Spout
- Temperature and Volume Controlled with Handles



Submitted Model No.: \_\_\_\_\_

Specific Features: \_\_\_\_\_



❖ For Lever Handles Use 10"-16" Centers.

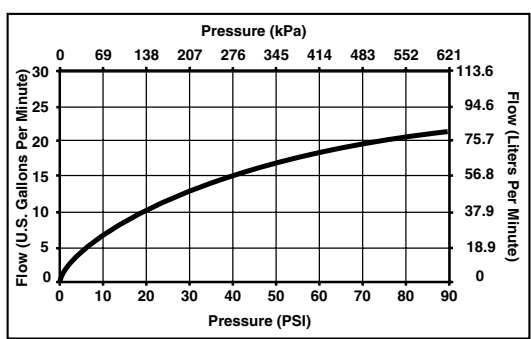


**COMPLIES WITH:**

- ASME A112.18.1
- CSA B125
- ❖ Indicates ADA compliance to CABO/ANSI A117.1
- CSA Certified
- IAPMO Listed

**STANDARD SPECIFICATIONS:**

- Two handle Roman Tub faucet for concealed mounting.
- Clear knob handles with red/blue indicators, lever handles or LHP-Less Handle Program. See available handle options on back.
- Flexible widespread mount on deck or ledge.
- Solid fabricated brass end valves and spout body.
- 8 9/16" (217 mm) long slip-on rigid spout.
- 5/8" O.D. copper inlet supply tubes.
- 5/8" O.D. corrugated copper supply outlet tubes.
- Control mechanism shall be of the rotating cylinder type with stainless steel plate and 180° rotation, with replaceable non-metallic seats operating in stainless steel lined sockets.
- Hot and cold stems are interchangeable.
- Temperature and volume controlled with handles.
- All operating parts shall be replaceable from the top.
- Conventional rough-in adjusts to 1 1/4" (32 mm) maximum deck thickness.



Standard Features	2710	2710-AB	2710-ABLHP	2710-CBBRS	2710-CBLHP	2710-LHP	2710-PB	2710-PBLHP	2710-WH	2710-WHLHP
Washerless	◆	◆	◆	◆	◆	◆	◆	◆	◆	◆
Three Hole Installation	◆	◆	◆	◆	◆	◆	◆	◆	◆	◆
Flexible Widespread Mount on Deck or Ledge	◆	◆	◆	◆	◆	◆	◆	◆	◆	◆
Conventional Rough-In—Adjusts to 1 1/4" (32 mm) Maximum Deck Thickness	◆	◆	◆	◆	◆	◆	◆	◆	◆	◆
8 9/16" (217 mm) Long Rigid Slip-On Spout	◆	◆	◆	◆	◆	◆	◆	◆	◆	◆
Stream Straightener	◆	◆	◆	◆	◆	◆	◆	◆	◆	◆
Clear Knob Handles with Red/Blue Indicators (H61/H61PB)	◆	◆					◆		◆	
Brass Lever Handles (H62/A62PB)				♿						
Less Handle Program—See Handle Kit Options*			◆		◆	◆		◆		◆
3" (76 mm) Diameter Handle Bases	◆	◆	◆	◆	◆	◆	◆	◆	◆	◆
5/8" O.D. Copper Supply Inlet Tubes	◆	◆	◆	◆	◆	◆	◆	◆	◆	◆
5/8" O.D. Corrugated Copper Supply Outlet Tubes	◆	◆	◆	◆	◆	◆	◆	◆	◆	◆
Chrome Finish	◆					◆				
Antique Brass Finish		◆	◆							
Chrome and <i>Brilliance</i> ® Polished Brass Finish				◆	◆					
<i>Brilliance</i> ® Polished Brass Finish							◆	◆		
White Finish									◆	◆

**Available Options for Field Conversion:**

- NOTE: Standard handle base is 3" (76 mm) diameter.
- Optional 2 1/2" (64 mm) diameter base with gasket. Cannot be used with RP18235 thick deck rough-in. Order RP18300▲.
- Optional 2 5/8" (67 mm) diameter decorative base with gasket. Order RP23094▲.
- Roman Tub hand showers, bath waste assemblies and bath accessories are available separately.

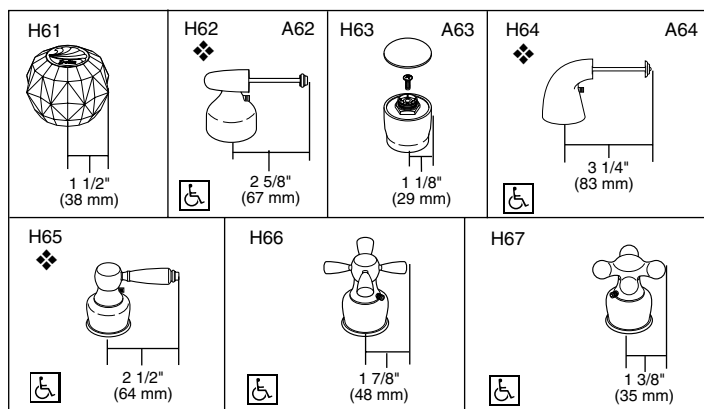
▲ Designate proper finish suffix.

**Installation Aids:**

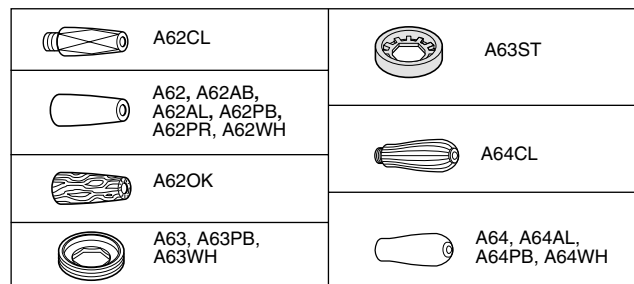
- The Helpful Hand for 4" (102 mm) to 16" (406 mm) centers—aligns widespread handles. Order RP22132.
- Thick tile mounting aid—adds 1" (25 mm) to RP18227 only. Order RP18504 or RP11099 (bulk).
- Thick tile installation aid for RP18227 only. Rigid plastic template installs on deck prior to mud/tile. Order RP27972 or RP28009 (bulk).
- 10" fixed conventional rough-in adjusts to 1 1/4" (32 mm) maximum deck thickness. Order RP23601.
- Thick tile rough-in—mounts to deck prior to mud and tile—adjusts to 3 1/4" (83 mm) maximum deck thickness. Requires RP16867 wrench to adjust. Order RP18235.
- End valve adjustment wrench (for RP18227 and RP18235 rough-in kits). Order RP16867.

**\*Available LHP Handle Options**

❖ For Lever Handles Use 10"-16" Centers.



**\*Available LHP Handle Accent Options**



Indianapolis, Indiana 46280  
A Division of Masco Corporation of Indiana  
© 2003 Masco Corporation of Indiana