

# Cast Deckmount Sink Faucets 8" Centers

TECK®

DELTA  
COMMERCIAL

**Specification: (example)**

- **HEAVY DUTY CAST BRASS** sink faucet
- 203mm (8") center two handle
- Polished chrome plated finish
- **BRASS** swing spout or 3/8" IPS **BRASS PIPE** Rigid/Swivel Gooseneck Spout
- Metal hold-down package
- Color indexed metal handles with vandal resistant screws and ... with ... (add **CER-TECK®** 1/4 turn ceramic structures or **TUF-TECK®** compression structures)
- with ... (add spout required)
- with ... (add outlet required)
- with ... (add handle required)
- with ... (add suffix **-LS** if required – See Back Page)
- with ... (add suffix **-TI** if required – See Back Page)

26C3944  
26T3944



26C3133  
26T3133

**Engineer/Architect Approval**













Model Specified:

Approval:

Date:

DESCRIPTION	PRODUCT NO.			
CAST Deckmount	CER-TECK®	26C3		
	TUF-TECK®	26T3		



SPOUT		OUTLET		HANDLE	
0	<input type="checkbox"/>	0	<input type="checkbox"/>	0	<input type="checkbox"/>
1	203mm (8") Wallform (S2) Swing Spout (2)  <input type="checkbox"/>	1	<input type="checkbox"/>	1	Five Flute Handles  <input type="checkbox"/>
2	203mm (8") Tubular (S5) Swing Spout (2)  <input type="checkbox"/>	2	Vandal Resistant 1.5 USGPM (5.7 L/min.) Laminar w/Agion® Antimicrobial  <input type="checkbox"/>	2	102mm (4") Hooded Blade Handles (5)  <input type="checkbox"/>
3	<input type="checkbox"/>	3	Vandal Resistant 1.5 USGPM (5.7 L/min.) Flow Control Aerator  <input type="checkbox"/>	3	76mm (3") Lever Blade Handles (5)  <input type="checkbox"/>
4	<input type="checkbox"/>	4	Standard 1.5 USGPM (5.7 L/min.) Flow Control Aerator  <input type="checkbox"/>	4	102mm (4") Blade Handles, Sanitary Hoods (5)  <input type="checkbox"/>
5	<input type="checkbox"/>	5	<input type="checkbox"/>	5	152mm (6") Wrist Handles, Sanitary Hoods  <input type="checkbox"/>
6	<input type="checkbox"/>	6	<input type="checkbox"/>	6	<input type="checkbox"/>
7	<input type="checkbox"/>	7	Smooth End, Laminar Flow Control in Base of Gooseneck Spout 1.1 USGPM (4.2L/min.) (3)  <input type="checkbox"/>	7	<input type="checkbox"/>
8	<input type="checkbox"/>	8	<input type="checkbox"/>	8	<input type="checkbox"/>
9	Heavy Duty 152mm (6") Bend Rigid/Swivel (R4) Gooseneck Spout (1) (4)  <input type="checkbox"/>	9	<input type="checkbox"/>	9	<input type="checkbox"/>

(1) See Page 9.C.1 for **Optional Rigid/Swivel Spouts**. These spouts can ONLY be added to **SPOUT Option No. 9**. (5) H & C Temperature Indicator Available, Add Suffix **-TI**. Flowrates are at 60 PSI.  
 (2) See Page 9.C.2 for **Optional Swing Spouts**. These spouts can ONLY be added to **SPOUT Option No. 2**. Refer to [www.specselect.com](http://www.specselect.com) for individual models.  
 (3) This outlet can ONLY be added to **SPOUT Option No. 9**. (4) 120" Limited Swing Spout Available. Add Suffix **-LS**. Note: Use this page front and back as a product submittal sheet.

Delta reserves the right (1) to make changes in specifications and materials, and (2) to change or discontinue models, both without notice or obligation. Dimensions are for reference only. See current full-line price book or [www.specselect.com](http://www.specselect.com) for finish options and product availability.

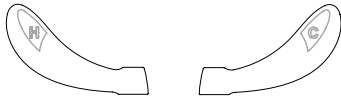
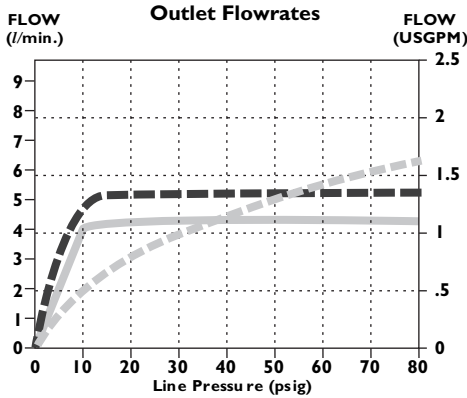
**Approvals:**

- CSA certified
- Complies to ASME A112.18.1
- Lever Blade Handles No. 2, 3, 4, and 5, ADA Compliant and meet Handicapped Accessibility Standard ASME A117.1 of less than 5 lbs. operating force.
- IAPMO listed

(Contact Delta Representative for State and/or Local Approvals.)

**HANDLE TEMPERATURE INDICATORS**

- Add suffix **"-TI"** to Product Number for handle temperature indicators "H" (red), "C" (blue). Available on handle options 2, 3, or 4 only.


**FLOWRATE vs PRESSURE**


**Spout Outlets**

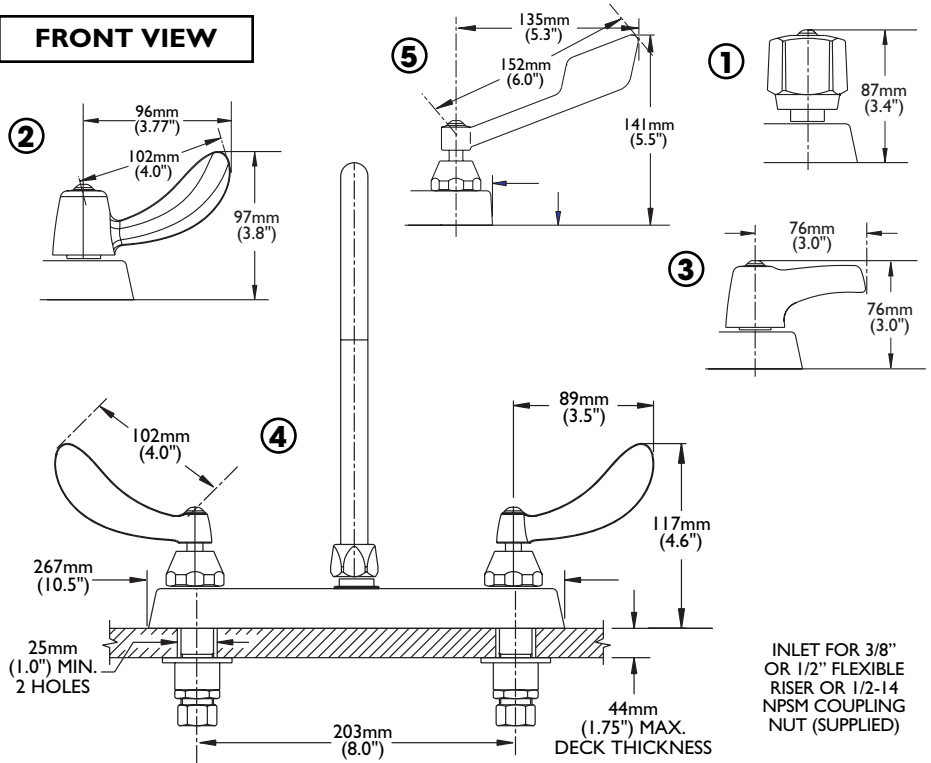
- No. 3 & 4 Aerator
- No. 2 Laminar Flow Outlet
- No. 7 Flow Control

OUTLET NO.	"D"	
	mm	in.
2	18	0.69
3	18	0.69
4	17	0.67

**LIMITED SWING GOOSENECK**

- Add suffix **"-LS"** to Product Number for 120° Limited Swing

**INLETS - 1/2" MIP/Coupling Nuts**  
Note: Measurements may vary ± 6mm (0.25")

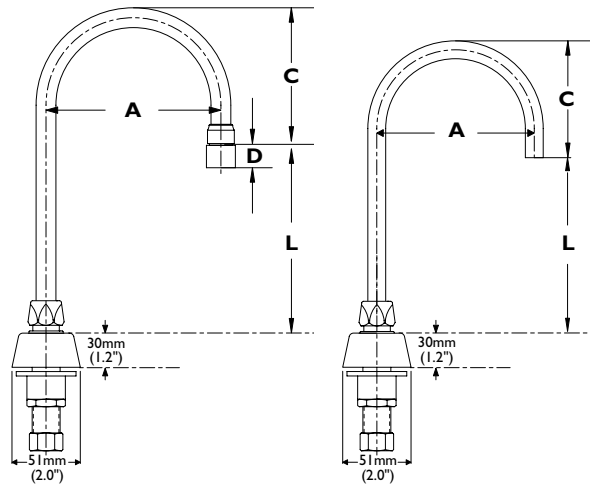
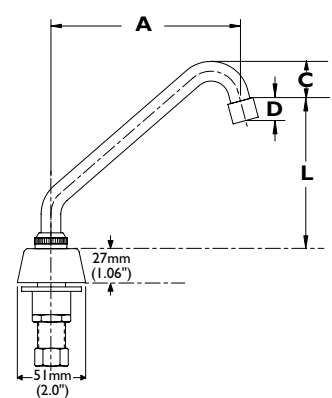
**FRONT VIEW**


INLET FOR 3/8" OR 1/2" FLEXIBLE RISER OR 1/2-14 NPSM COUPLING NUT (SUPPLIED)

**GOOSENECK SPOUT**

Outlets #2, 3, 4

Outlet #7


**SWING SPOUT**

**GOOSENECK SPOUT ASSEMBLIES**

SPOUT/OUTLET	"A"		"C"		"L"	
	mm	in.	mm	in.	mm	in.
Gooseneck-Standard (R4) for outlets #2, 3, 4	152	6	124	4.9	146	5.8
Gooseneck-Standard (R4) for outlets #7	152	6	117	4.6	152	6.0

**SWING SPOUT ASSEMBLIES**

Spout No.	SPOUT TYPE	"A"		"C"		"L"	
		mm	in.	mm	in.	mm	in.
1	8" Wallform Spout (S2)	206	8.1	15	0.6	130	5.1
2	8" Tubular Spout (S5)	185	7.3	41	1.6	147	5.8

See Page 9.C.1 for additional optional spouts.

See Page 9.C.2 for additional optional spouts.

Refer to [www.specselect.com](http://www.specselect.com) for individual models.

Note: Use this page front and back as a product submittal sheet.