

see what Delta can do™

LAVATORY FAUCET

- Modern series
- Single Handle Deck Mount

STANDARD SPECIFICATIONS:

- Max flow rate 1.2 gpm @ 60 psi, 4.5 L/min @ 414 kPa
- GPM models provide 1.0 gpm @ 60 psi, 3.8 L/min @ 414 kPa
- HGM models provide 0.5 gpm @ 60 psi, 1.9 L/min @ 414 kPa
- One or three hole mount (Escutcheon optional, not included)
- Control mechanism is the ceramic disc cartridge
- Red/blue indicator markings
- Solid brass body
- Lift rod hole plug sold separately (RP78360)
- 1/4" threaded stud mounting
- Models have 50/50 pop-up type fitting with plated flange and stopper
- Models with suffix "MPU" have metal drain with pop-up type fitting with plated flange and stopper

WARRANTY

- Lifetime limited warranty on parts (other than electronic parts and batteries) and finishes; or, for commercial users, for 5 years from the date of purchase.
- 5 year limited warranty on electronic parts (other than batteries); or for commercial users, for 1 year from the date of purchase. No warranty is provided on batteries



COMPLIES WITH:

- ASME A112.18.1 / CSA B125.1
- ASME A112.18.2 / CSA B125.2

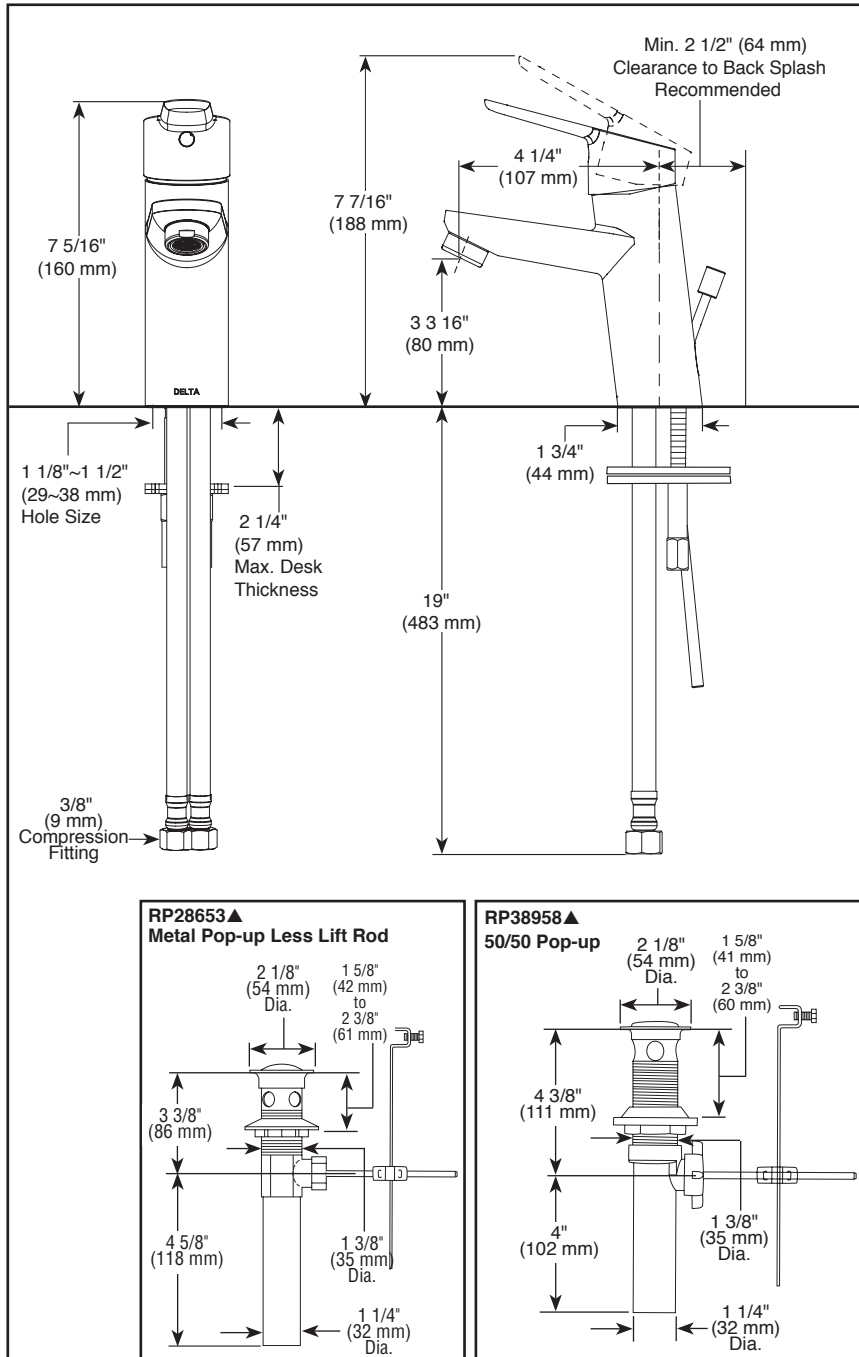
Indicates compliance to ICC / ANSI A117.1

* EPA WaterSense®

- Verified compliant with 0.25% weighted average Pb content regulations

Submitted Model No.: _____

Specific Features: _____



▲ Designate proper finish suffix

Delta reserves the right (1) to make changes in specifications and materials, and (2) to change or discontinue models, both without notice or obligation. Dimensions are for reference only. See current full-line price book or www.deltafaucet.com for finish options and product availability.

DSP-L-573LF-PP Rev. C

Delta Faucet Company

55 E. 111th Street, Indianapolis, IN 46280
 350 South Edgeware Road, St. Thomas, ON N5P 4L1
 © 2017 Delta Faucet Company