




## Lavatory Faucets

Single Control Widespread faucet w/Heavy Duty Rigid/Swivel Gooseneck Spout

### Model No: 24T2643

#### COMPLIES WITH:

- CSA certified
- Complies to ASME A112.18.1/CSA B125.1
- For commercial use only
-  Indicates compliance to ICC/ANSI A117.1
- Verified compliant with 0.25% weighted average Pb content regulations
- Outlet options 2, 3, 4 and 7 are EPA WaterSense listed
- (Contact Delta Representative for State and/or Local Approvals)



#### SPECIFICATION:

- Widespread single control faucet
- 102 to 406mm (4-16") adjustable centers
- Polished chrome plated finish
- Delta washerless stainless steel ball cartridge
- High temperature limit stop
- Metal trim
- 3/8" IPS Brass Pipe Rigid/Swivel Gooseneck spout
- Spout: R2 - Gooseneck spout-4.5" spout reach -Standard rigid/swivel field installation-Vandal resistant .090" wall thickness(R2)
- Outlet#: 4 - Standard 1.5 GPM (5.7 L/Min) Flow Control Aerator
- Handle#: 3 - 152 mm (6") Lever Blade Handle-Metal- ADA compliant-Color indexed-Vandal resistant with set screw

#### OPERATION:

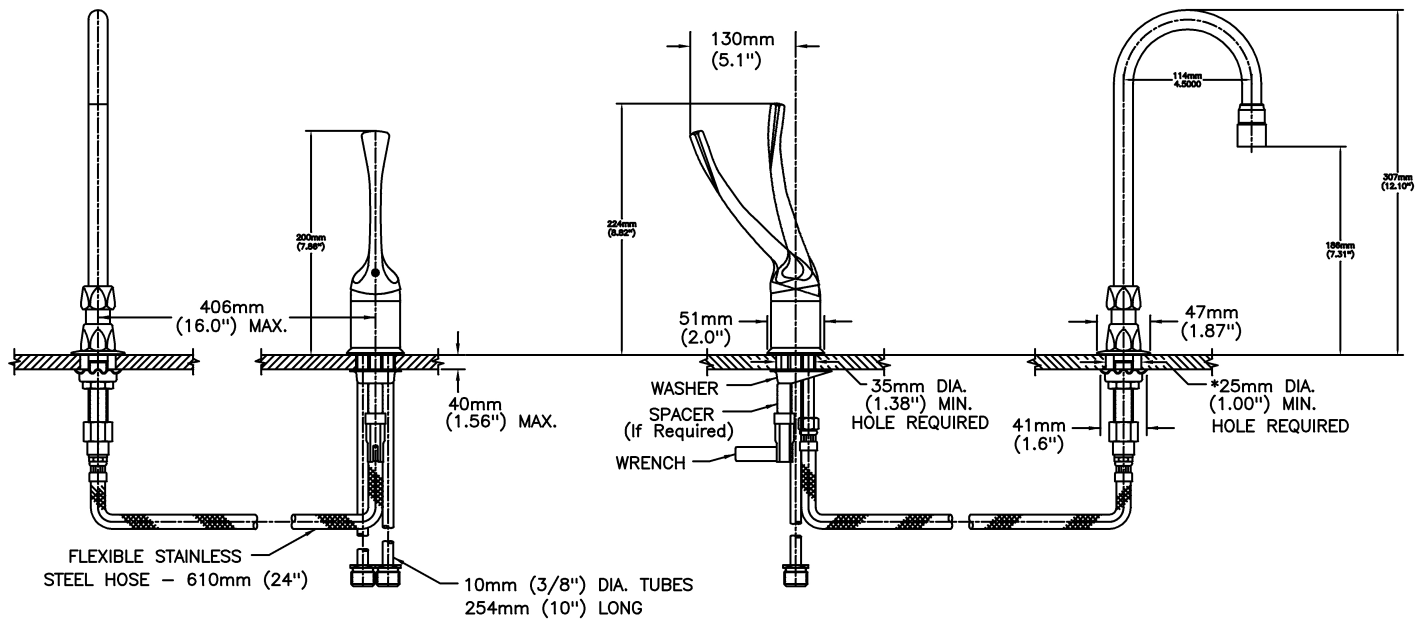
- Not Available

***(Dimensional drawing on following page)***

Delta reserves the right (1) to make changes to specifications and materials, and (2) to change or discontinue models, both without notice or obligation. Dimensions are for reference. Measurement may vary plus or minus 6mm(0.25"). Mounting locations are suggested only. Check with local codes for requirements in your area. This spec was produced April 14, 2021.

Delta Faucet Company - 55 East 111th St. - Indianapolis, Indiana, USA 46280 - (317) 848-1812  
Delta Faucet Canada - 395 Matheson Blvd E - Mississauga, Ontario, Canada L4Z 2H2 - (905) 712-3030

Model No: 24T2643



\* SPOUT HOLE 38mm (1.5") MAXIMUM DIAMETER  
 INLET FOR 3/8" OR 1/2" FLEXIBLE RISER  
 OR 1/2-14 NPSM COUPLING NUT (NOT SUPPLIED)

Delta reserves the right (1) to make changes to specifications and materials, and (2) to change or discontinue models, both without notice or obligation. Dimensions are for reference. Measurement may vary plus or minus 6mm(0.25"). Mounting locations are suggested only. Check with local codes for requirements in your area. This spec was produced April 14, 2021.

Delta Faucet Company - 55 East 111th St. - Indianapolis, Indiana, USA 46280 - (317) 848-1812  
 Delta Faucet Canada - 395 Matheson Blvd E - Mississauga, Ontario, Canada L4Z 2H2 - (905) 712-3030