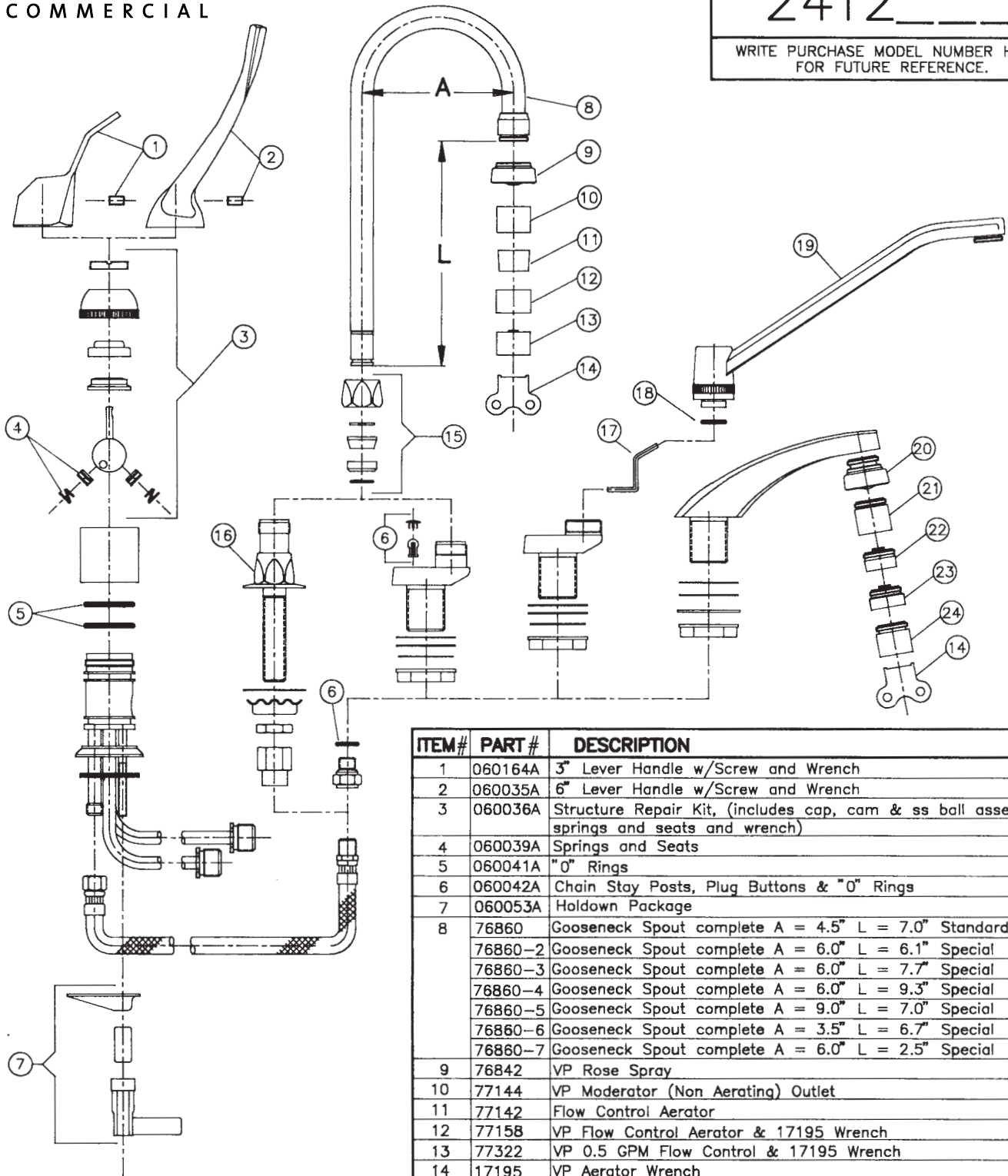


24T2\_\_\_\_\_

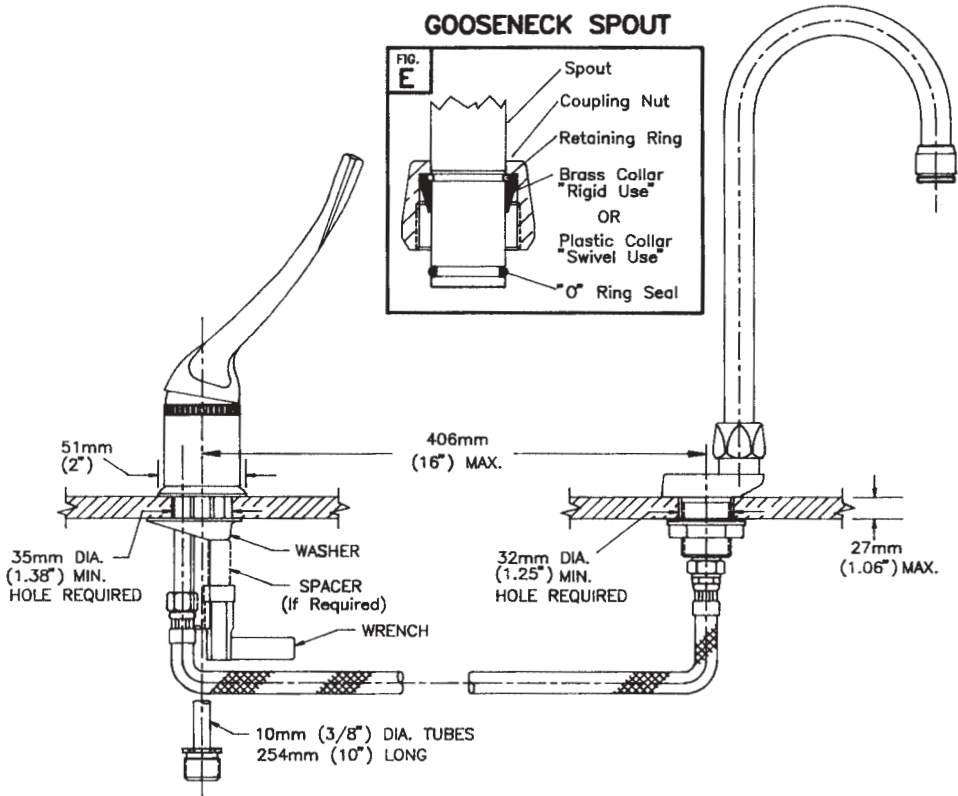
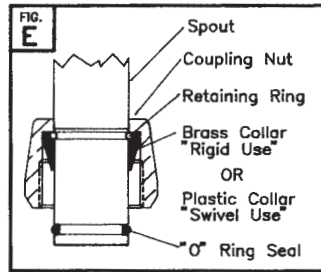
WRITE PURCHASE MODEL NUMBER HERE FOR FUTURE REFERENCE.



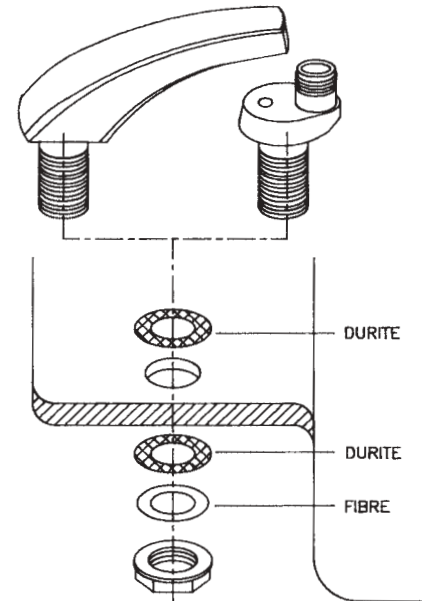
ITEM #	PART #	DESCRIPTION
1	060164A	3" Lever Handle w/Screw and Wrench
2	060035A	6" Lever Handle w/Screw and Wrench
3	060036A	Structure Repair Kit, (includes cap, cam & ss ball assemblies, springs and seats and wrench)
4	060039A	Springs and Seats
5	060041A	"O" Rings
6	060042A	Chain Stay Posts, Plug Buttons & "O" Rings
7	060053A	Holddown Package
8	76860	Gooseneck Spout complete A = 4.5" L = 7.0" Standard
	76860-2	Gooseneck Spout complete A = 6.0" L = 6.1" Special
	76860-3	Gooseneck Spout complete A = 6.0" L = 7.7" Special
	76860-4	Gooseneck Spout complete A = 6.0" L = 9.3" Special
	76860-5	Gooseneck Spout complete A = 9.0" L = 7.0" Special
	76860-6	Gooseneck Spout complete A = 3.5" L = 6.7" Special
	76860-7	Gooseneck Spout complete A = 6.0" L = 2.5" Special
9	76842	VP Rose Spray
10	77144	VP Moderator (Non Aerating) Outlet
11	77142	Flow Control Aerator
12	77158	VP Flow Control Aerator & 17195 Wrench
13	77322	VP 0.5 GPM Flow Control & 17195 Wrench
14	17195	VP Aerator Wrench
15	060026A	Gooseneck Spout Repair Kit (includes retaining rings, "O" Rings, swivel and rigid collars, and spout nut)
16	76454-1	Deckmount "Standard" Gooseneck Spout Assembly less Aerator
17		Swing Limit Rod
18	060052A	"O" Rings
19	76536-7	8" Wallform Swing Spout Assembly Complete
20	76843-1	VP Rose Spray
21	77145	VP Moderator (Non Aerating) Outlet
22	77143	Flow Control Aerator
23	77159	VP Flow Control Aerator & 17195 Wrench
24	77323	VP 0.5 GPM Flow Control & 17195 Wrench

**LEAVE THIS INSTRUCTION SHEET WITH THE INSTALLED FAUCET !**

### GOOSENECK SPOUT

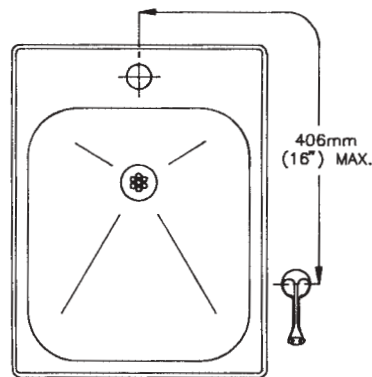


### TO INSURE A RIGID SPOUT CONNECTION

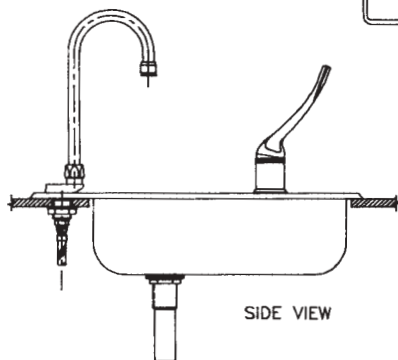


1. PLACE first DURITE (coarse woven abrasive) washer between the spout (or offset spout body) and the top of the sink.
2. INSTALL second DURITE washer against the underside of the sink between the sink and the fibre gasket.
3. TIGHTEN cast brass hex locknut very securely against the fibre gasket.

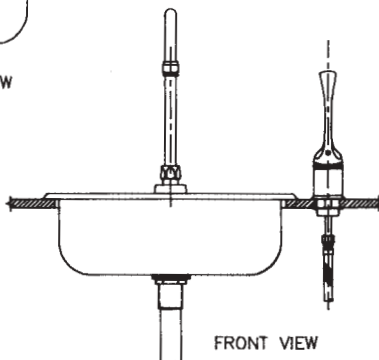
### SUGGESTED INSTALLATION FOR HANDICAP USE.



TOP VIEW



SIDE VIEW



FRONT VIEW

### HOOK-UP KIT OPTIONS

<p><b>FIG. A</b> 3/8" or 7/16" O.D. Copper Tube Supplies</p> <p>1/2" IPS Adapter</p> <p>Installer To Flare End of Tube</p> <p>Rubber Gasket</p> <p>Small I.D. Washer</p> <p>Large I.D. Washer</p> <p>Coupling Nut</p> <p>3/8" or 7/16" O.D. Copper Tube Supplies (NOT INCLUDED)</p>	<p><b>FIG. C</b> LAV. SUPPLY</p> <p>Copper Tube Supplies</p> <p>1/2" IPS Adapter</p> <p>Copper Tube Supplies (NOT INCLUDED)</p> <p>Large I.D. Washer</p> <p>Coupling Nut</p>
<p><b>FIG. B</b> 1/2" O.D. Copper Tube Supplies</p> <p>1/2" IPS Adapter</p> <p>Installer To Flare End of Tube</p> <p>Rubber Gasket</p> <p>Large I.D. Washer</p> <p>Coupling Nut</p> <p>1/2" O.D. Copper Tube Supplies (NOT INCLUDED)</p>	<p><b>FIG. D</b> T2310-2 TAIL AVAILABLE SEPERATELY</p> <p>1/2" IPS Adapter</p> <p>TAIL</p> <p>1/4" MIP</p> <p>Coupling Nut</p>

## ***INSTALLATION INSTRUCTIONS***

1. Making water connections to the water lines.  
**WARNING:** Extreme care must be used when bending faucet supply tubes to align with water supply lines. **KINKED TUBES WILL VOID THE WARRANTY.**
2. FOR HOOK-UP KIT OPTIONS "A" AND "B"  
Flare the ends of the copper tubing with a tube flaring tool, SEE illustrations.  
**CAUTION:** FAILURE TO FLARE THE WATER SUPPLY TUBE COULD ALLOW THESE TUBES TO PULL AWAY FROM THE FAUCET AND CAUSE A WATER LEAK.

## ***BEFORE INSTALLING THE SPOUT OUTLET***

Turn hot and cold supply handles to the full open position. Flush out the lines for at least one minute to clean out any construction debris (particles of solder, copper chips, pipe dope, teflon tape, etc.). After flushing shut-off water at faucet and assemble spout outlet to the faucet spout.

## ***TROUBLE SHOOTING***

### **CONDITION**

Faucet leaks from under handle.  
DO NO SHUT OFF WATER SUPPLIES.

Faucet leaks from spout outlet.  
SHUT OFF WATER SUPPLIES.

If leak persists.

If faucet leaks around spout body.  
SHUT OFF WATER SUPPLIES.

### **REMEDY**

Remove handle and tighten adjusting ring until water no longer leaks around stem when faucet is on and pressure is exerted to force ball assembly into socket. (1)

Replace seats and springs.  
- Repair Kit No. 060039A (2)

Replace ball and cam assembly.  
- Repair Kit No. 060036A (2)

Replace "O" Rings.  
- Repair Kit No. 060041A (2)  
**DO NOT USE** petroleum based lubricants on "O" Rings.

## ***HELPFUL HINTS:***

- (1) Never tighten cap assembly to stop a leak, always tighten adjusting ring.
- (2) Partially unscrew adjusting ring before attempting to remove cap assembly.  
Always install cap assemble *HAND TIGHT*, then tighten adjusting ring.

## ***MAINTENANCE***

When performing routine maintenance, do not void your warranty by installing non-genuine parts. Use only authorized Cambridge Brass parts. After any maintenance, remove the spout outlet, turn handle(s) to the full open position, and flush lines for one minute. This will remove debris from lines which can damage internal parts of faucet and create leaks. After flushing, shut off water at faucet and reassemble spout outlet.

## ***CARE INSTRUCTIONS***

This CAMBRIDGE BRASS faucet is designed & engineered in accordance with the highest quality and performance standards. With proper care it will give years of trouble free service. Care should be given to the cleaning of this product. Although its finish is extremely durable, it can be DAMAGED by ACIDIC CLEANERS (eg. cleaners designed specifically for vitreous lavatories and water closets), HARSH ABRASIVE or POLISH. To clean, simply wipe with a damp cloth and blot dry with a soft cloth.

## ***WARRANTY***

Delta Commercial Faucet Division, 420 Burbrook Place, London, Ontario, Canada N6A 4L6, warrants to the original purchaser that products manufactured by it, will be free from defects in material, finish and/or workmanship for a period of five (5) years from date shown on purchaser's invoice.

Delta Commercial Faucet Division will, at its option, repair or replace any part which proves to be defective in material and/or workmanship during the warranty period under normal installation, water and service conditions, and use. If Delta Commercial Faucet Division concludes that the returned part was manufactured by Delta Commercial Faucet Division and is, in fact, defective, then Delta Commercial Faucet Division will honour the warranty stated herein.

LABOUR CHARGES AND/OR DAMAGES INCURRED IN INSTALLATION, REPAIR OR REPLACEMENT AS WELL AS CONSEQUENTIAL, SPECIAL, INDIRECT OR PUNITIVE DAMAGES CONNECTED THEREWITH ARE EXCLUDED AND WILL NOT BE PAID BY DELTA COMMERCIAL FAUCET DIVISION.

THIS IS THE EXCLUSIVE WARRANTY MADE BY DELTA COMMERCIAL FAUCET DIVISION WHICH DOES NOT MAKE ANY OTHER WARRANTY OF ANY KIND, INCLUDING ANY IMPLIED WARRANTIES OF MERCHANTABILITY OR FITNESS FOR A PARTICULAR PURPOSE.

Some states do not allow the exclusion or limitation of incidental or consequential damages, so the above limitation may not apply to you.

This warranty is for commercial products only from Delta Commercial Faucet Division and Cambridge Brass and is void for any damage to the product due to misuse, abuse, neglect, accident, improper installation, any use violative of instructions furnished by Delta Commercial Faucet Division or any use of replacement parts other than genuine Delta Commercial Faucet Division parts.